

CONTENTS

- Sheet 1:** Basic Information
- Sheet 2:** Scale Guide
- Sheet 3:** Bill of Materials
- Sheet 4:** Assembly to Post
- Sheet 5:** In Ground Installation
- Sheet 6:** Surface Mount Installation
- Sheet 7:** Portable Mount

INSTRUMENT INFO

- Notes:** 4 Pitches Varying by Color
- Petals:** Anodized Aluminum
- Frame:** HDPE
- Post:** Powder Coated Steel
- Mallet:** Standard Head 80 Durometer; 16" Cable

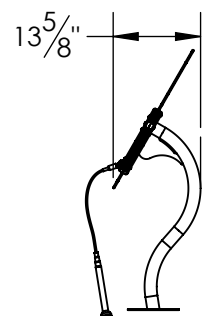
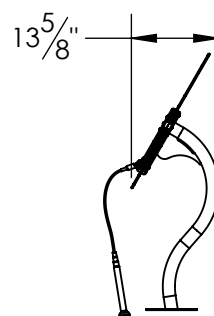
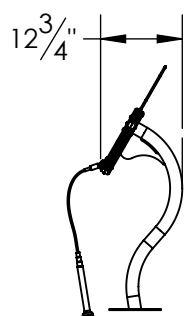
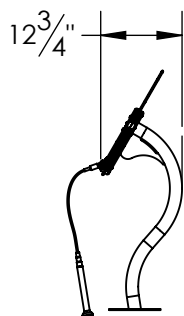
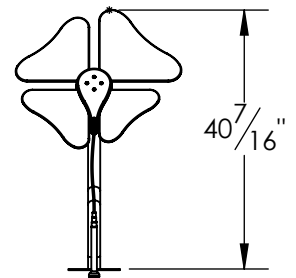
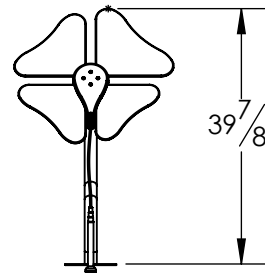
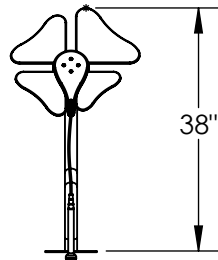
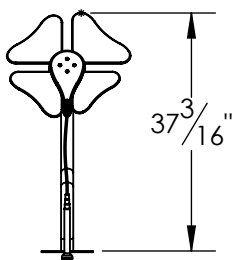
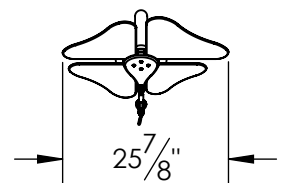
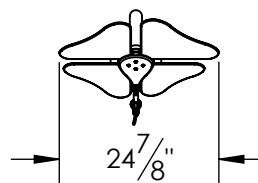
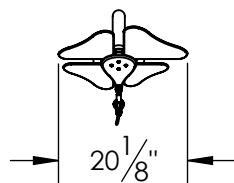
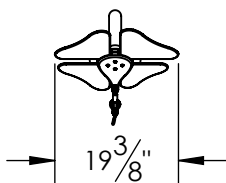


Turquoise

Orange

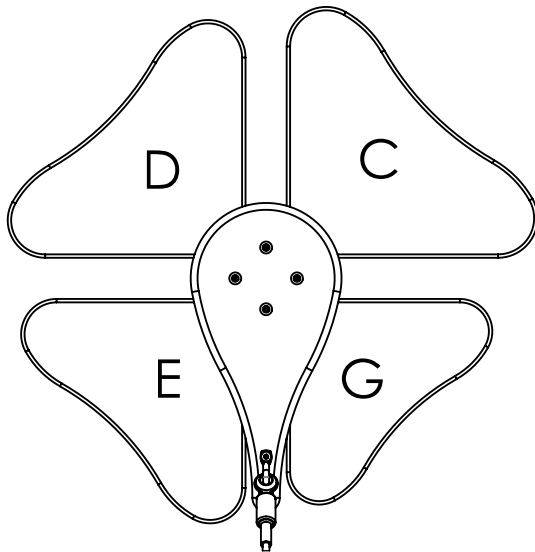
Indigo

Yellow

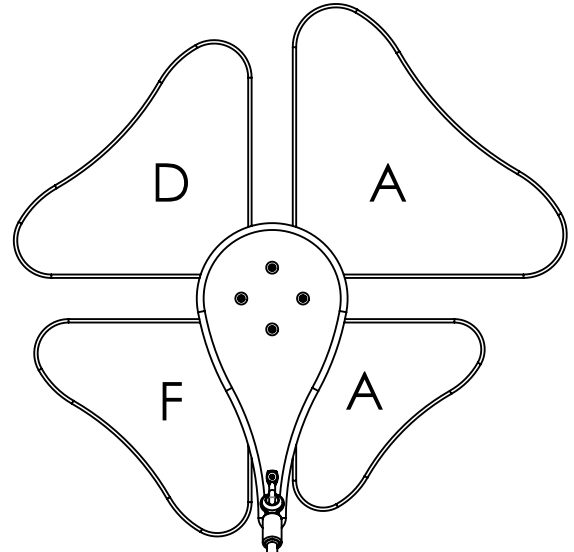


Flowers come in 4 different petal colors, each having a distinct set of 4 notes designed to harmonize both within their individual grouping as well as together in any combination.

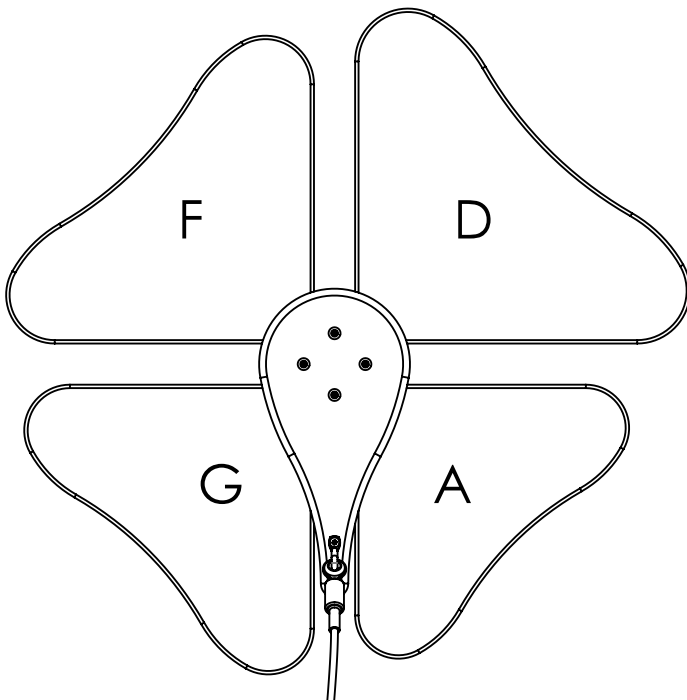
Turquoise



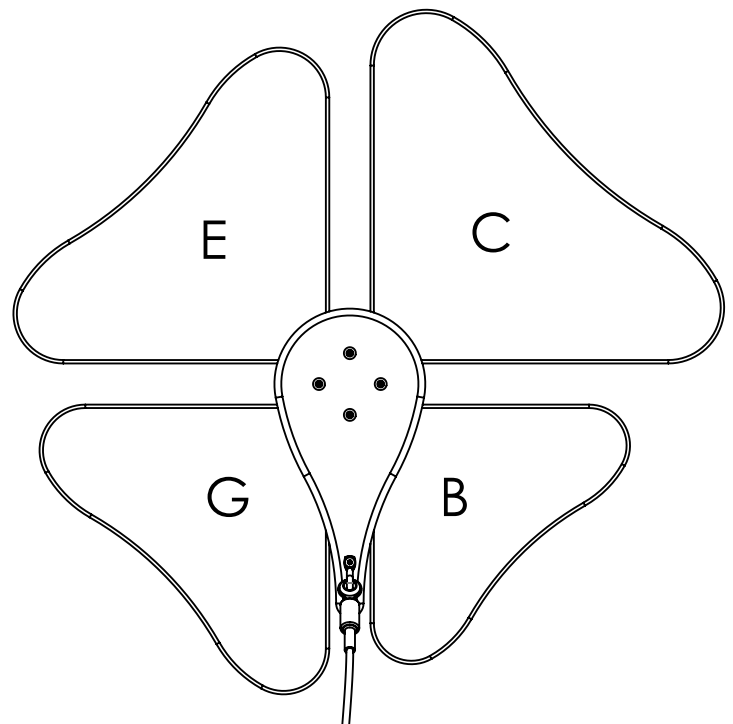
Orange



Indigo



Yellow



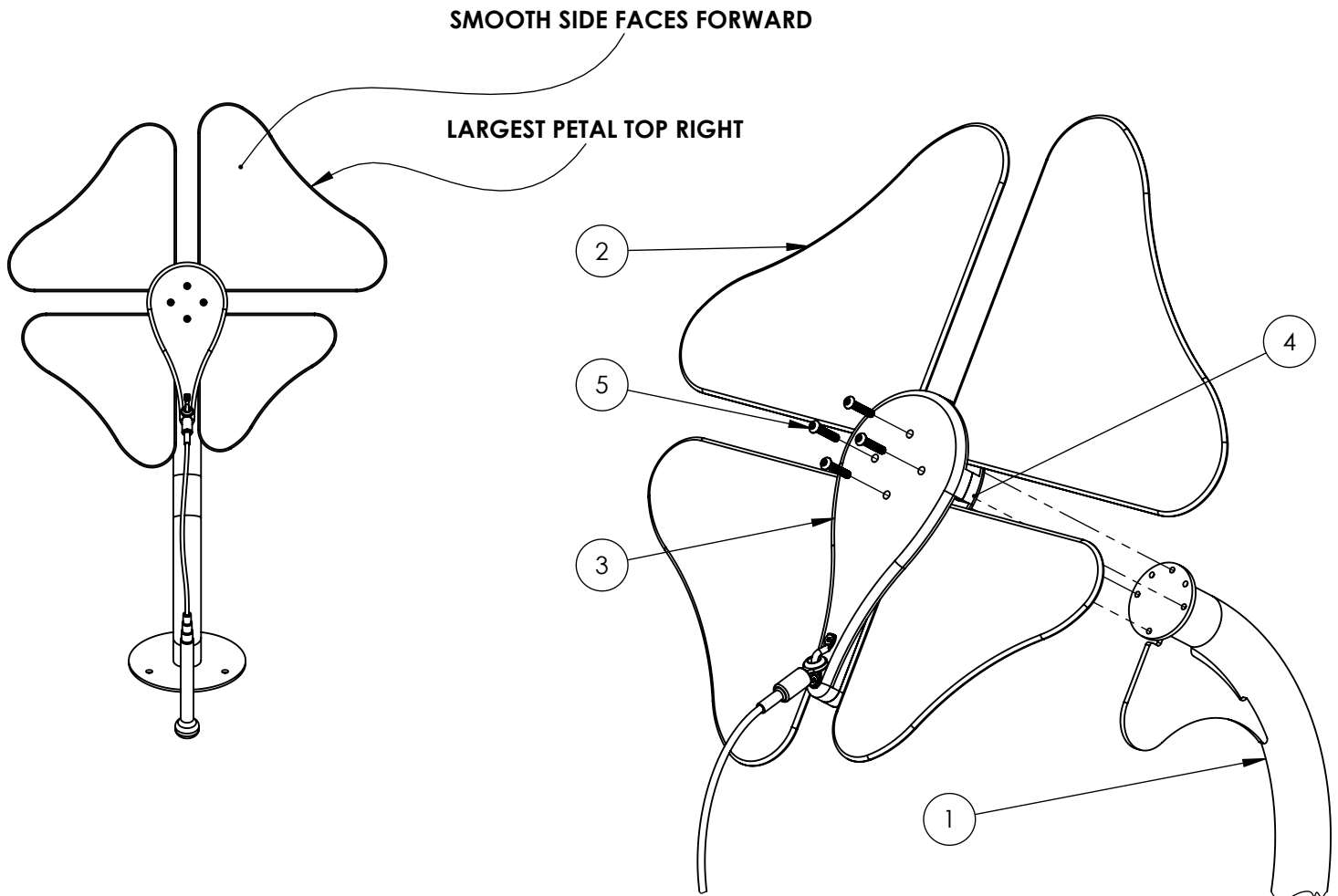
Individual Flowers vary by petal color and size, however, installation is identical. The following is hardware common to all mounting schemes.

PART NUMBER	DESCRIPTION	TURQUOISE	ORANGE	INDIGO	YELLOW
FWR-PETAL-1	Flower - Aluminum Petal Plate 1 (Turquoise)	1	-	-	-
FWR-PETAL-2	Flower - Aluminum Petal Plate 2 (Orange)	-	1	-	-
FWR-PETAL-3	Flower - Aluminum Petal Plate 3 (Indigo)	-	-	1	-
FWR-PETAL-4	Flower - Aluminum Petal Plate 4 (Yellow)	-	-	-	1
FWR_BFLY-POST-T-FP	Flower and Butterfly - Toddler Steel Post (Powder-coated)	1	1	1	1
FWR-PFG-T	Flower - HDPE Toddler Petal Front Guard (.75" Green)	1	1	1	1
FWR-PBG-T	Flower - HDPE Toddler Petal Back Guard (.75" Green)	1	1	1	1
25C125MBTS	1/4"-20 Button Head Screw, 1.25"lg. SS,T27 tamp	4	4	4	4

Step 1: Align the holes in the Petal Plate and Front Guard with those in the Post. **The largest petal should be oriented to the top right with the smooth side of the petal without indentations facing towards the front.**

Step 2: Apply two drops of Loctite to the ends of the threads on each 1/4"-20 Button Head Screw. With the T27 Driver fasten the Petal Plate with Guards to the Post by driving the 1/4"-20 Button Head Screws through one of the holes on the Front Guard, through the Petal Plate, and into the threaded hole on the Post. Drive slowly to prevent stripping the screw or threaded holes.

Step 3: After all the Screws have been threaded, go back and tighten them down until the head starts to sink into the face of the Front Guard.



ITEM NO.	PART NUMBER	DESCRIPTION	QTY.
1	FWR_BFLY-POST-T-FP	Flower and Butterfly - Toddler Steel Post (Powder-coated)	1
2	FWR-PETAL	Flower - Aluminum Petal Plate	1
3	FWR-PFG-T	Flower - HDPE Toddler Petal Front Guard (.75" Green)	1
4	FWR-PBG-T	Flower - HDPE Toddler Petal Back Guard (.75" Green)	1
5	25C125MBTS	1/4"-20 Button Head Screw, 1.25"lg. SS,T27 tamp	4
6	12263B	T27 Tamper Resistant Torx Driver	1
7	209728-12	Loctite Blue 242 Threadlocker	1

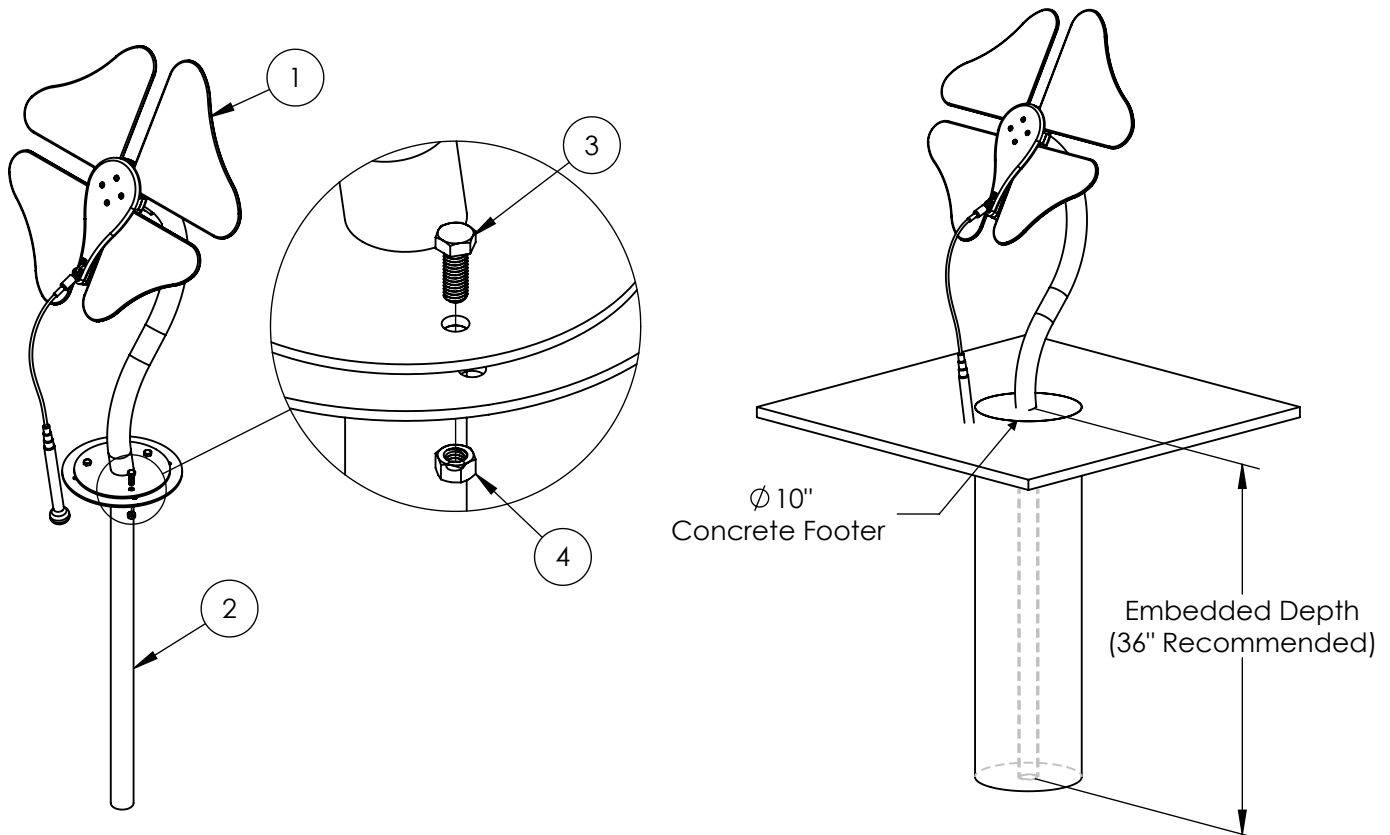
Step 1: Determine the desired installation location. Check for sufficient clearance around the instrument. A 36" perimeter from the edges of the instrument is recommended for wheelchair accessibility. **The smaller petals of the Turquoise and Orange Flowers fail to comply with ASTM F1487 and as such, these instruments are recommended for installation in a separate sound garden environment away from traditional playground equipment.**

Step 2: Apply a couple of drops of Loctite to the end of the threads on the 3/8"-16 Hex Head Screws. Attach the Instrument Pre-Assembly to the In Ground Post Extension by aligning the holes on each component and fastening them together with the (3) 3/8" Hex Head Screws and the (3) 3/8"-16 Hex Nuts.

Step 3: Excavate one 10" diameter hole, at least 36" deep, at the installation location. The depth of the hole or length of the In Ground Post Extension can be modified to achieve a shorter finished height if desired. Be sure to account for surfacing thickness if it is to be used.

For installations of the Indigo and Yellow Flowers targeting compliance with ASTM F1487: Note that baseplate mounting hardware must be covered by surfacing and finished mallet attachment height must not exceed 27" in order to maintain ASTM compliance.

Step 4: With two people, lower Instrument with Post Extension attached into the excavated hole. Verify correct orientation and levelness of the Instrument. Pour concrete around the Post Extension. If necessary, brace the Instrument to hold it rigid while the concrete cures. Leave to set according to the concrete manufacturers guidelines. Approximately (3) 80lb. bags will be needed.



ITEM NO.	PART NUMBER	DESCRIPTION	QTY.
1	FWR-BOM-T	Pre-Assembly - Toddler Flower Instrument	1
2	POST-STL-IG-EXT-FP	In Ground Steel Post Extension (Powder-coated)	1
3	92240A624	3/8"-16 Hex Head Screw, 1"lg. SS	3
4	HWN0095	3/8"-16 Hex Nut, SS	3

Step 1: Determine the desired installation location. Check for sufficient clearance around the instrument. A 36" perimeter from the edges of the instrument is recommended for wheelchair accessibility. **The smaller petals of the Turquoise and Orange Flowers fail to comply with ASTM F1487 and as such, these instruments are recommended for installation in a separate sound garden environment away from traditional playground equipment.** A concrete pad measuring a minimum of 24" x 24" x 6" thick is required. If a new pad is being poured, approximately (4) 80lb. bags will be needed. Allow concrete to cure per manufacturer's guidelines before continuing installation.

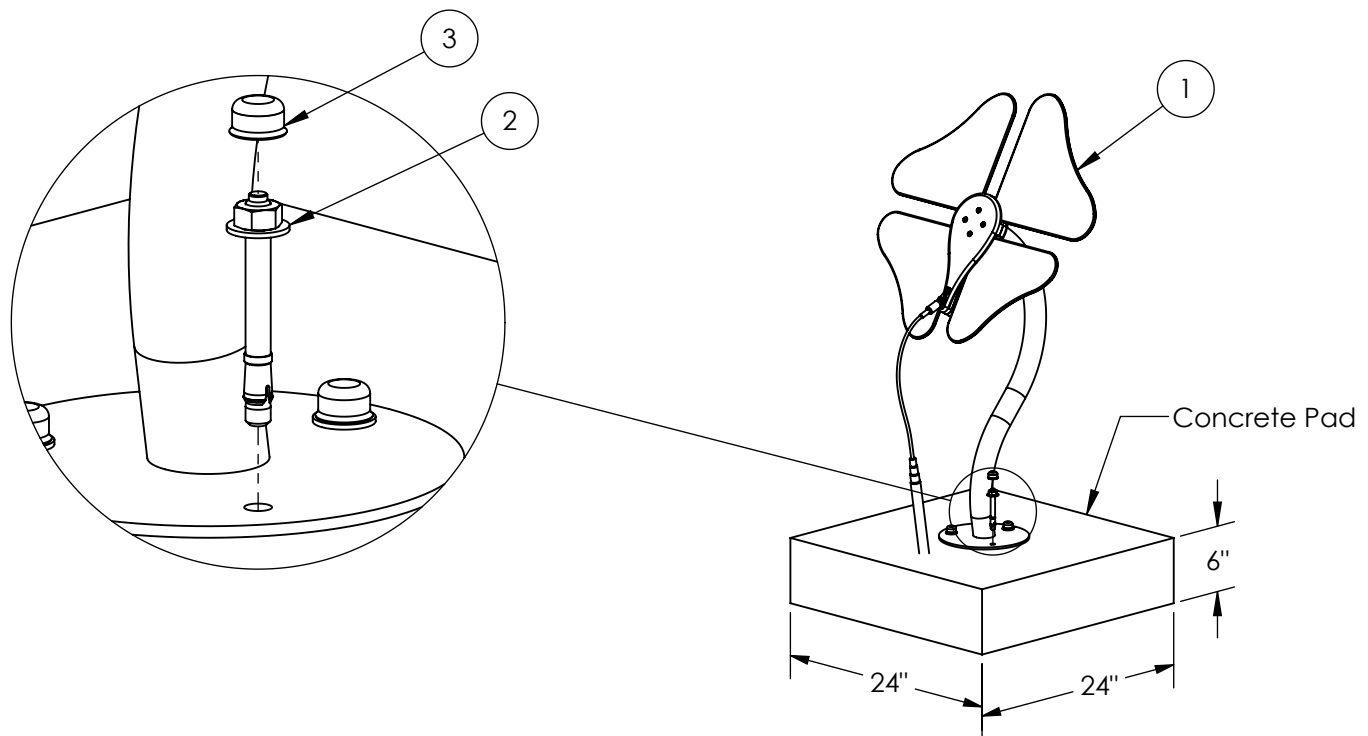
Heights listed are standard finished height for the Surface Mounted Flowers. If desired, shorter heights can be achieved by recessing the concrete pad below the finished surfacing. Be sure to account for surfacing thickness if it is to be used.

For installations of Indigo and Yellow Flowers targeting compliance with ASTM F1487: Note that baseplate mounting hardware must be covered by surfacing and finished mallet height must not exceed 27" in order to maintain ASTM compliance.

Step 2: With two people, place the Instrument Assembly onto the concrete pad and mark the center of the holes on the surface mount base. After you have made your marks, set aside the Instrument in order to drill for anchor holes. With a hammer or rotary drill, drill through the concrete at marked locations. Drill to a minimum depth of 4". A 3/8" masonry drill bit will be needed.

Step 3: Align the Instrument over the drilled holes. Insert provided anchor bolts and position anchor nut so that it is flush with the top of the bolt. Pound the anchor bolts into the hole until the anchor washer is flush with the surface mount base. Tighten anchor bolts until they are snug. Cover remaining bolt sections with provided nut caps.

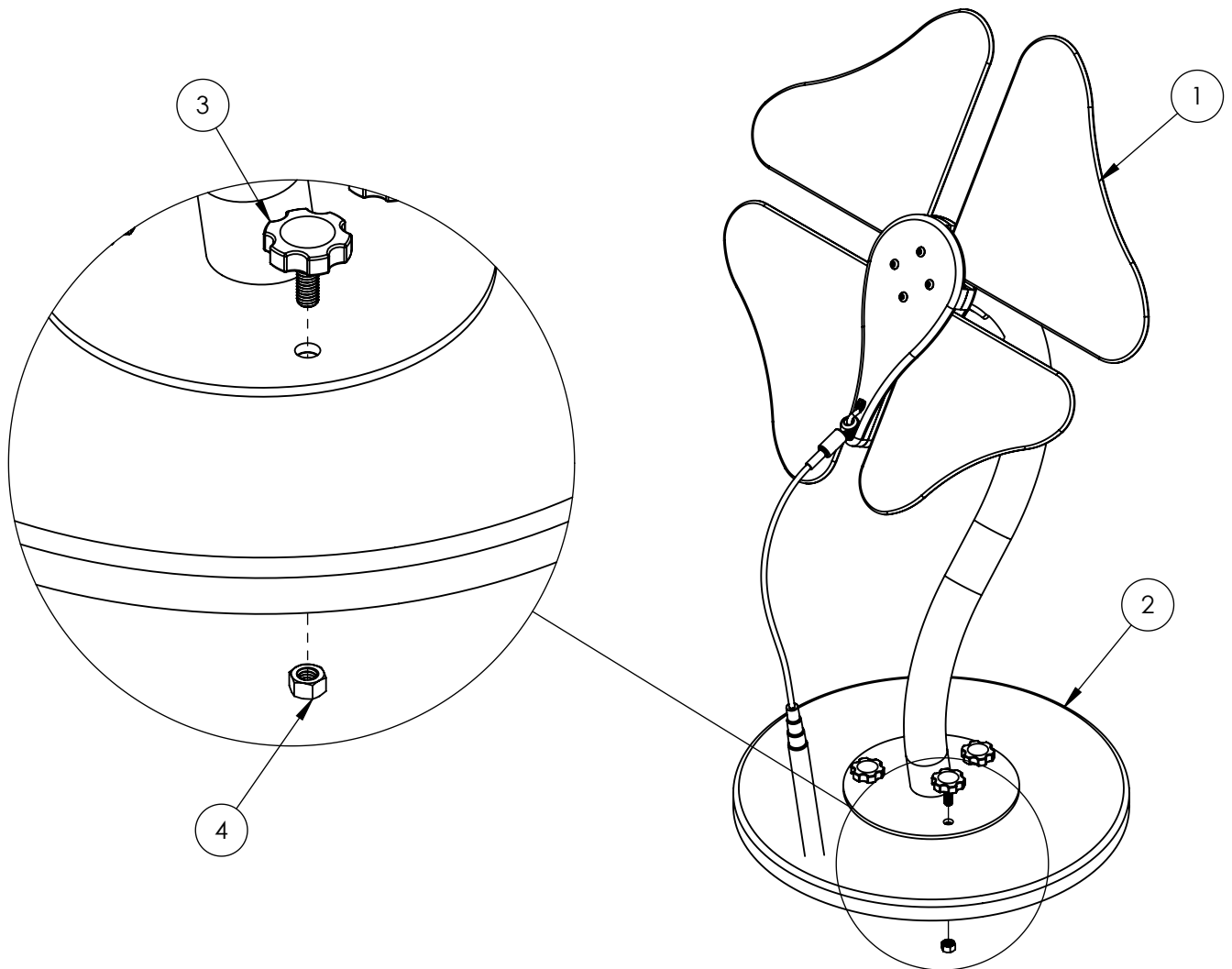
If installing onto wet concrete, follow the wet set anchor manufacturer's guidelines for installation.



ITEM NO.	PART NUMBER	DESCRIPTION	QTY.
1	FWR-BOM-T	Pre-Assembly - Toddler Flower Instrument	1
2	POW 07315	3/8"-16 Wedge Expansion Anchor, 3.75"lg. SS	3
3	9267K43	35/64" Hex Nut Cap	3

Step 1: Situate the Instrument Pre-Assembly onto the Portable Stand and align the holes in the baseplate.

Step 2: Secure the Instrument to the Portable Stand with the provided 3/8"-16 Thumb Screws, tightening until snug. The 3/8"-16 Hex Nuts come pressed into the Portable Stand from the Factory.



ITEM NO.	PART NUMBER	DESCRIPTION	QTY.
1	FWR-BOM-T	Pre-Assembly - Toddler Flower Instrument	1
2	FWR_BFLY-PM-PS	Flower and Butterfly - HDPE Portable Stand (1" Black)	1
3	91185A867	3/8"-16 Thumb Screw, 1"lg. SS	3
4	HWN0095	3/8"-16 Hex Nut, SS	3