

CONTENTS

- SHEET 1:** BASIC INFO
- SHEET 2:** BILL OF MATERIALS
- SHEET 3:** IN GROUND MOUNT
- SHEET 4:** SURFACE MOUNT
- SHEET 5:** PORTABLE MOUNT

INSTRUMENT INFO

- NOTES:** 3 DISTINCT TONES; LOW TO HIGH
- TIMBRE:** PERCUSSIVE
- RANGE:** BARITONE
- DRUM BODY:** LLDPE
- DRUM CAP:** ACRYLIC ALLOY
- FRAME:** HDPE
- POST:** POWDER COAT STEEL



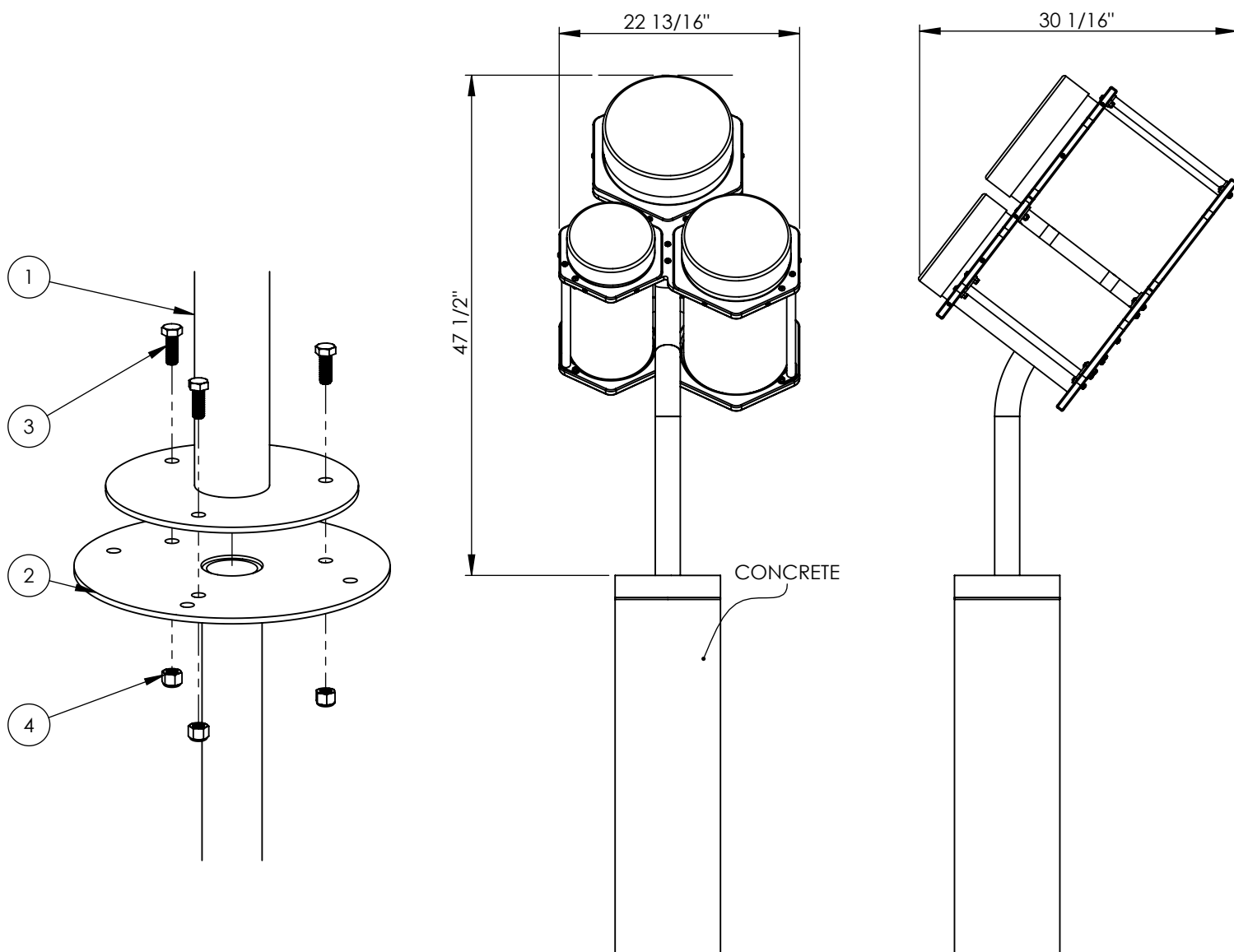
ITEM NO.	PART NUMBER	DESCRIPTION	HCC-IG	HCC-SM	HCC-PM
1	HCC-BOM	HONEYCOMB CONGAS BASE COMPONENTS	1	1	1
2	POST-STL-IG-EXT-FP	IN GROUND STEEL POST EXTENSION (POWDER-COATED)	1	-	-
3	92240A624	3/8"-16 HEX HEAD SCREW, 1"LG. SS	3	-	-
4	HWN0098	NUT 3/8" - NYLOCK 300 S/S	3	-	-
5	POW 07315	3/8"-16 WEDGE EXPANSION ANCHOR, 3.75"LG. SS	-	3	-
6	9267K43	35/64" HEX NUT CAP	-	3	-
7	MUSH-PM-PS	MUSHROOM - HDPE PORTABLE STAND (1" BLACK)	-	-	1
8	HWN0095	3/8"-16 HEX NUT, SS	-	-	3
9	91185A867	3/8"-16 THUMB SCREW, 1"LG. SS	-	-	3

Step 1: Attach the Instrument to the In Ground Post Extension by aligning the holes on it to those at the base of the instrument post and fastening them together with (3) 3/8" x 1" long Hex Head Screws and (3) 3/8"-16 Nylock Hex Nuts. Ensure there is no wobble or movement between the post and the extension.

Step 2: Excavate one 10" diameter hole, 36" deep, at the installation location. Check for sufficient clearance around the Instrument, a 36" perimeter around the Instrument is recommended for wheelchair accessibility.

Step 3: With two people, lower the post with post extension attached into the excavated hole. Verify correct placement and levelness.

Step 4: Pour concrete around the In Ground Extension. If necessary, brace the post to hold it rigid while the concrete cures. Leave to set according to the concrete manufacturers guidelines. Approximately (3) 80lb. bags will be needed.

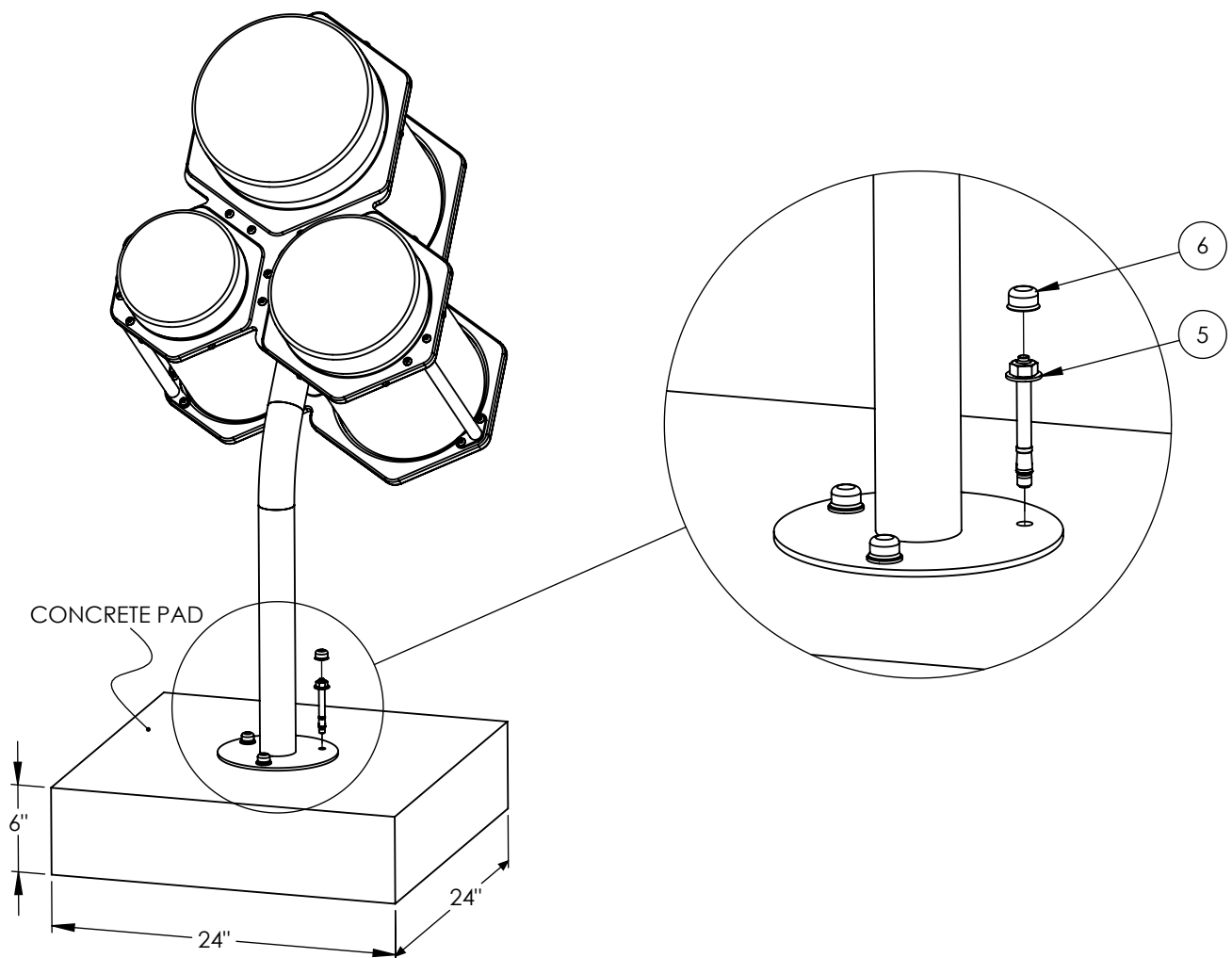


Step 1: Determine installation location. A 36" perimeter around the Instrument is recommended for wheelchair accessibility. Verify concrete pad is a minimum of 24" long x 24" wide x 6" thick. If the concrete pad is at an angle, steel washers are required to act as shims (Shims not provided). If there is not already an existing pad, approximately (4) 80lb. bags will be needed. Allow concrete to cure per concrete manufacturers guidelines.

Step 2: With two people, place the Instrument Assembly onto the concrete pad and mark the center of the holes on the surface mount base. After you have made your marks, set aside the Instrument in order to drill for anchor holes. With a hammer or rotary drill, drill through concrete at marked locations. Drill to a minimum depth of 4". A 3/8" masonry drill bit will be needed.

Step 3: Place the Instrument back over the drilled out holes. Insert provided anchor bolts into aligned holes. Position anchor nut so that it is flush with the top of the bolt. Pound anchor bolts into the hole until the anchor washer is flush with the surface mount base. Tighten anchor bolts until they are snug. Cover remaining bolt sections with provided nut caps.

If installing onto wet concrete, us the wet set anchor manufacturers guidelines for installation procedures.



Step 1: With two people, situate the instrument onto the portable stand and align the holes in the base of the post.

Step 2: While one person holds the instrument steady, secure the instrument to the portable stand with the provided 3/8"-16 thumb screws. The 3/8"-16 Hex Nuts come pressed into the Portable Stand from the Factory.

Thumb screw tightness should be checked periodically as they may loosen during movement or play.

