

CONTENTS

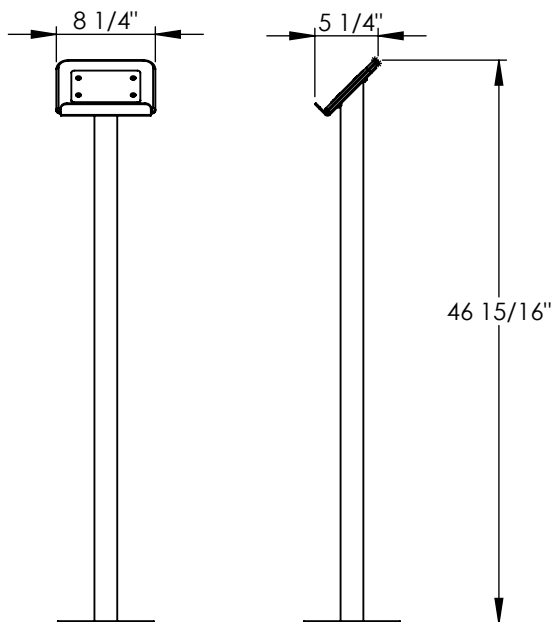
- SHEET 1:** Basic Information
- SHEET 2:** Bill of Materials
- SHEET 3:** In Ground Mount
- SHEET 4:** Surface Mount
- SHEET 5:** Portable Mount

MATERIALS

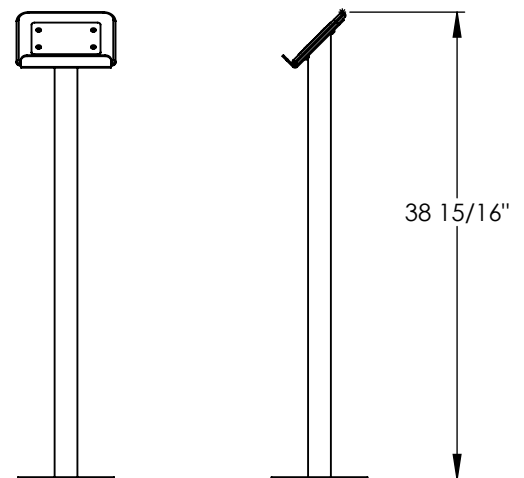
- POST:** Powder Coated Steel
- FRAME:** HDPE
- PLACARD:** Aluminum



STANDARD HEIGHT



TODDLER HEIGHT



Harmony Method Device Stand (Bill of Materials) Installation Guide

The Harmony Method Device Stand is offered in standard and toddler heights. Installation is identical for both height variants.

In Ground

PART NUMBER	DESCRIPTION	QTY.
HM-STAND	HARMONY METHOD STAND PRE-ASSEMBLY	1
POST-STL-IG-EXT-FP	IN GROUND STEEL POST EXTENSION (POWDER-COATED)	1
92240A624	3/8"-16 HEX HEAD SCREW, 1"LG. SS	3
HWN0098	NUT 3/8" - NYLOCK 300 S/S	3

Surface Mount

PART NUMBER	DESCRIPTION	QTY.
HM-STAND	HARMONY METHOD STAND PRE-ASSEMBLY	1
POW 07315	3/8"-16 WEDGE EXPANSION ANCHOR, 3.75"LG. SS	3
9267K43	35/64" HEX NUT CAP	3

Portable Mount

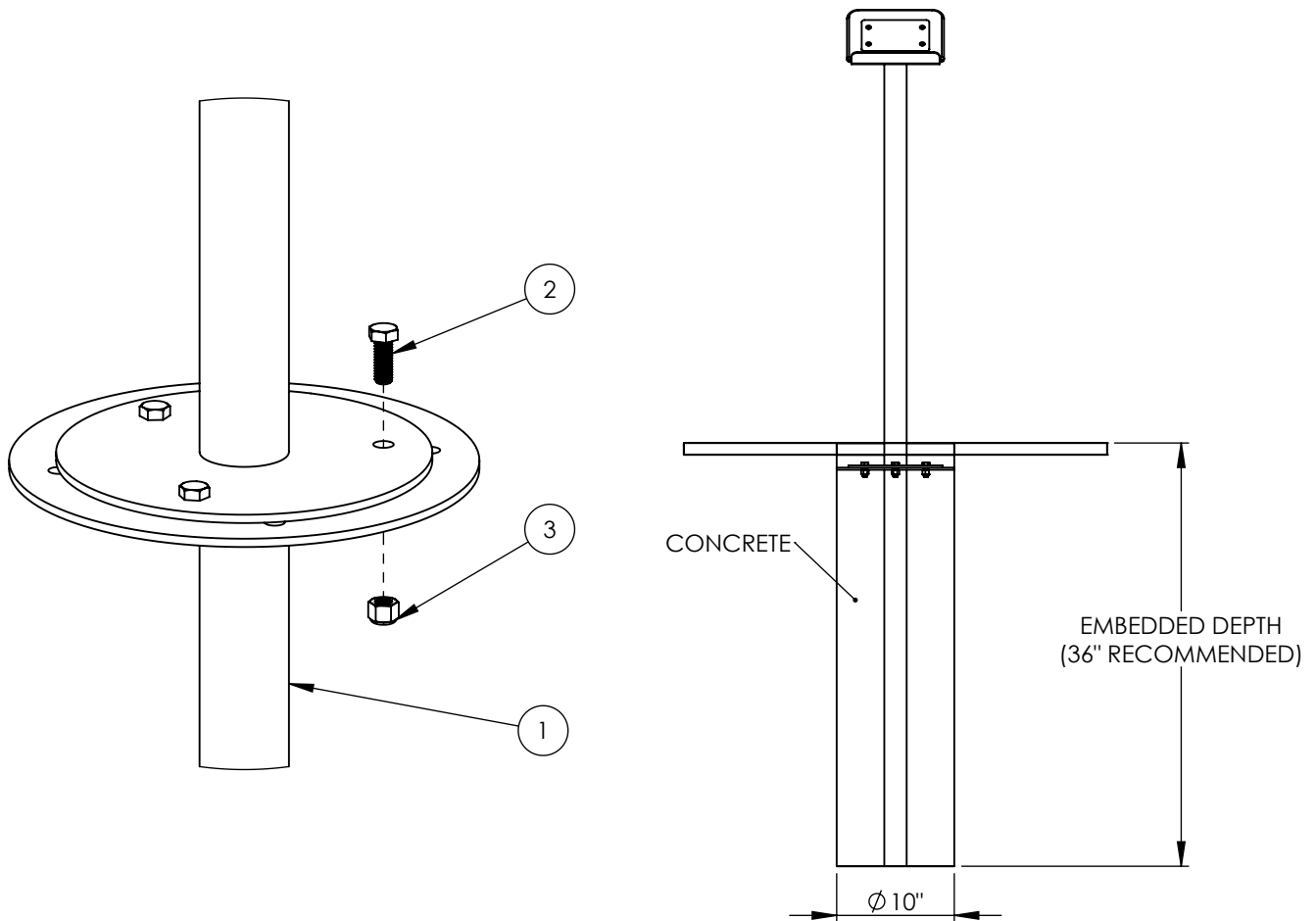
PART NUMBER	DESCRIPTION	QTY.
HM-STAND	HARMONY METHOD STAND PRE-ASSEMBLY	1
FWR_BFLY-PM-PS	FLOWER AND BUTTERFLY - HDPE PORTABLE STAND (1" BLACK)	1
HWN0095	3/8"-16 HEX NUT, SS	3
91185A867	3/8"-16 THUMB SCREW, 1"LG. SS	3

Step 1: Attach the Device Stand to the In Ground Post Extension by aligning the holes on the extension to those at the base of the stand and fastening them together with (3) 3/8" x 1" long Hex Head Screws and (3) 3/8"-16 Nylock Hex Nuts. Ensure there is no wobble or movement between the post and the extension.

Step 2: Determine the installation location. Ensure that the stand is easily visible under normal playing conditions for whatever instrument it is accompanying. **NOTE: In order to eliminate potential entrapment hazard, the stand must have at least 9" of clearance to the instrument at the closest point.** Excavate one 10" diameter hole, 36" deep, at the installation location.

Step 3: With two people, lower the stand with post extension attached into the excavated hole. Verify correct placement and levelness.

Step 4: Pour concrete around the post extension. If necessary, brace the stand to hold it rigid while the concrete cures. Leave to set according to the concrete manufacturers guidelines. Approximately (3) 80lb. bags will be needed.



ITEM NO.	PART NUMBER	DESCRIPTION	QTY.
1	POST-STL-IG-EXT-FP	IN GROUND STEEL POST EXTENSION (POWDER-COATED)	1
2	92240A624	3/8"-16 HEX HEAD SCREW, 1"LG. SS	3
3	HWN0098	NUT 3/8" - NYLOCK 300 S/S	3

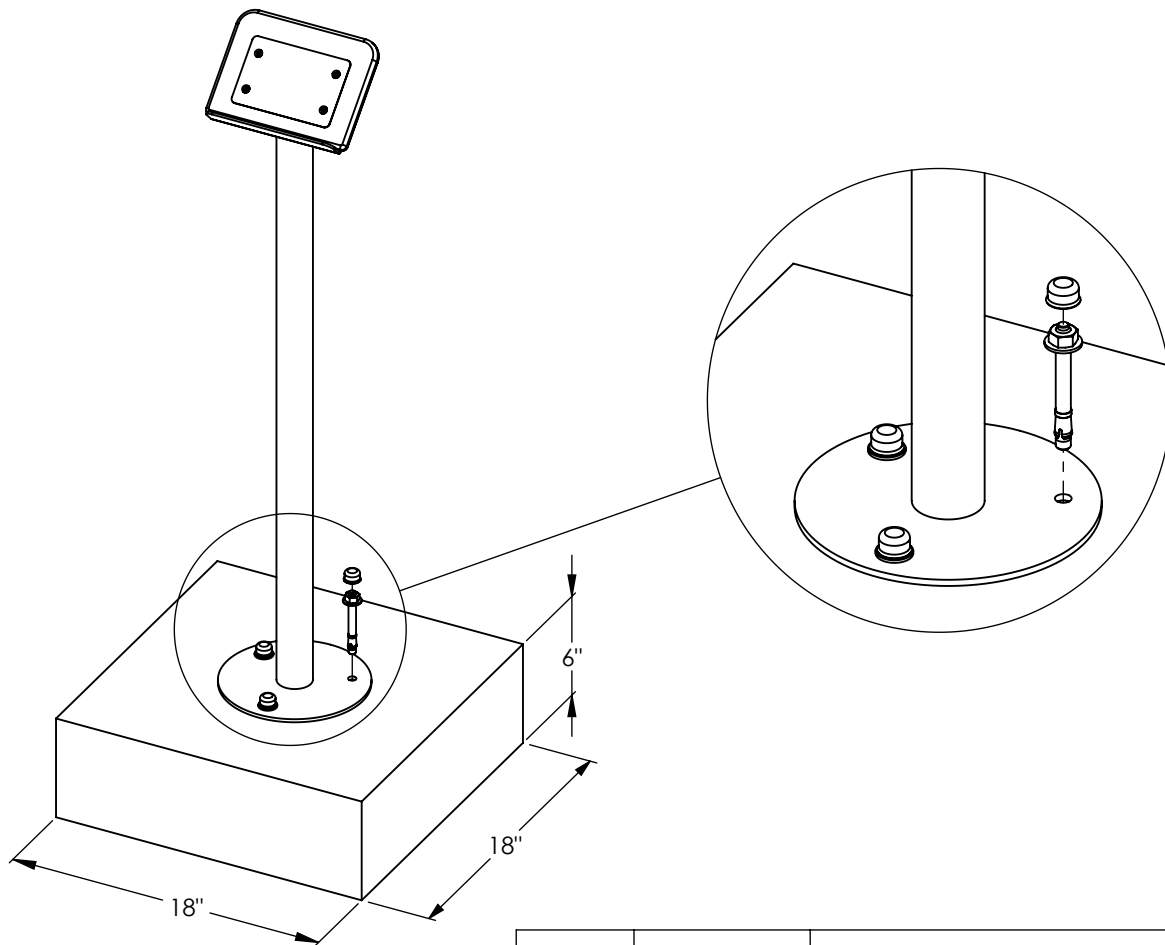
Harmony Method Device Stand (Surface Mount) Installation Guide

Step 1: Determine the installation location. Ensure that the stand is easily visible under normal playing conditions for whatever instrument it is accompanying. **NOTE: In order to eliminate potential entrapment hazard, the stand must have at least 9" of clearance to the instrument at the closest point.** Verify concrete pad is a minimum of 18" long x 18" wide x 6" thick. If a new pad is being poured, approximately (3) 80lb. bags will be needed. Allow concrete to cure per concrete manufacturers guidelines.

Step 2: With two people, place the Stand Assembly onto the concrete pad and mark the center of the holes on the surface mount base. After you have made your marks, set aside the stand in order to drill for anchor holes. With a hammer or rotary drill, drill through concrete at marked locations. Drill to a minimum depth of 4" using a 3/8" masonry drill bit.

Step 3: Place the stand back over the drilled holes. Insert the provided anchor bolts into the aligned holes. Position each anchor nut so that it is flush with the top of the bolt. Pound anchor bolts into the hole until the anchor washer is flush with the surface mount base. Tighten anchor bolts until they are snug. Cover remaining bolt heads with provided nut caps.

If installing onto wet concrete, us the wet set anchor manufacturers guidelines for installation procedures.



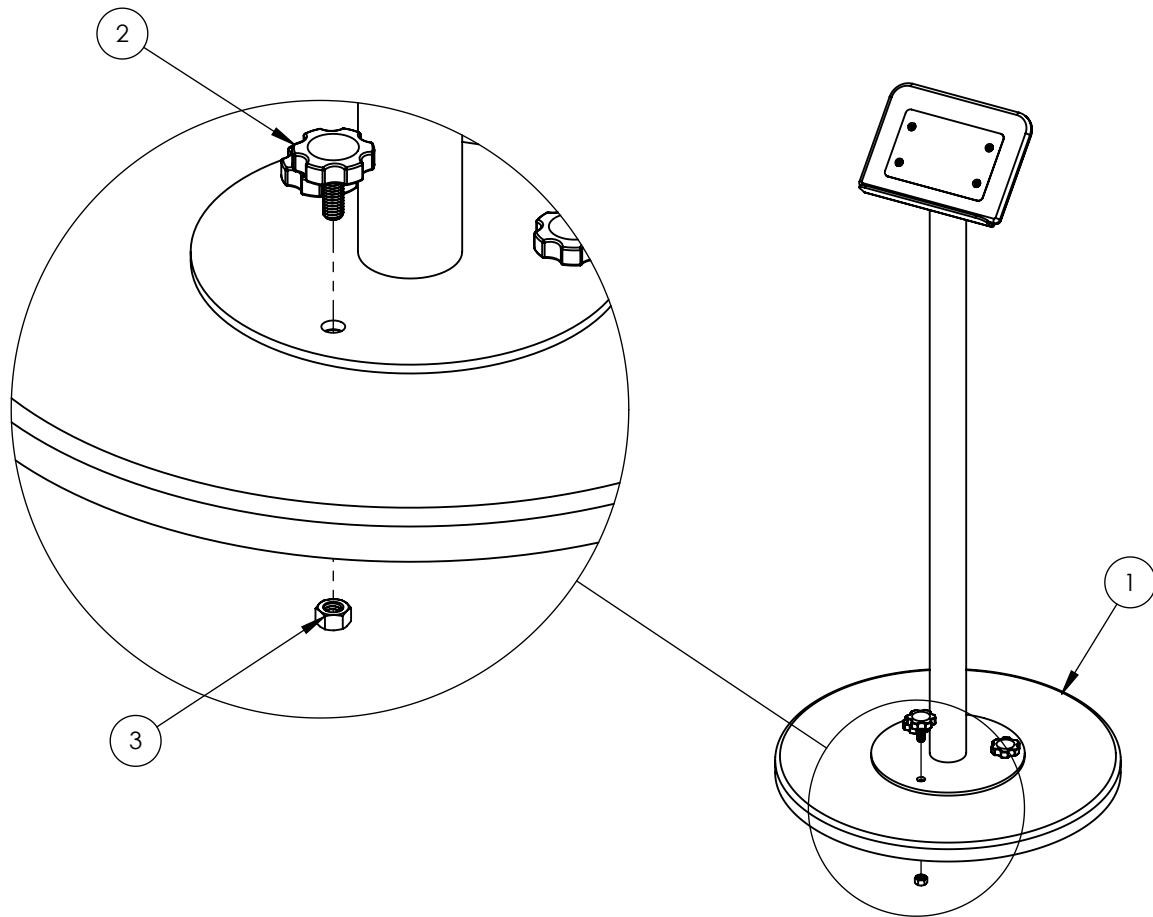
ITEM NO.	PART NUMBER	DESCRIPTION	QTY.
1	POW 07315	3/8"-16 WEDGE EXPANSION ANCHOR, 3.75"LG. SS	3
2	9267K43	35/64" HEX NUT CAP	3

Harmony Method Device Stand (Portable Mount) Installation Guide

Step 1: Situate the Stand Assembly onto the portable base and align the holes in the mounting plate.

Step 2: Secure the instrument to the portable base with the provided 3/8"-16 Thumb Screws, tightening until snug. The 3/8"-16 Hex Nuts come pressed into the Portable Stand from the Factory.

Thumb screw tightness should be checked periodically as they may loosen during movement or play.



ITEM NO.	PART NUMBER	DESCRIPTION	QTY.
1	FWR_BFLY-PM-PS	FLOWER AND BUTTERFLY - HDPE PORTABLE STAND (1" BLACK)	1
2	91185A867	3/8"-16 THUMB SCREW, 1"LG. SS	3
3	HWN0095	3/8"-16 HEX NUT, SS	3