

CONTENTS

SHEET 1: BASIC INFO
SHEET 2: BILL OF MATERIALS
SHEET 3: ATTACHMENT TO POST
SHEET 4: FREESTANDING, IN GROUND MOUNT
SHEET 5: FREESTANDING, SURFACE MOUNT
SHEET 6: FREESTANDING, PORTABLE MOUNT
SHEET 7: WALL MOUNT, CONCRETE AND BRICK
SHEET 8: WALL MOUNT, WOODEN FENCE
SHEET 9: WALL MOUNT, CHAIN LINK FENCE

INSTRUMENT INFO

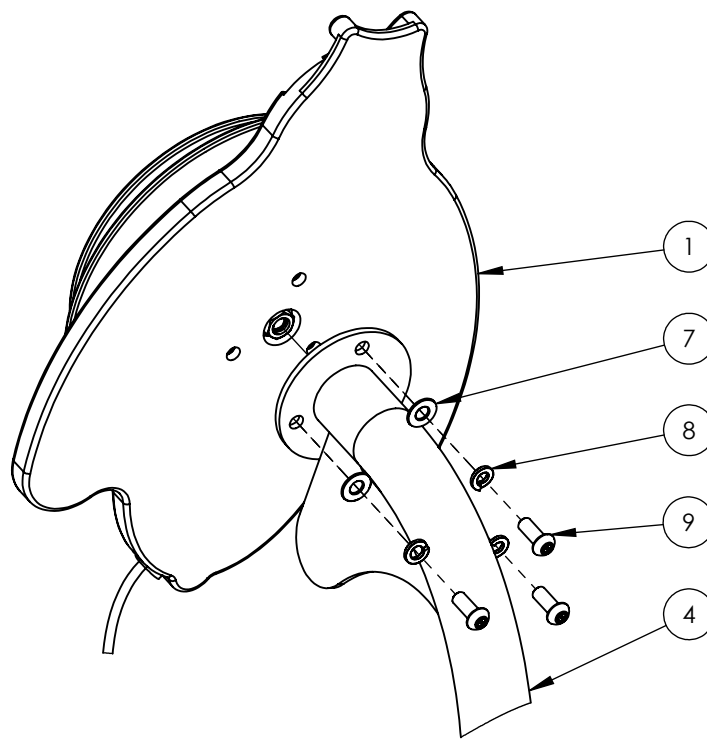
SCALE: A, C, AND D POWER CHORDS
NOTES: A CHORD: A,E; C CHORD: C,G; D CHORD: D,A
TIMBRE: CRISP/BELL
RANGE: ALTO
BELLS: ANODIZED ALUMINUM
FRAME: POWDER COATED STEEL
SPACERS: LDPE
HARDWARE: STAINLESS STEEL
FRAME: HDPE
MALLETS FREESTANDING: MA-80BLK-22
MALLETS WALL MOUNT: MA-TBEL-22



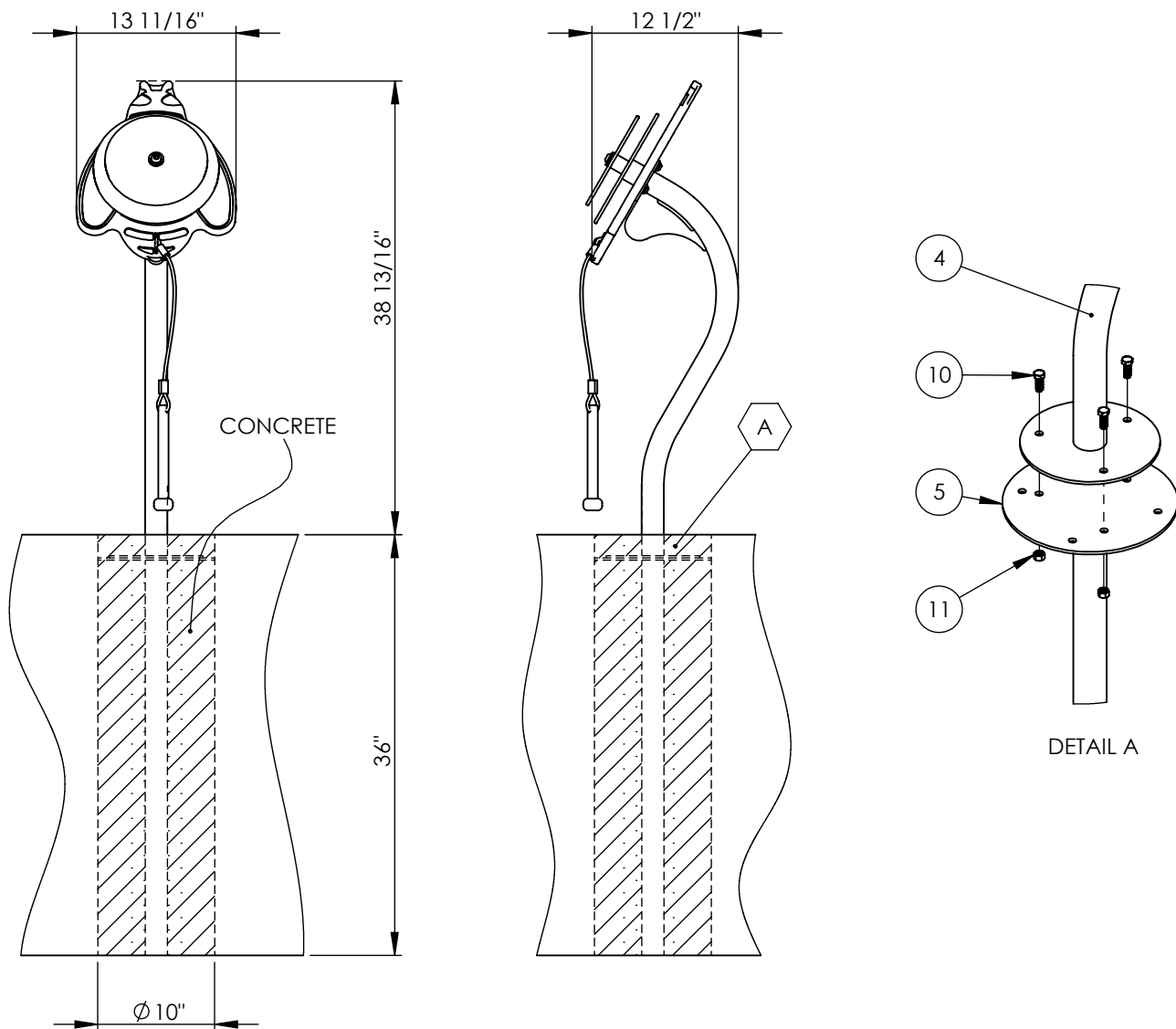
FREESTANDING										
ITEM NO.	DESCRIPTION	BEE-A-IG	BEE-C-IG	BEE-D-IG	BEE-A-SM	BEE-C-SM	BEE-D-SM	BEE-A-PM	BEE-C-PM	BEE-D-PM
1	BEE-A NOTE-FREESTANDING	1	-	-	1	-	-	1	-	-
2	BEE-C NOTE-FREESTANDING	-	1	-	-	1	-	-	1	-
3	BEE-D NOTE-FREESTANDING	-	-	1	-	-	1	-	-	1
4	MELODY BEES-STEEL POST (POWDER-COATED)	1	1	1	1	1	1	1	1	1
5	IN GROUND STEEL POST EXTENSION (POWDER-COATED)	1	1	1	-	-	-	-	-	-
6	FLOWER AND BUTTERFLY - HDPE PORTABLE STAND (1" BLACK)	-	-	-	-	-	-	1	1	1
7	SS WASHER FOR 3/8" BOLTS	3	3	3	3	3	3	3	3	3
8	SS LOCK WASHER FOR 3/8" BOLTS	3	3	3	3	3	3	3	3	3
9	BOLT - 3/8"-16 X 1" SECURITY TORX WITH PATCH	3	3	3	3	3	3	3	3	3
10	3/8"-16 HEX HEAD SCREW, 1"LG. SS	3	3	3	-	-	-	-	-	-
11	3/8"-16 HEX NUT, SS	3	3	3	-	-	-	3	3	3
12	3/8"-16 WEDGE EXPANSION ANCHOR, 3.75"LG. SS	-	-	-	3	3	3	-	-	-
13	35/64" HEX NUT CAP	-	-	-	3	2	2	-	-	-
14	3/8"-16 THUMB SCREW, 1"LG. SS	-	-	-	-	-	-	3	3	3

WALL MOUNT				
ITEM NO.	DESCRIPTION	BEE-A-WM	BEE-C-WM	BEE-D-WM
15	BEE-A NOTE-WALL MOUNT	1	-	-
16	BEE-C NOTE-WALL MOUNT	-	1	-
17	BEE-D NOTE-WALL MOUNT	-	-	1
18	BEE-HDPE BACKER-3/4" YELLOW/BLACK/YELLOW HDPE	3	3	3
19	BOLT - 3/8"-16 X 1-3/4" SECURITY TORX WITH PATCH	3	3	3
20	2-3/4" LG 1/4" SCREWS FOR CONCRETE, BRICK, AND BLOCK 410 SS	3	3	3
21	3/8" -16 BARREL NUT TORX PIN 302 STAINLESS	3	3	3
22	0.75" LG 0.385" ID 0.75" OD LDPE SPACER	3	3	3
23	0.406" ID 0.812" OD 18-8 SS SAE WASHER	3	3	3
24	0.4879" OD 0.26" ID SS SPLIT LOCK WASHER	3	3	3
25	SS LOCK WASHER FOR 3/8" BOLTS	3	3	3
26	5/8" OD 18-8 SS WASHER FOR 1/4" BOLTS	3	3	3
27	ZINC ALLOY TAPPING INSERTS FOR SOFTWOOD	3	3	3

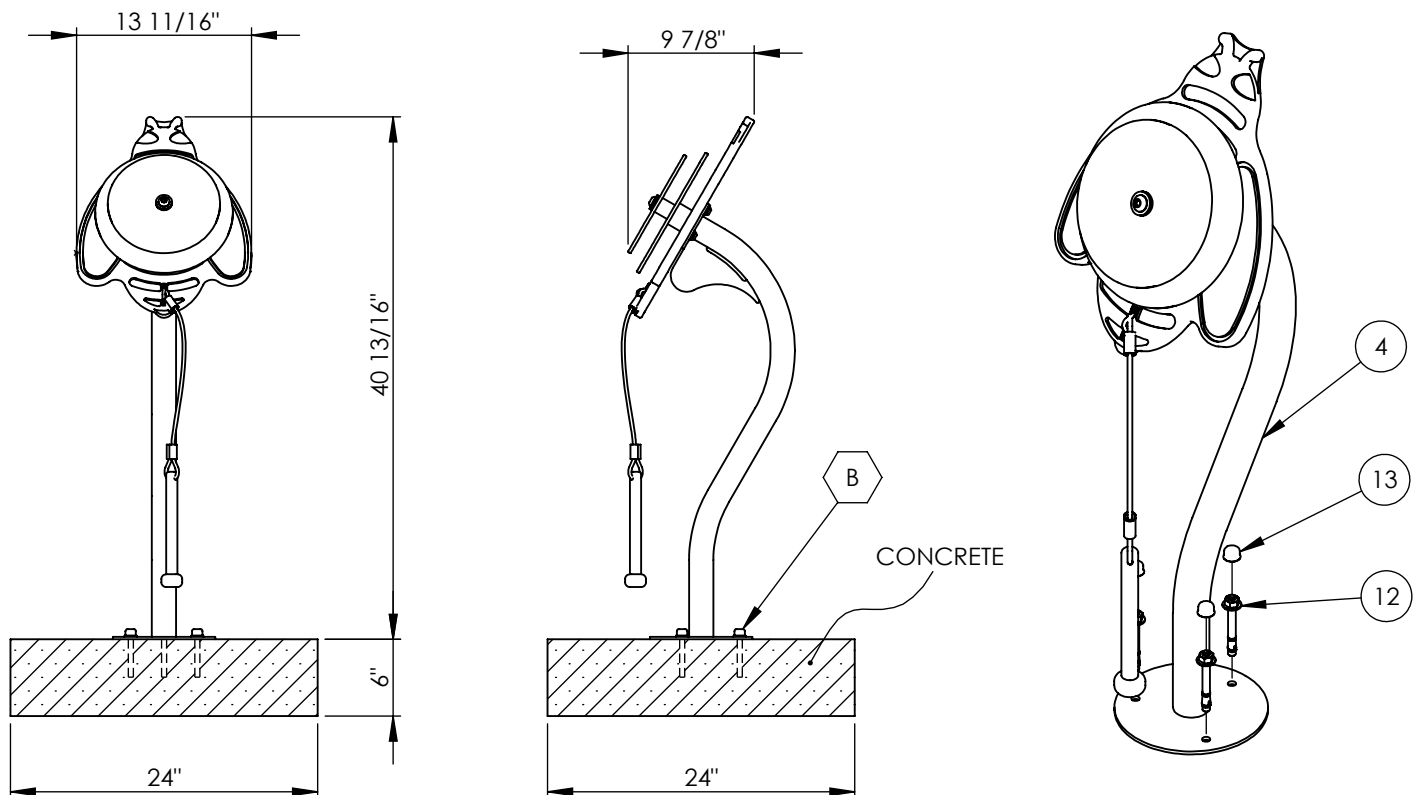
(FREESTANDING ONLY) USING THE IMPACT DRIVER AND T45 TAMPER RESISTANT TORX BIT, FASTEN THE BEE TO THE POST USING THE 3/8" FLAT WASHERS, 3/8" LOCK WASHERS, AND 3/8" 1" LONG TAMPER RESISTANT TORX BOLTS. BOLTS HAVE THREAD LOCKER PRE-ATTACHED FOR A FIRM HOLD.



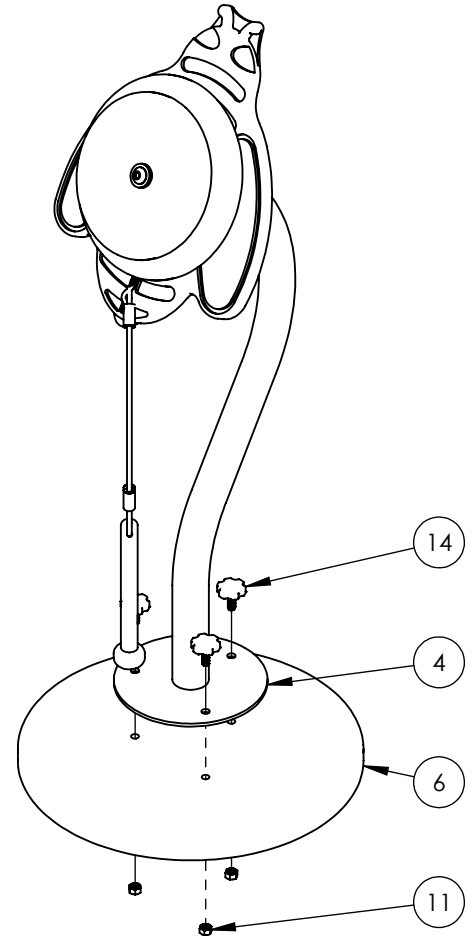
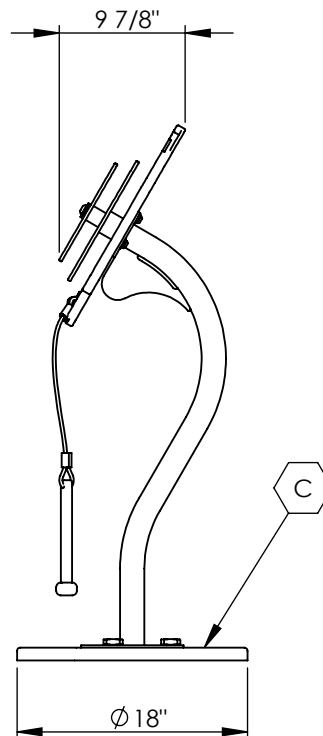
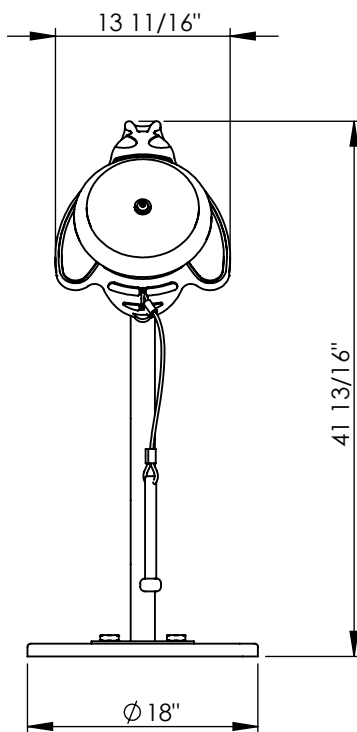
1. Attach the Instrument Pre-Assembly to the In Ground Post Extension by aligning the holes on each component and fastening them together with the (3) 3/8" Hex Head Screws and the (3) 3/8"-16 Hex Nuts.
2. Excavate one 10" diameter hole, 36" deep, at the installation location.
3. With two people, lower instrument with post extension attached into the excavated hole. Verify correct placement and levelness of the Instrument. Check for sufficient clearance around the Instrument, a 36" perimeter around the Instrument is recommended for wheelchair accessibility.
4. Lastly, pour concrete around the In Ground Extension. If necessary, brace the Instrument to hold it rigid while the concrete cures. Leave to set according to the concrete manufacturers guidelines. Approximately (3) 80lb. bags will be needed.



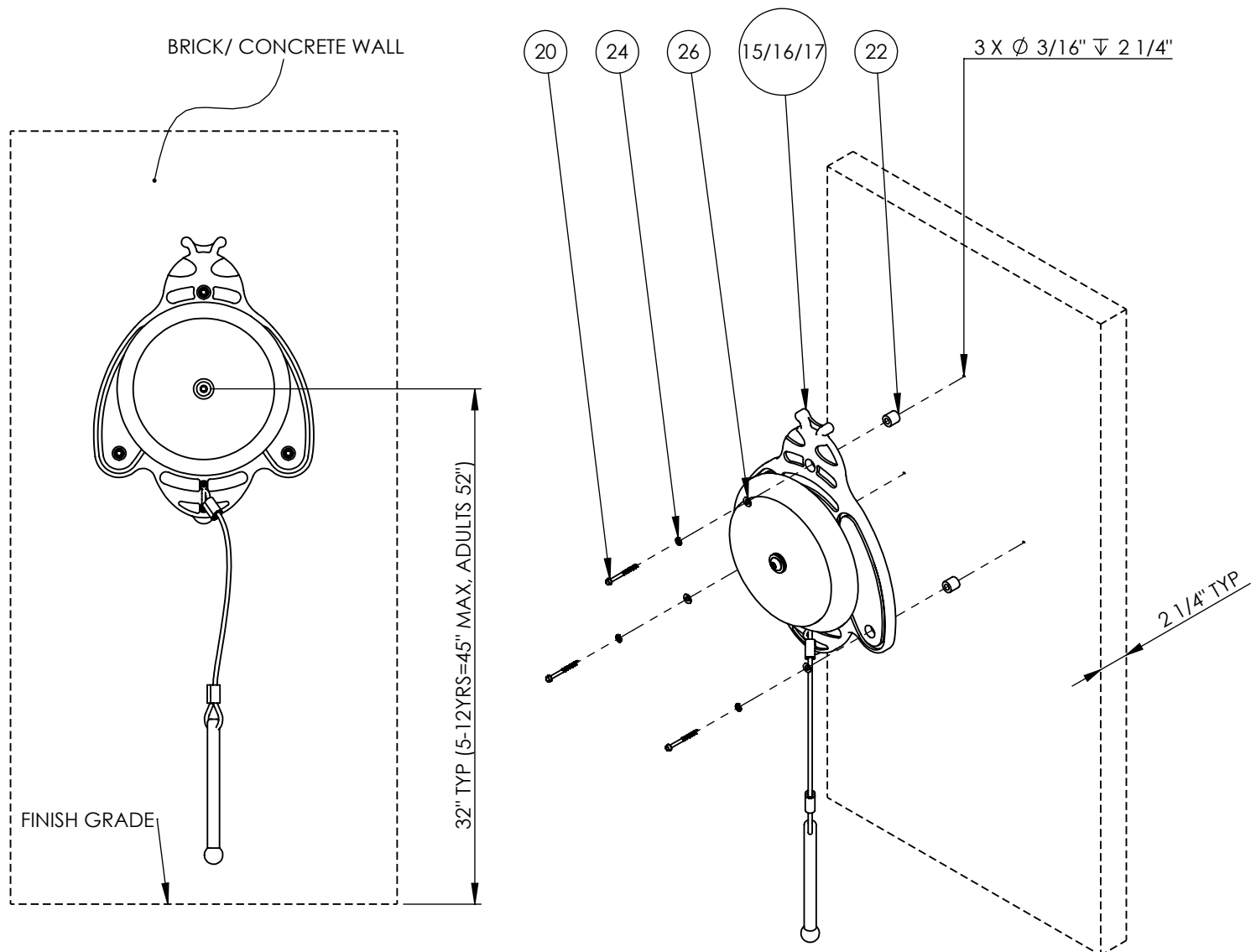
1. Determine installation location. Verify concrete pad is a minimum of 24" long x 24" wide x 6" thick. If the concrete pad is at an angle, steel washers are required to act as shims (Shims not provided). If there is not already an existing pad, approximately (4) 80lb. bags will be needed. Allow concrete to cure per concrete manufacturers guidelines.
2. With two people place the Instrument Assembly onto the concrete pad and mark the center of the holes on the surface mount base. After you have made your marks, set aside the Instrument in order to drill for anchor holes. With a hammer or rotary drill, drill through concrete at marked locations. Drill to a minimum depth of 4". A 3/8" masonry drill bit will be needed.
3. Place the Instrument back over the drilled out holes. Insert provided anchor bolts into aligned holes. Position anchor nut so that it is flush with the top of the bolt. Pound anchor bolts into the hole until the anchor washer is flush with the surface mount base. Tighten anchor bolts until they are snug. Cover remaining bolt sections with provided nut caps.
4. Verify the correct placement, levelness, and finished height of the Instrument. Check for sufficient clearance around the Instrument, a 36" perimeter around the Instrument is recommended for wheelchair accessibility.
5. If installing onto wet concrete, us the wet set anchor manufacturers guidelines for installation procedures.



1. With two people have one situate the instrument onto the portable stand and align the holes.
2. Have the second person secure the instrument to the portable stand with the provided 3/8"-16 thumb screws. Thumb screws should be tightened snugly to prevent any raddling during play. The 3/8"-16 Hex Nuts are prepressed into the Portable Stand from the Factory.

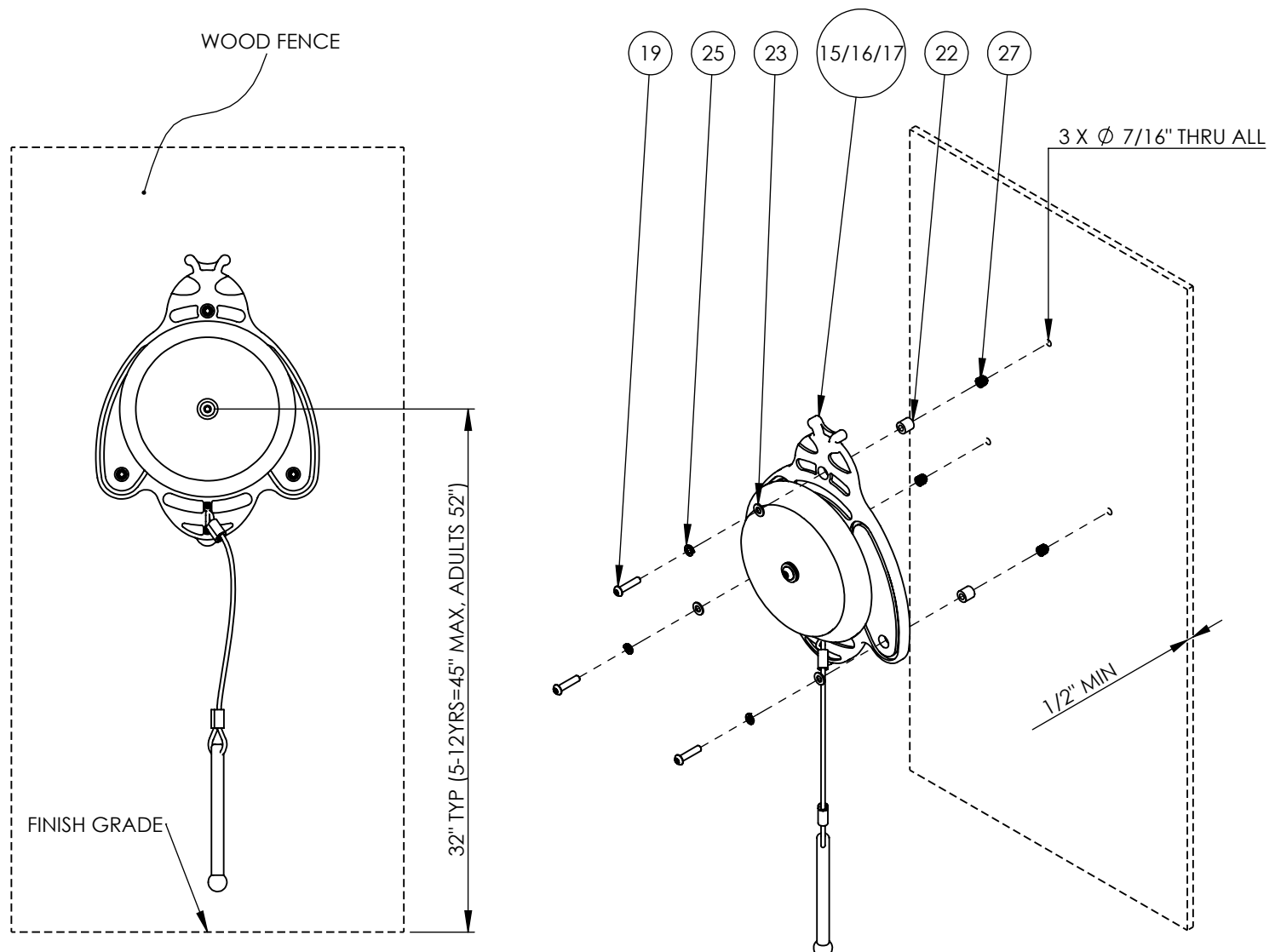


1. With two people have one hold the instrument in the desired mounting location and have the other mark hole locations with a marker. For users ages 2-5 years, mount the instrument (center) 32" above finish grade. For users ages 5-12 years, mount the instrument 45" above finish grade. For Adults, mount the instrument 52" above finish grade. Adjustments to mounting height may be made for special populations. The instrument may be rotated slightly for a more dynamic appearance.
 2. At the marked locations, use a hammer or rotary drill to drill (3) 3/16" holes 2.25" deep minimum into the concrete or brick. Do not overdrill the holes, as this will lead to a less secure hold.
- Note: When installing into brick, do not install/drill pilot holes into mortar.**
3. Using an impact driver with socket attachment, fasten the instrument to the frame using the provided hardware. Note that removing the screw multiple times may cause the holes to strip, reducing hold.
 4. (Optional) If a better hold is required, add a ziptie to the hole before inserting screw. The ziptie will expand to fill the space in the hole for a more secure hold when drilled.
 5. Verify the instrument is securely fastened to the wall.

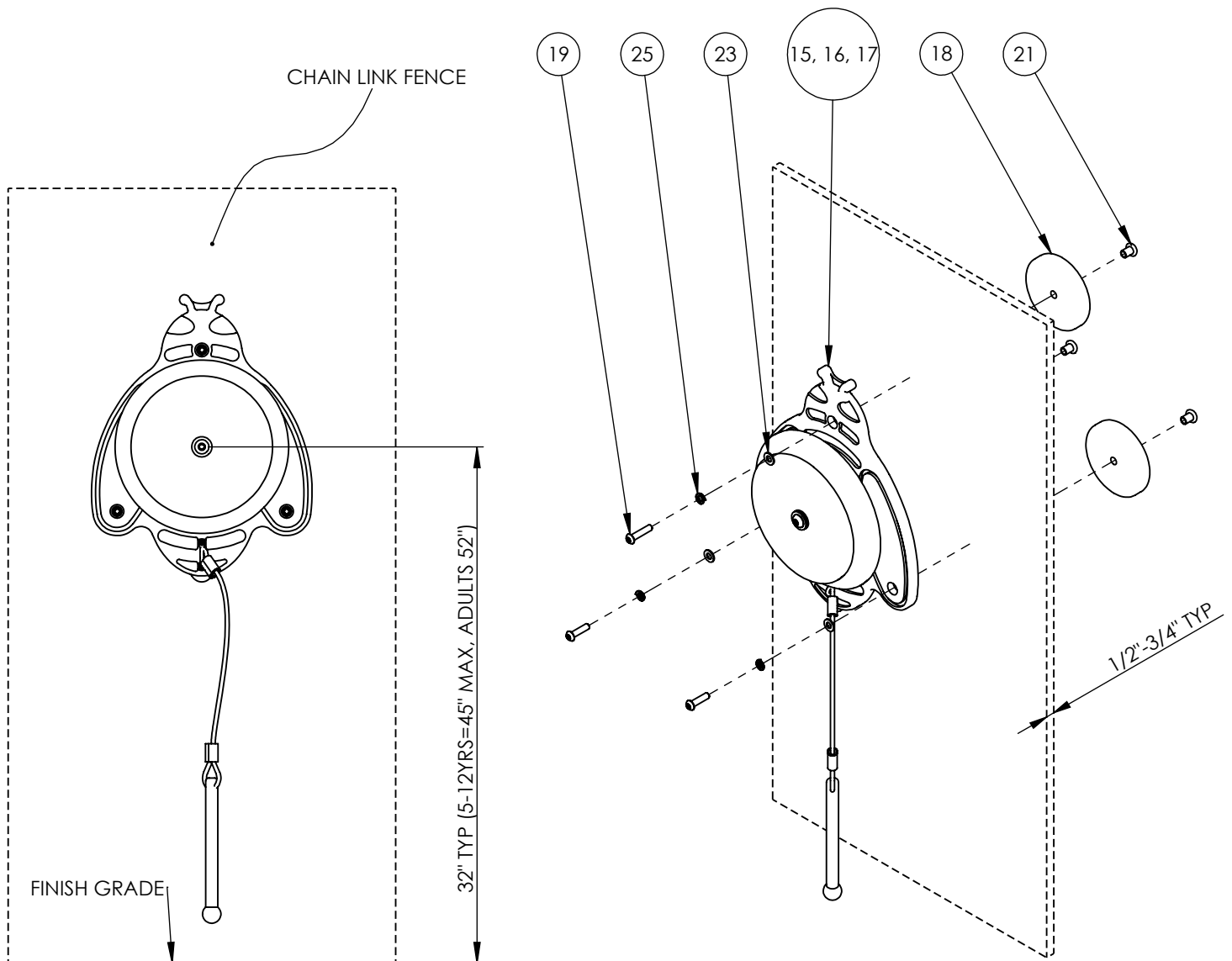


1. With two people have one hold the instrument in the desired mounting location and have the other mark the (3) hole locations with a marker. For users ages 2-5 years, mount the instrument 32" above finish grade. For users ages 2-5 years, mount the instrument (center) 32" above finish grade. For users ages 5-12 years, mount the instrument 45" above finish grade. For Adults, mount the instrument 52" above finish grade. Adjustments to mounting height may be made for special populations. The instrument may be rotated slightly for a more dynamic appearance.
2. At the marked locations, use a drill to drill (3) $\text{Ø} 7/16"$ holes through the fence, atleast $3/4"$ deep. Fence pickets must be atleast $1/2"$ thick minimum.
3. Using a 10mm hex allen key, thread the tapping inserts into the fence until the flange is flush with the surface of the fence.
4. Using an impact driver with T45 tamper resistant torx bit, fasten the instrument to the fence using the $\text{Ø} 3/8"$ bolts and provided hardware. Do not overtighten hardware, as this may split and crack wood fence pickets.
5. Verify the instrument is securely fastened to the fence.

Note: Steps should be taken to reinforce broken and old fences if required before installation.



1. With two people have one hold the instrument in the desired mounting location. For users ages 2-5 years, mount the instrument 32" above finish grade. For users ages 5-12 years, mount the instrument 45" above finish grade. For Adults, mount the instrument 52" above finish grade. Adjustments to mounting height may be made for special populations. The instrument may be rotated slightly for a more dynamic appearance.
2. Using an impact driver with T45 tamper resistant torx bit and T45 tamper resistant torx L-key, fasten the instrument to the fence using the provided hardware. The bolts, washers, and instrument go on the front of the fence, and the HDPE backers and barrel nuts go on the back of the fence. Adjust the placement of the instrument so hardware has a firm hold. Some adjustment may be required to ensure a proper installation.
4. Verify the instrument is securely fastened to the fence.



CONTENTS

- SHEET 1: BASIC INFO
- SHEET 2: BILL OF MATERIALS
- SHEET 3: ATTACHMENT TO POST
- SHEET 4: FREESTANDING, IN GROUND MOUNT
- SHEET 5: FREESTANDING, SURFACE MOUNT
- SHEET 6: FREESTANDING, PORTABLE MOUNT
- SHEET 7: WALL MOUNT, CONCRETE AND BRICK
- SHEET 8: WALL MOUNT, WOODEN FENCE
- SHEET 9: WALL MOUNT, CHAIN LINK FENCE

INSTRUMENT INFO

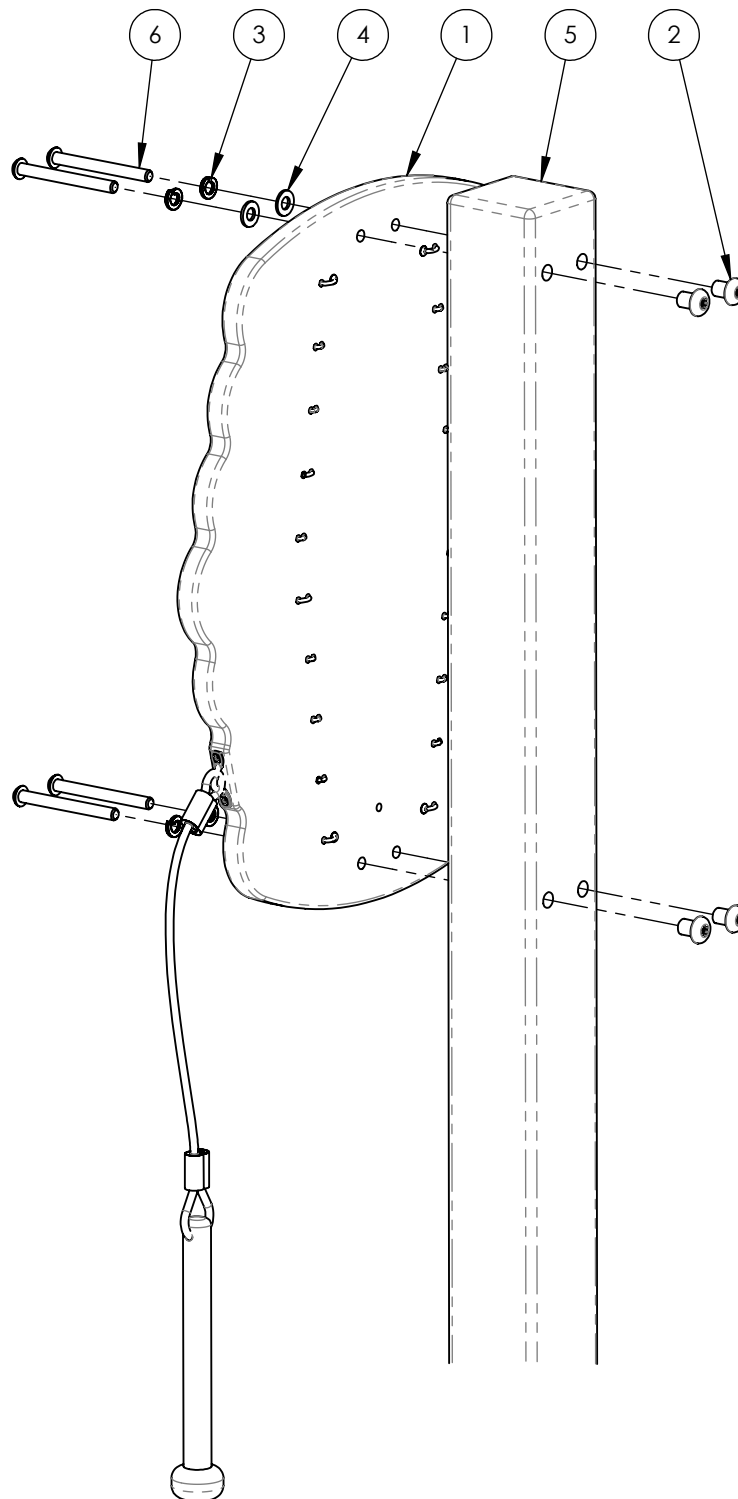
- SCALE: C MAJOR DIATONIC
- NOTES: (TOP TO BOTTOM) B,G,E,C,A,D,F,A,C
- RANGE: ALTO/ SOPRANO
- BARS: ANODIZED ALUMINUM
- FRAME: HDPE
- POST: HDPE
- SPACERS: LDPE
- HARDWARE: STAINLESS STEEL
- MALLETS: MA-80BLK-22



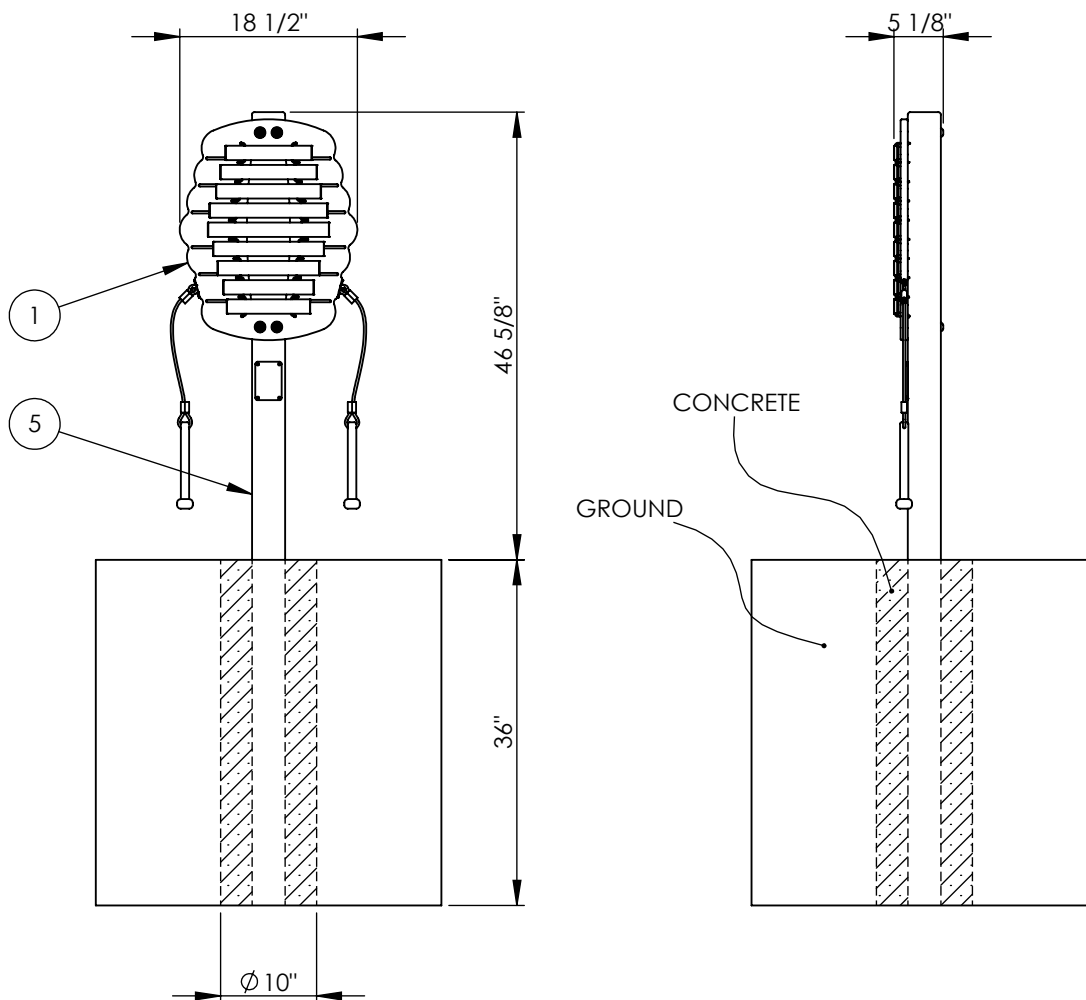
FREESTANDING				
ITEM NO.	DESCRIPTION	HIVE-IG	HIVE-SM	HIVE-PM
1	BEEHIVE-FREESTANDING INSTRUMENT	1	1	1
2	3/8" -16 BARREL NUT TORX PIN 302 STAINLESS	4	4	4
3	SS LOCK WASHER FOR 3/8" BOLTS	4	4	4
4	0.406" ID 0.812" OD 18-8 SS SAE WASHER	4	4	4
5	BEEHIVE-POST-SIGN-IN GROUND MOUNT	1	-	-
6	BOLT - 3/8"-16 X 3-3/4" SECURITY TORX WITH PATCH	4	-	-
7	3/8"-16 WEDGE EXPANSION ANCHOR, 5"LG. SS	-	4	-
8	35/64" HEX NUT CAP	-	4	-
9	BEEHIVE-POST-SIGN-SURFACE MOUNT	-	1	1
10	BOLT 3/8"-16 X 3-1/4" TORX SECURITY WITH PATCH	-	4	4
11	SURFACE MOUNT BASE HDPE, FOR RECYCLED POST (1.5" BLACK)	-	1	1
12	5/16" HEX HEAD LAG BOLT, 5"LG. SS	-	2	2
13	UNIVERSAL PORTABLE MOUNT STAND - 24" OUTER DIAMETER	-	-	1
14	3/8"-16 HEX HEAD SCREW, 2.5"LG. SS	-	-	4
15	3/8" SOCKET HEAD KNOB	-	-	4
16	3/8"-16 HEX NUT, SS	-	-	4

WALL MOUNT				
ITEM NO.	DESCRIPTION	CONCRETE/ BRICK	WOOD FENCE	CHAIN LINK FENCE
17	BEEHIVE-WALL MOUNT INSTRUMENT	1	1	1
18	5/8" OD 18-8 SS WASHER FOR 1/4" BOLTS	6	-	-
19	0.4879" OD 0.26" ID SS SPLIT LOCK WASHER	6	-	-
20	2-3/4" LG 1/4" SCREWS FOR CONCRETE, BRICK, AND BLOCK 410 SS	6	-	-
21	0.75" LG 0.385" ID 0.75" OD LDPE SPACER	6	6	-
22	BOLT - 3/8"-16 X 1-3/4" SECURITY TORX WITH PATCH	-	6	-
23	SS LOCK WASHER FOR 3/8" BOLTS	-	6	6
24	0.406" ID 0.812" OD 18-8 SS SAE WASHER	-	6	6
25	BEE-HDPE BACKER-3/4" YELLOW/BLACK/YELLOW HDPE	-	-	6
26	3/8" -16 BARREL NUT TORX PIN 302 STAINLESS	-	-	6
27	BOLT - 3/8"-16 X 1-1/2" SECURITY TORX WITH PATCH	-	-	6
28	ZINC ALLOY TAPPING INSERTS FOR SOFTWOOD	-	6	-

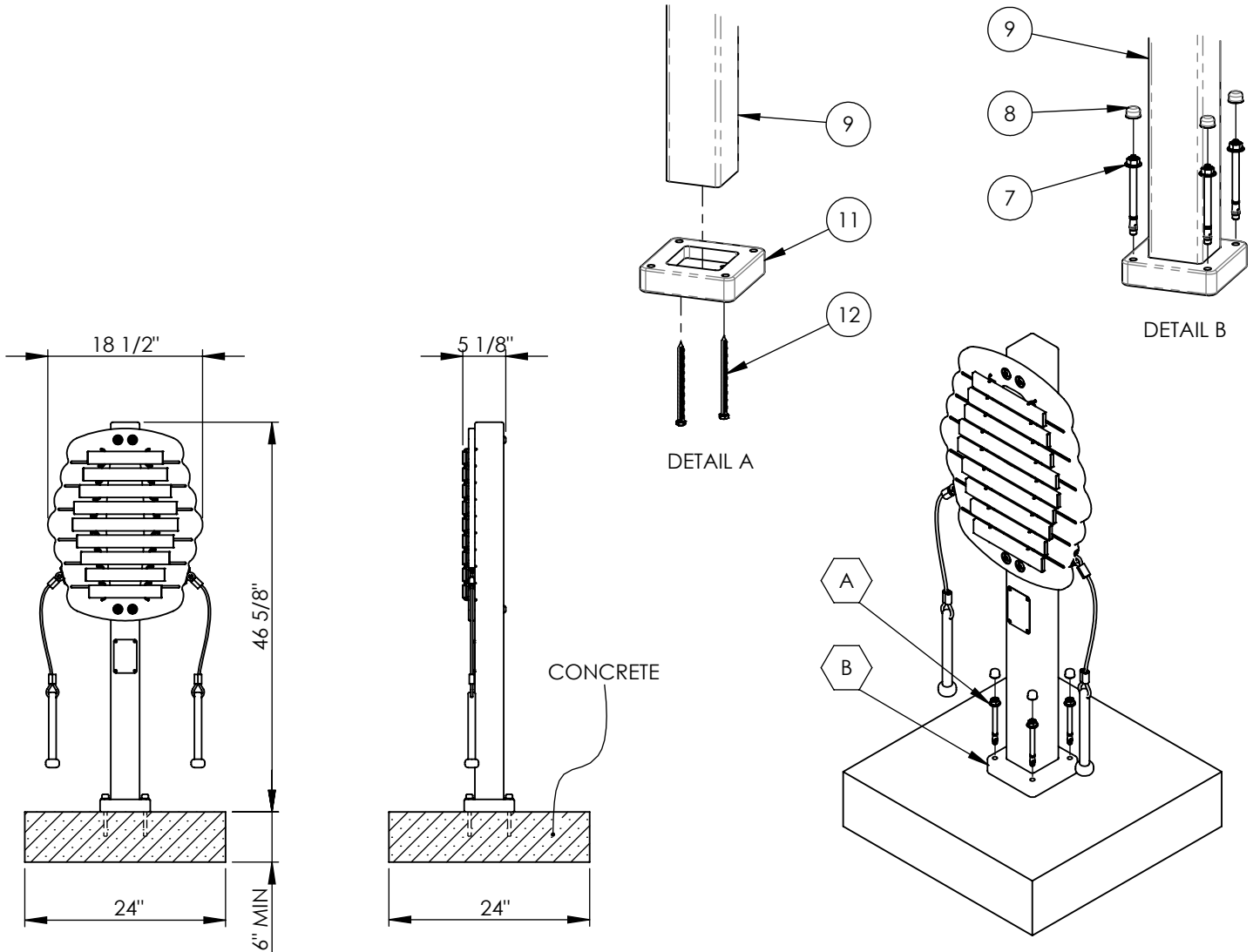
(FREESTANDING ONLY) USING THE IMPACT DRIVER, T45 TAMPER RESISTANT TORX BIT, AND T45 TAMPER RESISTANT TORX L-KEY, FASTEN THE INSTRUMENT TO THE POST USING THE 3/8" FLAT WASHERS, 3/8" LOCK WASHERS, AND $\varnothing 3/8"$, 3-3/4" LONG TAMPER RESISTANT TORX BOLTS. BOLTS HAVE THREAD LOCKER PRE-ATTACHED FOR A FIRM HOLD.



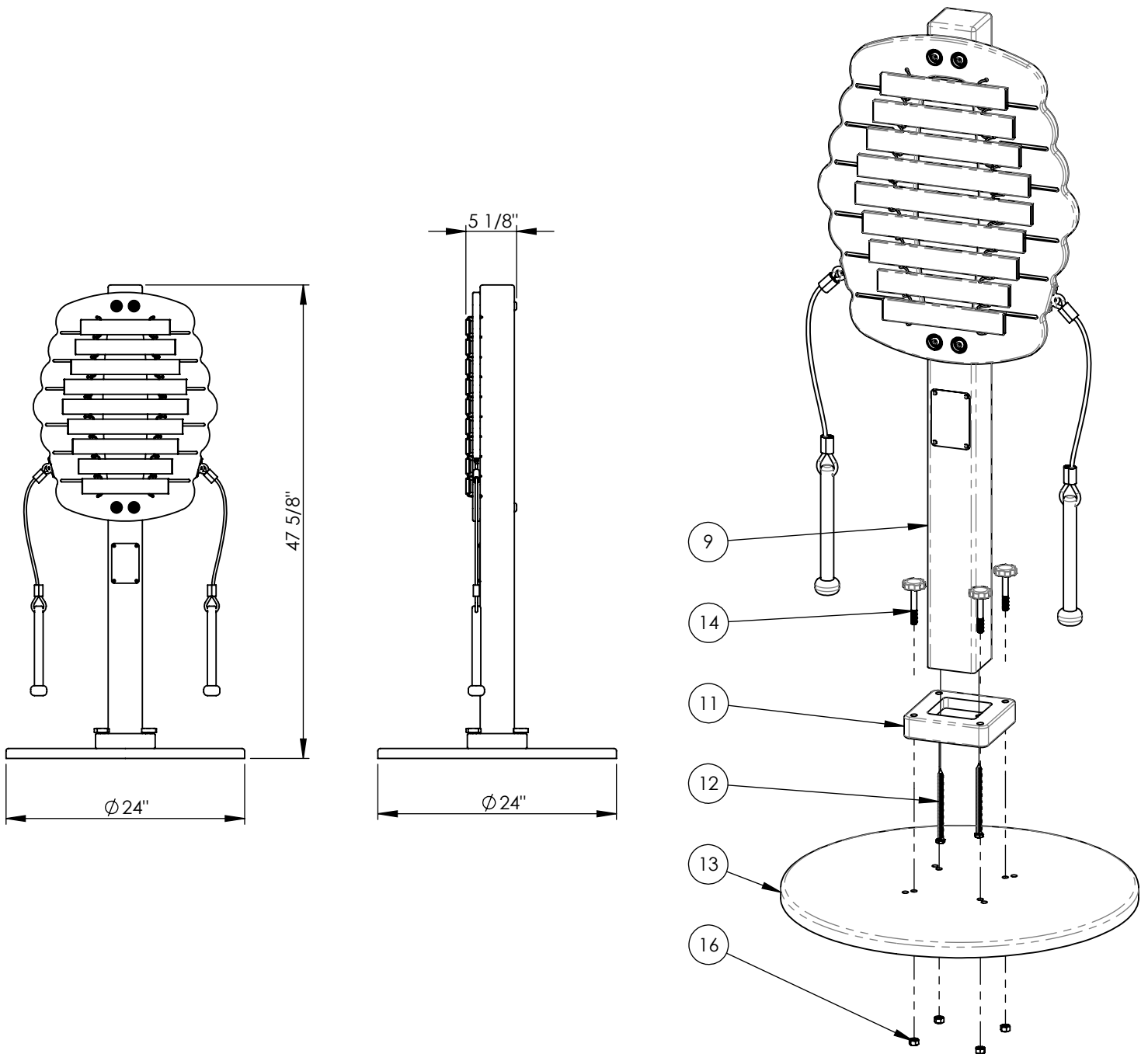
1. Attach the instrument pre-assembly to the in-ground post extension by aligning the holes on each component and fastening them together with (3) 3/8" Hex Head Screws and (3) 3/8"-16 hex nuts.
2. Excavate one 10" diameter hole, 36" deep, at the installation location.
3. With two people, lower instrument with post extension attached into the excavated hole. Verify correct placement and levelness of the instrument. Check for sufficient clearance around the instrument, a 36" perimeter around the instrument is recommended for wheelchair accessibility.
4. Lastly, pour concrete around the in-ground extension. If necessary, brace the Instrument to hold it rigid while the concrete cures. Leave to set according to the concrete manufacturers guidelines. Approximately (3) 80lb. bags will be needed.



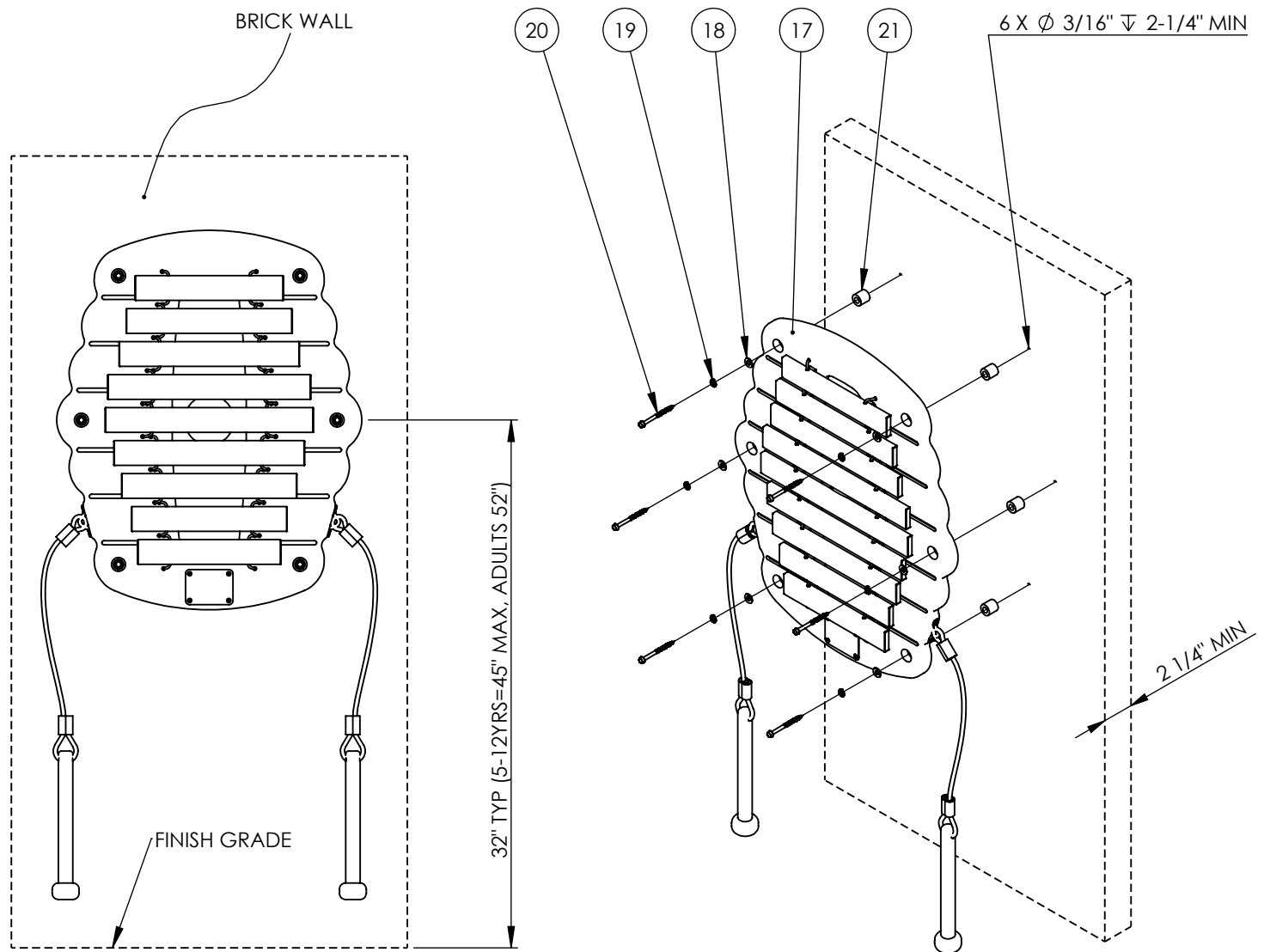
1. Determine installation location. Verify concrete pad is a minimum of 24" long x 24" wide x 6" thick. If the concrete pad is at an angle, steel washers are required to act as shims (shims not provided). If there is not already an existing pad, approximately (4) 80lb. bags will be needed. Allow concrete to cure per concrete manufacturers guidelines.
2. Install the surface mount bases to the bottom of the post. Align the holes on the base with the holes on the post. The base should fit snugly around the post. Fasten them together with the provided 5/16" hex head lag bolts.
2. With two people place the instrument onto the concrete pad and mark the center of the holes on the surface mount base. After you have made your marks, set the instrument aside. With a hammer or rotary drill, drill through concrete at marked locations. Drill to a minimum depth of 4". A 3/8" masonry drill bit will be needed.
3. Place the Instrument back over the drilled out holes. Insert provided anchor bolts into aligned holes. Position anchor nut so that it is flush with the top of the bolt. Pound anchor bolts into the hole until the anchor washer is flush with the surface mount base. Tighten anchor bolts until they are snug. Cover remaining bolt sections with provided nut caps.
4. Verify the correct placement, levelness, and finished height of the instrument. Check for sufficient clearance around the Instrument, a 36" perimeter around the instrument is recommended for wheelchair accessibility.
5. If installing onto wet concrete, use the wet set anchor manufacturers guidelines for installation procedures.



1. With two people, have one situate the instrument onto the portable stand and align the holes.
2. Have the second person secure the instrument to the portable stand with the provided 3/8"-16 thumb screws. Thumb screws should be tightened snugly to prevent any raddling during play. The 3/8"-16 Hex Nuts are prepressed into the portable stand from the factory.

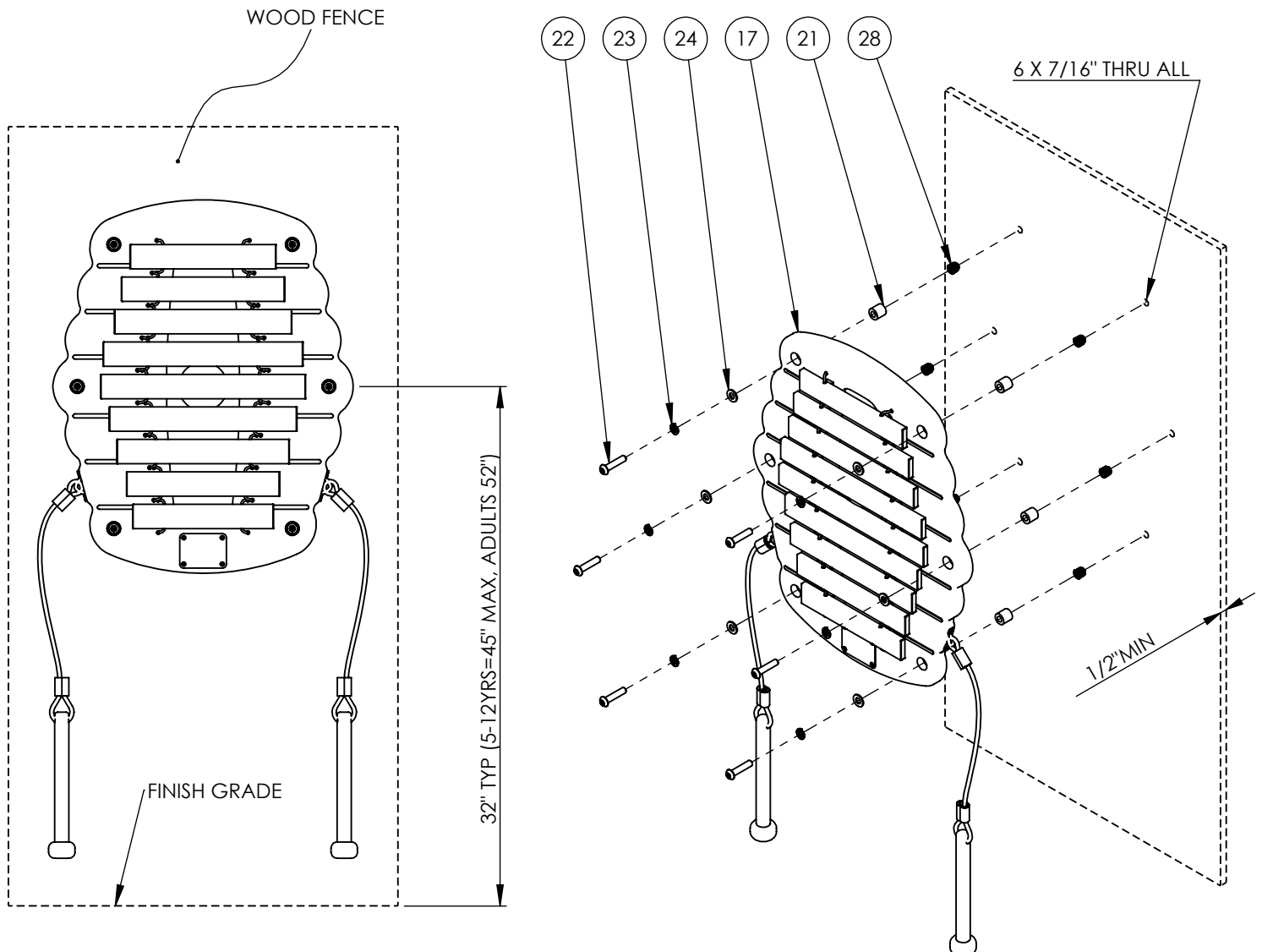


1. With two people have one hold the instrument in the desired mounting location and have the other mark hole locations with a marker. For users ages 2-5 years, mount the instrument (center) 32" above finish grade. For users ages 5-12 years, mount the instrument 45" above finish grade. For Adults, mount the instrument 52" above finish grade. Adjustments to mounting height may be made for special populations. The instrument may be rotated slightly for a more dynamic appearance.
 2. At the marked locations, use a hammer or rotary drill to drill (6) 3/16" holes 2-1/4" deep minimum into the concrete or brick. Do not overdrill the holes, as this will lead to a less secure hold.
- Note: When installing into brick, do not install/drill pilot holes into mortar.**
3. Using an impact driver with socket attachment, fasten the instrument to the frame using the provided hardware. Note that removing the screw multiple times may cause the holes to strip, reducing hold.
 4. (Optional) If a better hold is required, add a ziptie to the hole before inserting screw. The ziptie will expand to fill the space in the hole for a more secure hold when drilled.
 5. Verify the instrument is securely fastened to the wall.



1. With two people have one hold the instrument in the desired mounting location and have the other mark the (6) mounting hole locations with a marker. For users ages 2-5 years, mount the instrument 32" above finish grade. For users ages 2-5 years, mount the instrument (center) 32" above finish grade. For users ages 5-12 years, mount the instrument 45" above finish grade. For Adults, mount the instrument 52" above finish grade. Adjustments to mounting height may be made for special populations. The instrument may be rotated slightly for a more dynamic appearance.
2. At the marked locations, use a drill to drill (6) $\phi 7/16"$ holes through the fence, atleast $3/4"$ deep. Fence pickets must be atleast $1/2"$ thick minimum.
3. Using a 10mm hex allen key, thread the tapping inserts into the fence until the flange is flush with the surface of the fence.
4. Using an impact driver with T45 tamper resistant torx bit, fasten the instrument to the fence using the $\phi 3/8"$ bolts and provided hardware. Do not overtighten hardware, as this may split and crack wood fence pickets.
5. Verify the instrument is securely fastened to the fence.

Note: Steps should be taken to reinforce broken and old fences if required before installation.



1. With two people have one hold the instrument in the desired mounting location. For users ages 2-5 years, mount the instrument 32" above finish grade. For users ages 5-12 years, mount the instrument 45" above finish grade. For Adults, mount the instrument 52" above finish grade. Adjustments to mounting height may be made for special populations. The instrument may be rotated slightly for a more dynamic appearance.
2. Using an impact driver with T45 tamper resistant torx bit and T45 tamper resistant torx L-key, fasten the instrument to the fence using the provided hardware. The bolts, washers, and instrument go on the front of the fence, and the HDPE backers and barrel nuts go on the back of the fence. Adjust the placement of the instrument so hardware has a firm hold. Some adjustment may be required to ensure a proper installation.
4. Verify the instrument is securely fastened to the fence.

