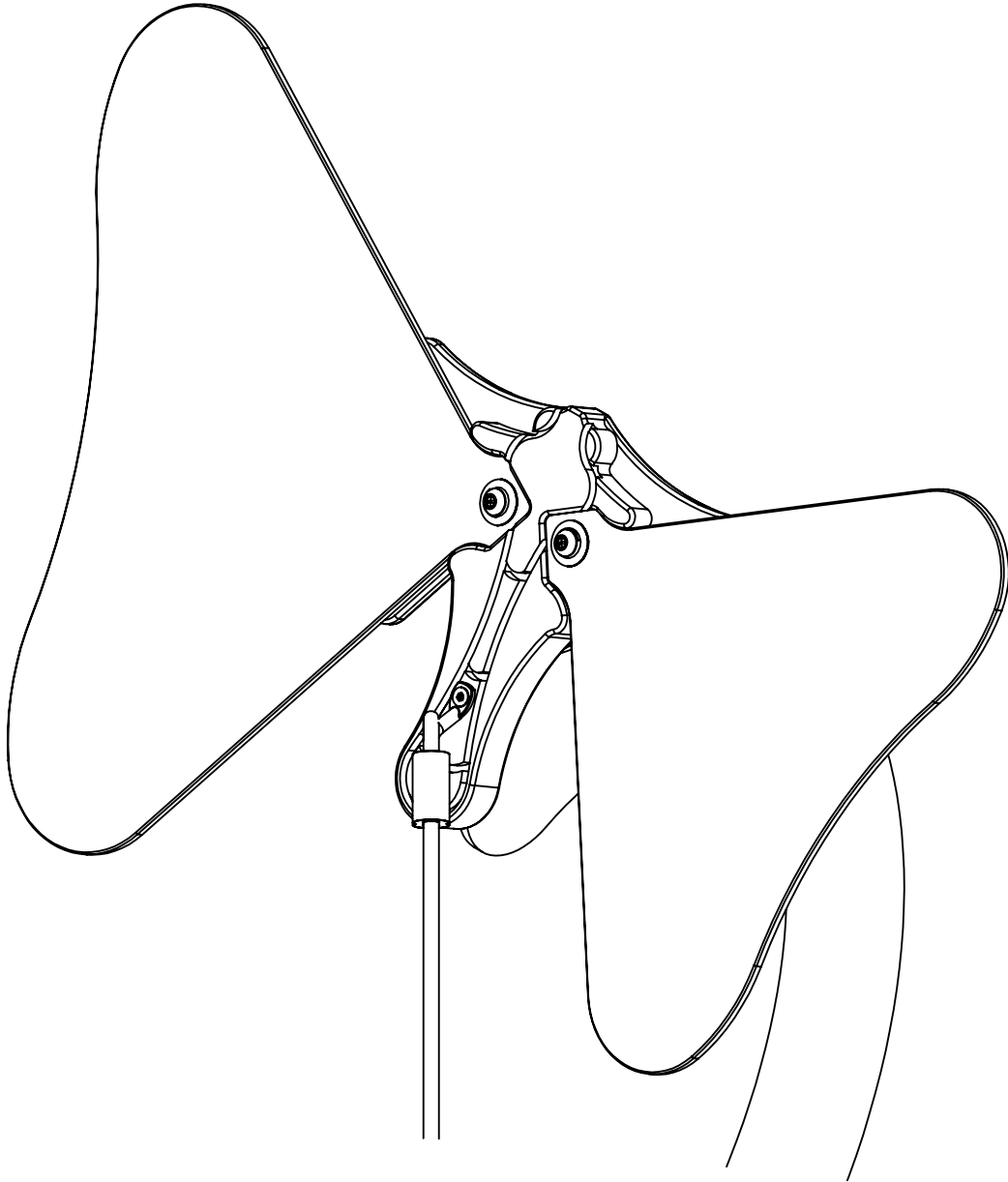
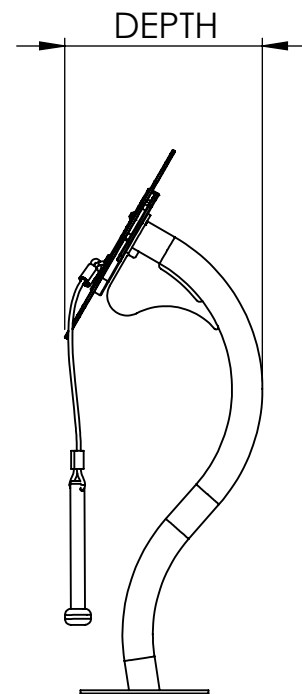
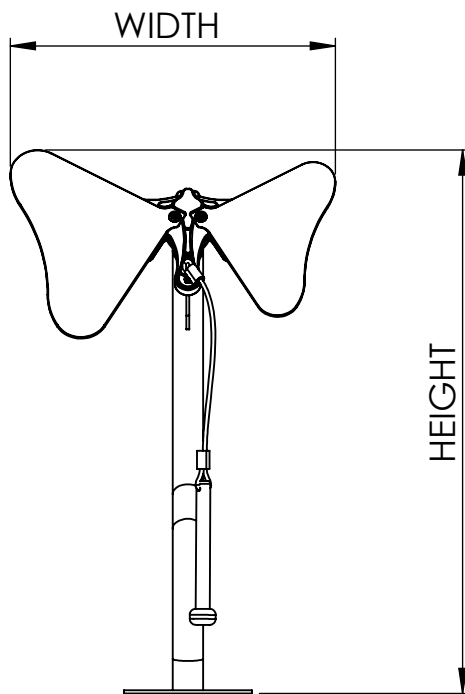


TODDLER BUTTERFLY - INSTALLATION GUIDE

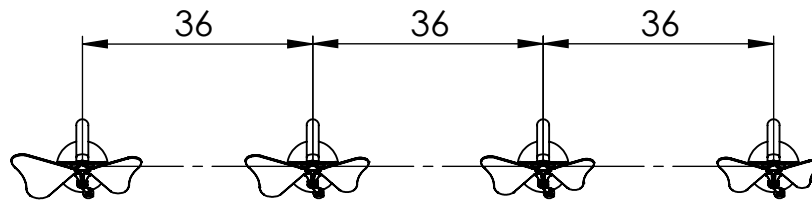


SPECS AND MATERIALS

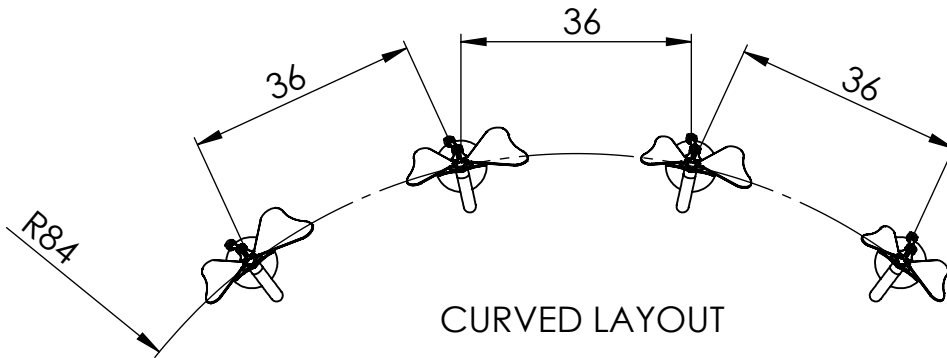
	INDIGO	ORANGE	TURQUOISE	YELLOW
IN GROUND MOUNT				
HEIGHT	34"	33-3/4"	33-3/8"	33"
WIDTH	20-3/8"	19-1/4"	17-5/8"	16"
DEPTH	12-3/8"	12-1/8"	11-7/8"	11-3/8"
WEIGHT	25 LBS	25 LBS	25 LBS	25 LBS
PACKAGED WEIGHT	35 LBS	35 LBS	35 LBS	35 LBS
SURFACE MOUNT				
HEIGHT	34"	33-3/4"	33-3/8"	33"
WIDTH	20-3/8"	19-1/4"	17-5/8"	16"
DEPTH	12-3/8"	12-1/8"	11-7/8"	11-3/8"
WEIGHT	14 LBS	14 LBS	14 LBS	14 LBS
PACKAGED WEIGHT	24 LBS	24 LBS	24 LBS	24 LBS
PORTABLE MOUNT				
HEIGHT	34"	33-3/4"	33-3/8"	33"
WIDTH	20-3/8"	19-1/4"	17-5/8"	16"
DEPTH	12-3/8"	12-1/8"	11-7/8"	11-3/8"
WEIGHT	22 LBS	22 LBS	22 LBS	22 LBS
PACKAGED WEIGHT	32 LBS	32 LBS	32 LBS	32 LBS
MATERIALS				
THORAX	HDPE	HDPE	HDPE	HDPE
POST	POWDER COATED STEEL	POWDER COATED STEEL	POWDER COATED STEEL	POWDER COATED STEEL
HARDWARE	STAINLESS STEEL	STAINLESS STEEL	STAINLESS STEEL	STAINLESS STEEL
WINGS	ANODIZED ALUMINUM	ANODIZED ALUMINUM	ANODIZED ALUMINUM	ANODIZED ALUMINUM



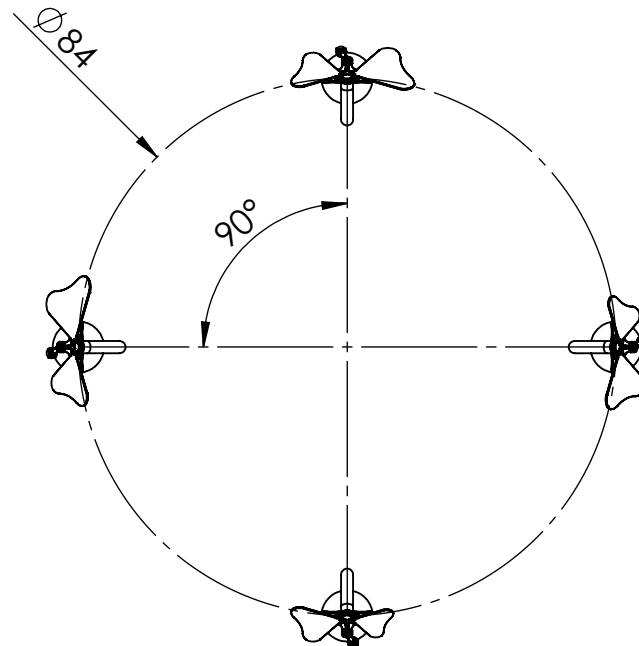
RECOMMENDED LAYOUTS



STRAIGHT LAYOUT



CURVED LAYOUT



CIRCLE LAYOUT

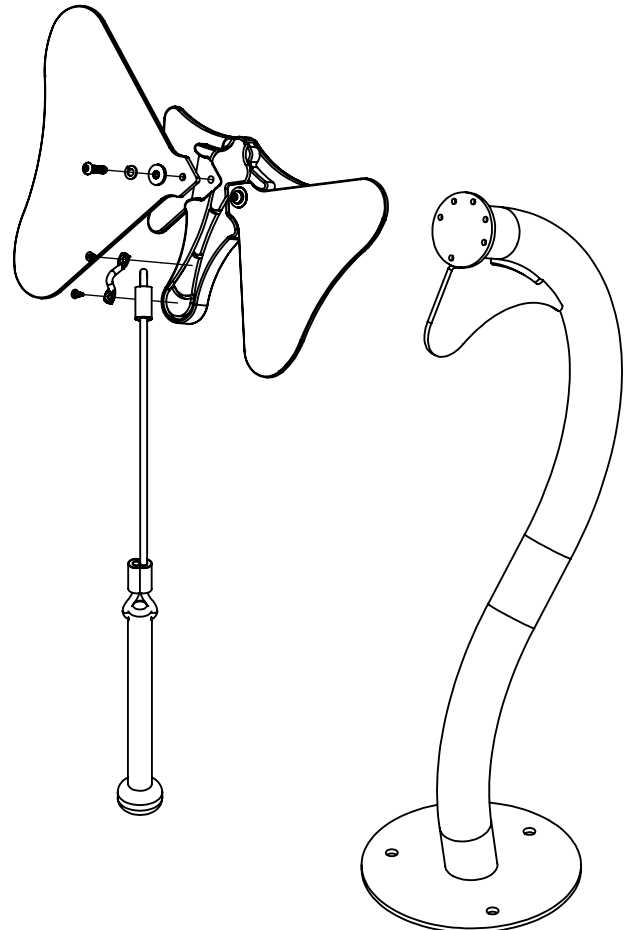
PRE-INSTALL

ITEM NO.	PART NUMBER	DESCRIPTION	"INDIGO" BFLY-BOM-I-T	"ORANGE" BFLY-O-BOM	"TURQUOISE" BFLY-T-BOM-T	"YELLOW" BFLY-Y-BOM-T
1	BFLY-THORAX	BUTTERFLY - HDPE THORAX (.75" BLACK/WHITE/BLACK)	1	1	1	1
2	FWR_BFLY-POST-T-FP	FLOWER AND BUTTERFLY - TODDLER STEEL POST (POWDER-COATED)	1	1	1	1
3	BFLY-WING-1	BUTTERFLY - ALUMINUM WING 1 (INDIGO) C	1	-	-	-
4	BFLY-WING-2	BUTTERFLY - ALUMINUM WING 2 (ORANGE) D	-	1	-	-
5	BFLY-WING-3	BUTTERFLY - ALUMINUM WING 3 (TURQUOISE) F	-	-	1	-
6	BFLY-WING-4	BUTTERFLY - ALUMINUM WING 4 (INDIGO) G	1	-	-	-
7	BFLY-WING-5	BUTTERFLY - ALUMINUM WING 5 (YELLOW) A	-	-	-	1
8	BFLY-WING-6	BUTTERFLY - ALUMINUM WING 6 (ORANGE) A	-	1	-	-
9	BFLY-WING-7	BUTTERFLY - ALUMINUM WING 7 (TURQUOISE) C	-	-	1	-
10	BFLY-WING-8	BUTTERFLY - ALUMINUM WING 8 (YELLOW) E	-	-	-	1
11	25C100MBTS	1/4"-20 BUTTON HEAD SCREW, 1"LG. SS,T27 TAMP	2	2	2	2
12	92147A029	0.487"OD 0.26"ID 316 SS SPLIT LOCK WASHER FOR 1/4" BOLTS	2	2	2	2
13	94709A416	18-8 STAINLESS STEEL WITH NEOPRENE RUBBER SEALING WASHER	2	2	2	2
14	8N50UFT4	#8 FLAT HEAD SCREW, .5"LG. SS, T15 TAMP	2	2	2	2
15	MA-80BLK-22	MALLET-80A-BLACK-STANDARD-11" CABLE-22" CONSUMED	1	1	1	1
16	FHP-RG-SS	SS ROPE GUIDE	1	1	1	1

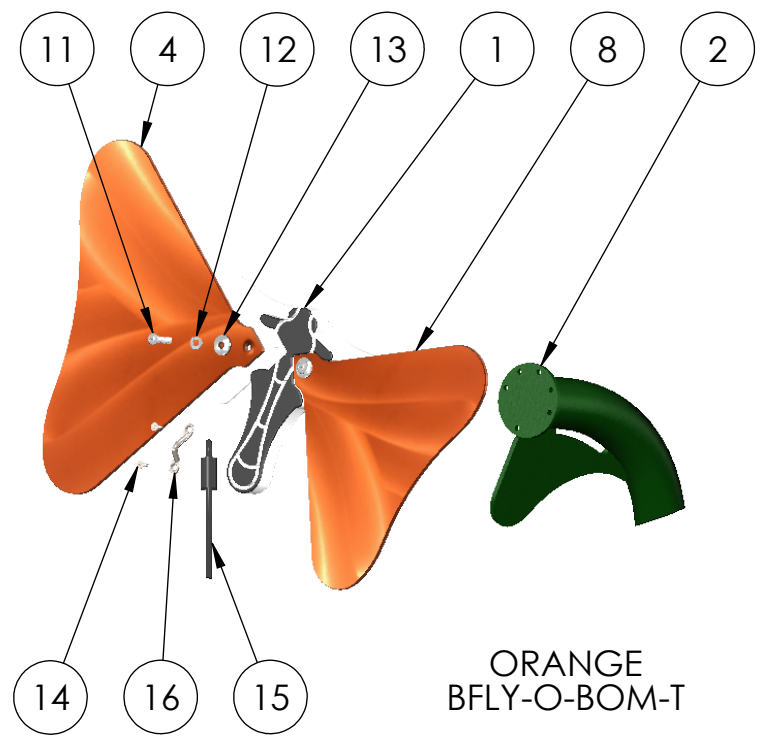
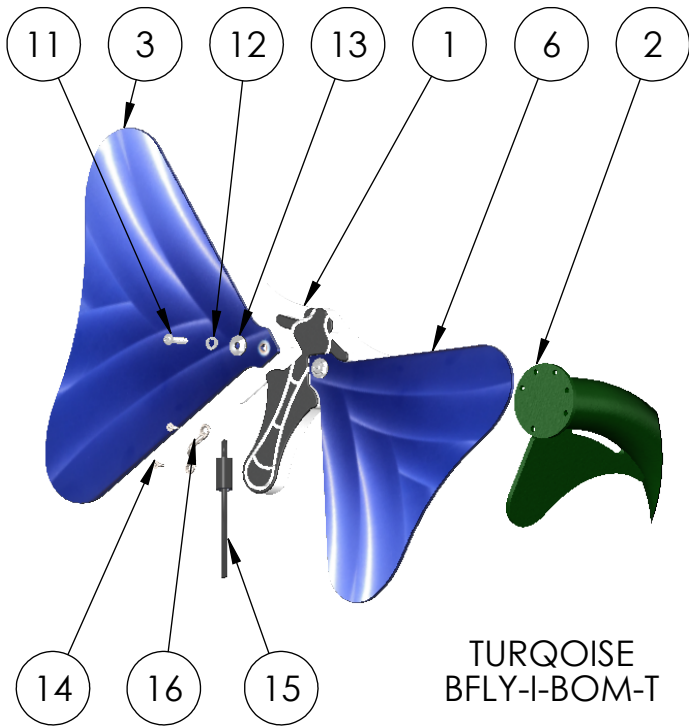
1) Apply Thread locking Fluid. Apply two drops of Loctite to the ends of the threads of (1) 1/4"-20 Button Head Screw.

2) Assemble Large Wing and Thorax. Begin to assemble the instrument by stacking the bolt, lock washer, washer, large wing, and thorax. Place the thorax onto the frame so that the bolt fits through the hole in the frame.

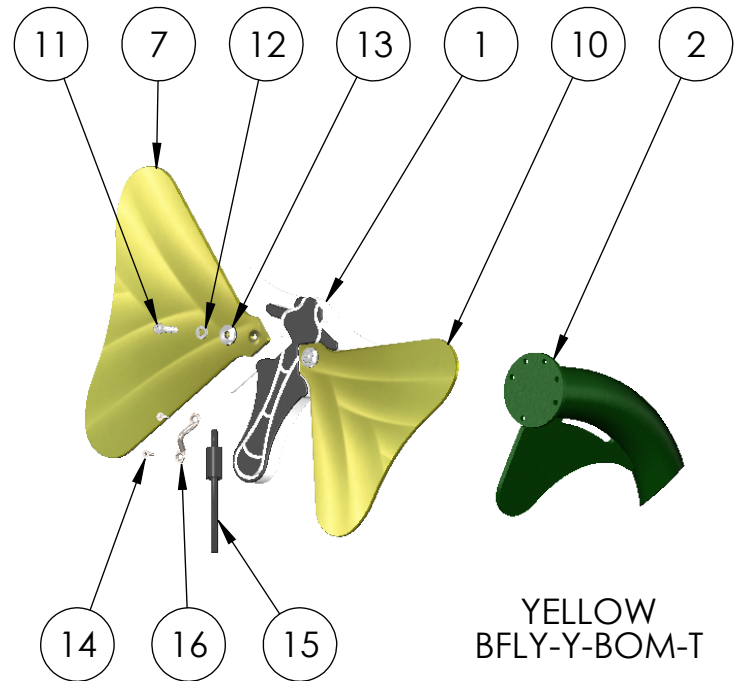
3) Fasten Wings. Position the locking hex nut behind the bolt on the back of the frame. With two people, use the tamper resistant torx bit and an adjustable wrench to drive the 1/4"-20 Button Head Screw through the frame and into the locking hex nut. Repeat the steps above for the small wing. Pre-installation complete.



PRE-INSTALL (CONT.)



NOTE: LARGE WING ALWAYS GOES ON LEFT SIDE



IN GROUND MOUNT

ITEM NO.	PART NUMBER	DESCRIPTION	BFLY-I-IG-T	BFLY-O-IG-T	BFLY-T-IG-T	BFLY-Y-IG-T
17	BFLY-I-BOM-T	PRE-ASSEMBLY - TODDLER INDIGO BUTTERFLY INSTRUMENT	1	-	-	-
18	BFLY-O-BOM-T	PRE-ASSEMBLY - TODDLER ORANGE BUTTERFLY INSTRUMENT	-	1	-	-
19	BFLY-T-BOM-T	PRE-ASSEMBLY - TODDLER TURQUOISE BUTTERFLY INSTRUMENT	-	-	1	-
20	BFLY-Y-BOM-T	PRE-ASSEMBLY - TODDLER YELLOW BUTTERFLY INSTRUMENT	-	-	-	1
21	92240A624	3/8"-16 HEX HEAD SCREW, 1"LG. SS	3	3	3	3
22	POST-STL-IG-EXT-FP	IN GROUND STEEL POST EXTENSION (POWDER-COATED)	1	1	1	1
23	91845A031	3/8"-16 HEX NUT, SS	3	3	3	3

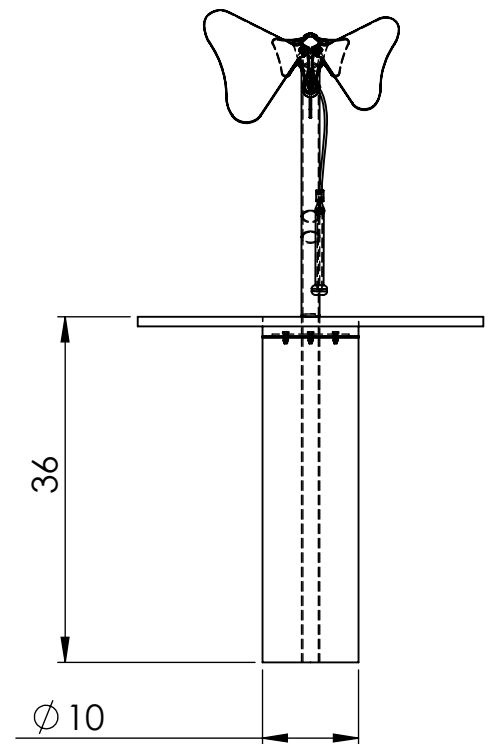
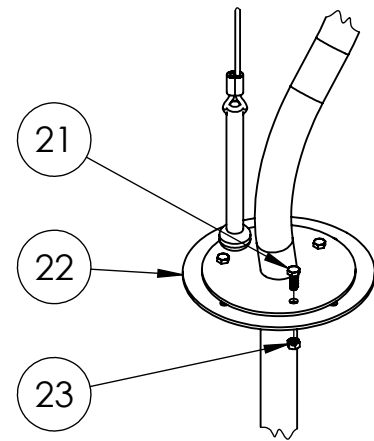
1) Assemble Instrument. Follow instructions on sheet 2 for pre-installation instructions.

2) Attach Post Extensions. With the remaining Loctite, apply a couple drops to the end of the threads on the 3/8"-16 Hex Head Screws. Attach the instrument to the In Ground Post Extension by aligning the holes on each component and fastening them together with the 3/8" Hex Head Screws and the 3/8"-16 Hex Nuts.

3) Excavate Hole. After choosing your layout, excavate (1) 10" DIA hole/instrument 34" deep at the pre-determined location. Note that a deeper excavated hole or shortening the In Ground Post Extension will be required if the desired age groups are between 2-12. Be sure to account for surfacing thickness if it is to be used.

4) Place Instrument. With two people, place the instrument into the hole, verifying the placement and finish height. Adjust the hole depth if necessary to achieve the proper finish height. Check for sufficient clearance around the Instrument, a 36" perimeter around the Instrument is recommended for wheelchair accessibility.

5) Pour Concrete. Pour concrete around the In Ground Post Extension within the hole and check that the instrument is level. Leave concrete to set according to the concrete manufacturer's recommendations. If necessary, brace the instrument to hold it level during the curing process. Approximately (3) 80lb. bags of concrete will be needed for each instrument.



SURFACE MOUNT

ITEM NO.	PART NUMBER	DESCRIPTION	BFLY-I-SM-T	BFLY-O-SM-T	BFLY-T-SM-T	BFLY-Y-SM-T
17	BFLY-I-BOM-T	PRE-ASSEMBLY - TODDLER INDIGO BUTTERFLY INSTRUMENT	1	-	-	-
18	BFLY-O-BOM-T	PRE-ASSEMBLY - TODDLER ORANGE BUTTERFLY INSTRUMENT	-	1	-	-
19	BFLY-T-BOM-T	PRE-ASSEMBLY - TODDLER TURQUOISE BUTTERFLY INSTRUMENT	-	-	1	-
20	BFLY-Y-BOM-T	PRE-ASSEMBLY - TODDLER YELLOW BUTTERFLY INSTRUMENT	-	-	-	1
24	POW 07315	3/8"-16 WEDGE EXPANSION ANCHOR, 3.75"LG. SS	3	3	3	3
25	9267K43	35/64" HEX NUT CAP	3	3	3	3

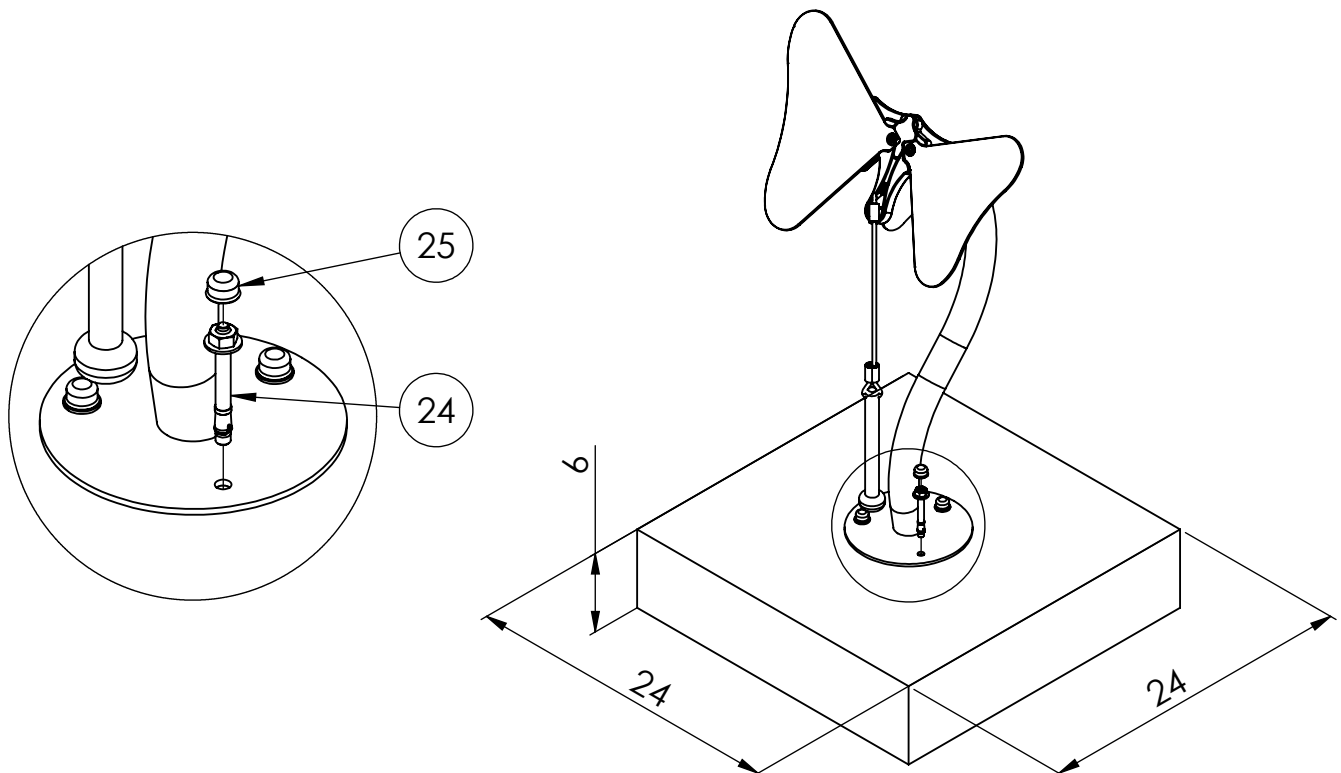
1) Assemble Instrument. Follow instructions on sheet 2 for pre-installation instructions.

2) Determine Installation Location. Verify/ pour a concrete pad this is a minimum of 24" long x 24" wide x 6" thick. If the concrete pad is at an angle, steel washers are required to act as shims (Shims not provided). If there is not already an existing pad, approximately (4) 80lb. bags will be needed. Allow concrete to cure per concrete manufacturers guidelines.

3) Mark Hole locations. With two people place the instrument onto the concrete pad and mark the center of the holes on the surface mount base. After you have made your marks, set aside the Instrument in order to drill for anchor holes. With a 3/8" masonry bit and hammer or rotary drill, drill (3X) 3/8" DIA holes atleast 4" deep through concrete at the marked locations.

4) Mount Instrument. Place the Instrument back over the holes. Insert the anchor bolts into aligned holes. Position anchor nut so that it is flush with the top of the bolt. Pound anchor bolts into the hole until the anchor washer is flush with the surface mount base. Tighten anchor bolts until they are snug. Cover remaining bolt sections with provided nut caps. Note: If installing onto wet concrete, us the wet set anchor manufacturers guidelines for installation procedures.

5) Verify Placement. Verify the correct placement, levelness, and finished height of the Instrument. Check for sufficient clearance around the Instrument, a 36" perimeter around the Instrument is recommended for wheelchair accessibility.

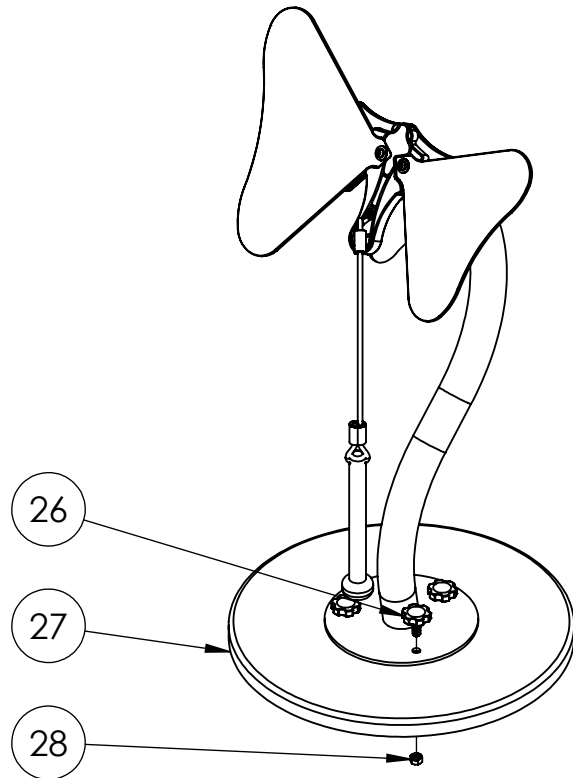


PORTABLE MOUNT

ITEM NO.	PART NUMBER	DESCRIPTION	BFLY-I-PM-T	BFLY-O-PM-T	BFLY-T-PM-T	BFLY-Y-PM-T
17	BFLY-I-BOM-T	PRE-ASSEMBLY - TODDLER INDIGO BUTTERFLY INSTRUMENT	1	-	-	-
18	BFLY-O-BOM-T	PRE-ASSEMBLY - TODDLER ORANGE BUTTERFLY INSTRUMENT	-	1	-	-
19	BFLY-T-BOM-T	PRE-ASSEMBLY - TODDLER TURQUOISE BUTTERFLY INSTRUMENT	-	-	1	-
20	BFLY-Y-BOM-T	PRE-ASSEMBLY - TODDLER YELLOW BUTTERFLY INSTRUMENT	-	-	-	1
26	91185A867	3/8"-16 THUMB SCREW, 1"LG. SS	3	3	3	3
27	FWR_BFLY-PM-PS	FLOWER AND BUTTERFLY - HDPE PORTABLE STAND (1" BLACK)	1	1	1	1
28	91845A031	3/8"-16 HEX NUT, SS	3	3	3	3

1) Mount Instrument. With two people have one situate the Instrument Assembly onto the Portable Stand and align the holes.

2) Fasten Hardware. Have the second person secure the Instrument to the Portable Stand with the provided 3/8"-16 Thumb Screws. Thumb Screws should be tightened snugly to prevent any raddling during play. The 3/8"-16 Hex Nuts are pre-pressed into the Portable Stand from the Factory.



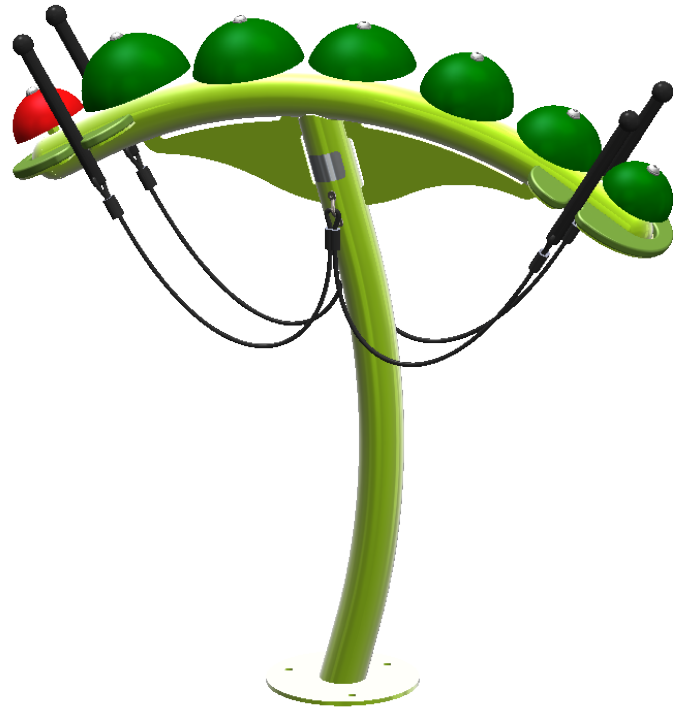
CATERPILLAR BELLS INSTALLATION GUIDE

CONTENTS

SHEET 1: BASIC INFO
 SHEET 2: IN-GROUND
 SHEET 3: SURFACE MOUNT
 SHEET 4: PORTABLE MOUNT

INSTRUMENT INFO

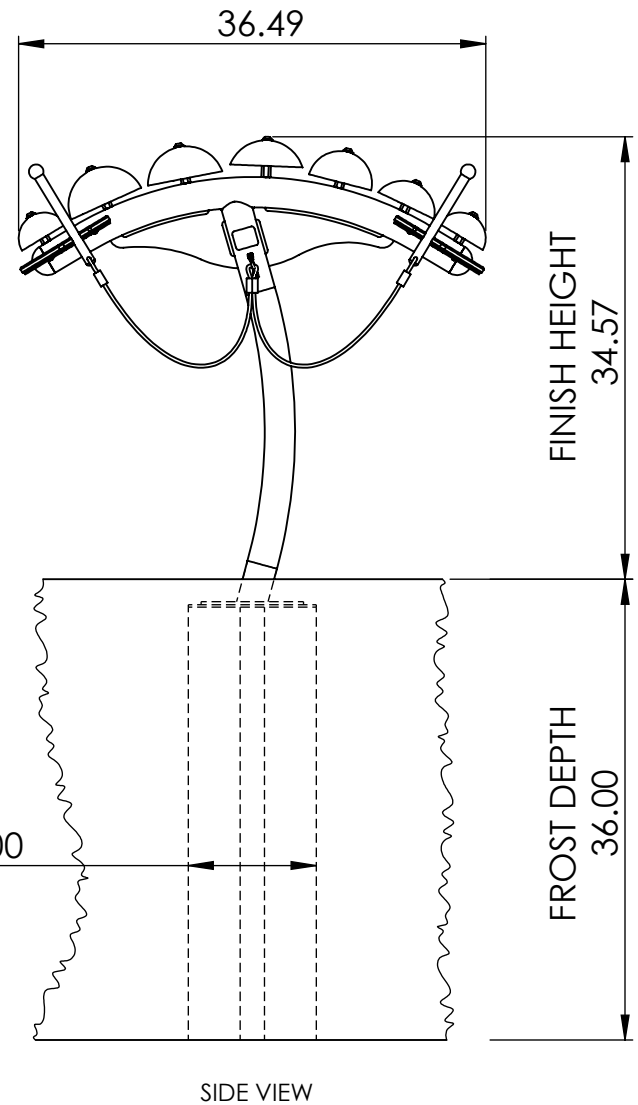
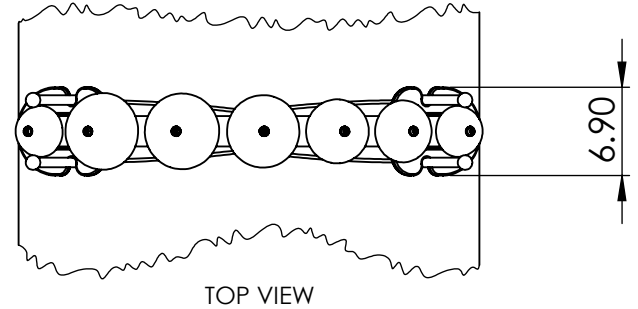
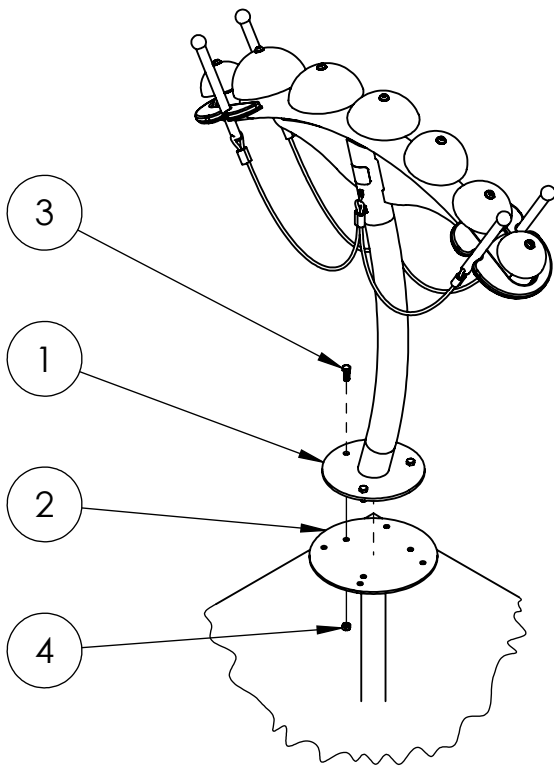
SCALE: C MAJOR PENTATONIC
 NOTES: (HEAD TO TAIL) C,C,D,E,G,A,D
 TIMBRE: BRIGHT / HAND BELL
 RANGE: ALTO
 BELLS: ANODIZED ALUMINUM
 FRAME: POWDER COATED STEEL
 SPACERS: NYLON/ ZINC PLATED BRASS
 HARDWARE: STAINLESS STEEL
 MALLET HOLDERS: HDPE
 REPLACEMENT MALLET: RPLC-CATR-MALLET



COMPONENTS					
ITEM NO.	PART NUMBER	DESCRIPTION	CATR-IG	CATR-SM	CATR-PM
1	CATR-BOM	CATERPILLAR BELLS-PRE ASSEMBLY	1	1	1
2	POST-STL-IG-EXT-FP	IN GROUND STEEL POST EXTENSION (POWDER-COATED)	1	-	-
3	92240A624	3/8"-16 HEX HEAD SCREW, 1"LG. SS	3	-	-
4	91845A031	3/8"-16 HEX NUT, SS	3	-	3
5	POW 07315	3/8"-16 WEDGE EXPANSION ANCHOR, 3.75"LG. SS	-	3	-
6	9267K43	35/64" HEX NUT CAP	-	3	-
7	FWR_BFLY-PM-PS	FLOWER AND BUTTERFLY - HDPE PORTABLE STAND (1" BLACK)	-	-	1
8	91185A867	3/8"-16 THUMB SCREW, 1"LG. SS	-	-	3
WEIGHTS AND DIMENSIONS					
			CATR-IG	CATR-SM	CATR-PM
UNPACKAGED WEIGHT (LBS)			49	39	47
PACKAGED WEIGHT (LBS)			64	54	62
OVERALL HEIGHT/ FINISH HEIGHT (INSTALLED)			34.57"	36.57"	37.57"
OVERALL WIDTH (INSTALLED)			36.49"	36.49"	36.49"
OVERALL THICKNESS (INSTALLED)			8"	8"	18"
PACKAGE HEIGHT			7"		
PACKAGE WIDTH			42"		
PACKAGE DEPTH			54"		

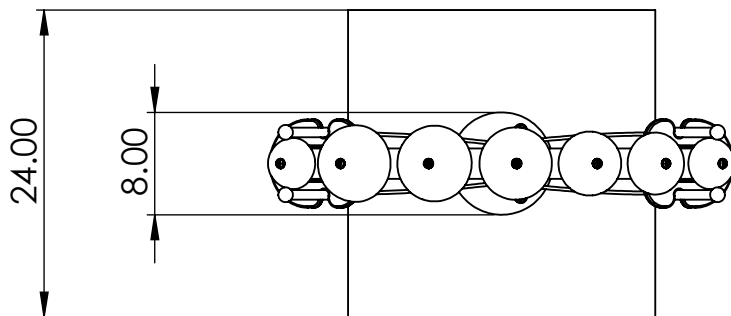
CATERPILLAR BELLS: IN-GROUND INSTALLATION

1. Apply a couple drops of blue loctite to the end of the threads on the 3/8"-16 Hex Head Screws.
2. Attach the Instrument Pre-Assembly to the In Ground Post Extension by aligning the holes on each component and fastening them together with the (3) 3/8" Hex Head Screws and the (3) 3/8"-16 Hex Nuts.
3. Excavate one 10" diameter hole, 36" deep, at the installation location.
4. With two people, lower instrument with post extension attached into the excavated hole. Verify correct placement and levelness of the Instrument. Check for sufficient clearance around the Instrument, a 36" perimeter around the Instrument is recommended for wheelchair accessibility.
5. Lastly, pour concrete around the In Ground Extension. If necessary, brace the Instrument to hold it rigid while the concrete cures. Leave to set according to the concrete manufacturers guidelines. Approximately (3) 80lb. bags will be needed.

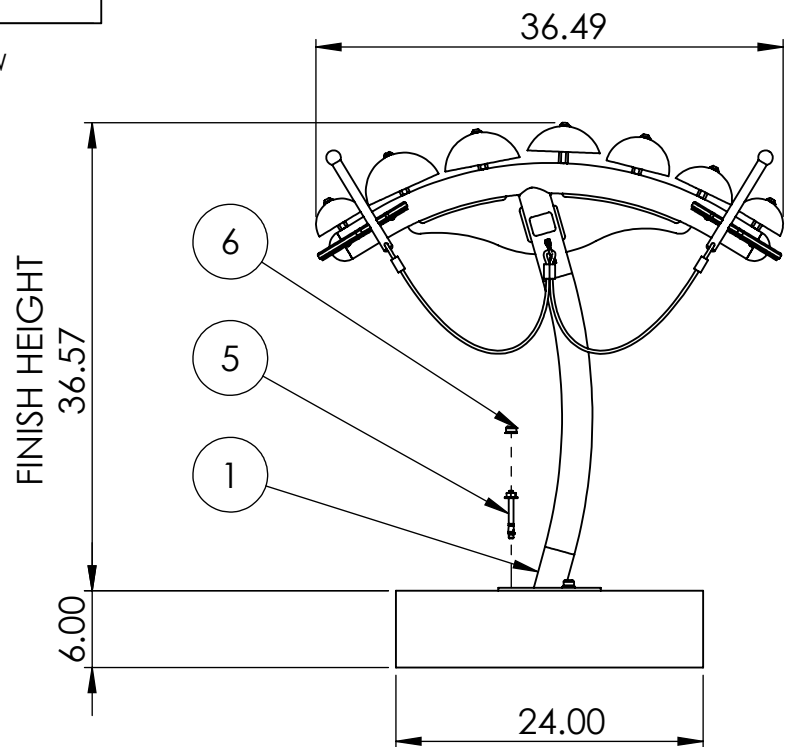


CATERPILLAR BELLS: SURFACE MOUNT INSTALLATION

1. Determine installation location. Verify concrete pad is a minimum of 24" long x 24" wide x 6" thick. If the concrete pad is at an angle, steel washers are required to act as shims (Shims not provided). If there is not already an existing pad, approximately (4) 80lb. bags will be needed. Allow concrete to cure per concrete manufacturers guidelines.
2. With two people place the Instrument Assembly onto the concrete pad and mark the center of the holes on the surface mount base. After you have made your marks, set aside the Instrument in order to drill for anchor holes. With a hammer or rotary drill, drill through concrete at marked locations. Drill to a minimum depth of 4". A 3/8" masonry drill bit will be needed.
3. Place the Instrument back over the drilled out holes. Insert provided anchor bolts into aligned holes. Position anchor nut so that it is flush with the top of the bolt. Pound anchor bolts into the hole until the anchor washer is flush with the surface mount base. Tighten anchor bolts until they are snug. Cover remaining bolt sections with provided nut caps.
4. Verify the correct placement, levelness, and finished height of the Instrument. Check for sufficient clearance around the Instrument, a 36" perimeter around the Instrument is recommended for wheelchair accessibility.
5. If installing onto wet concrete, us the wet set anchor manufacturers guidelines for installation procedures.



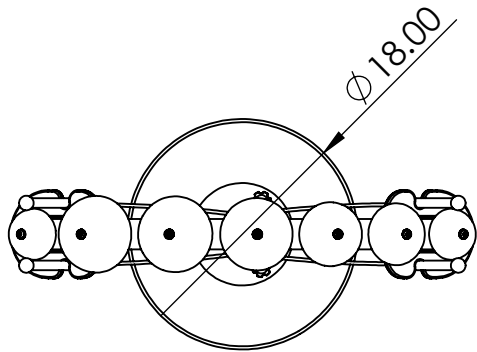
TOP VIEW



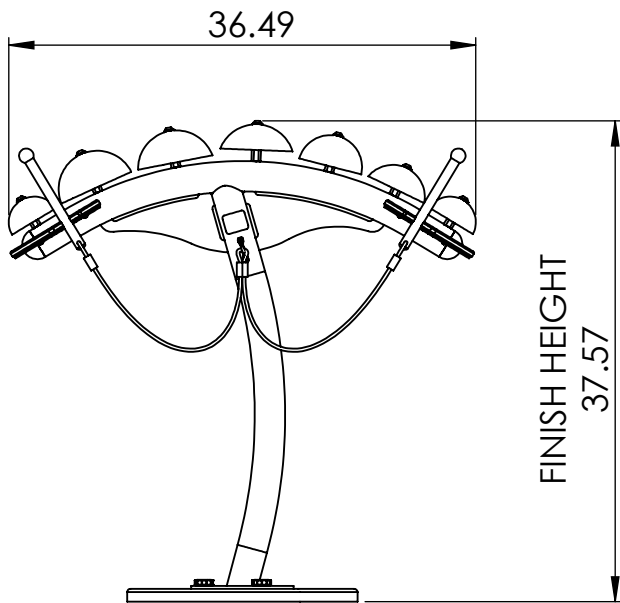
SIDE VIEW

CATERPILLAR BELLS: PORTABLE MOUNT INSTALLATION

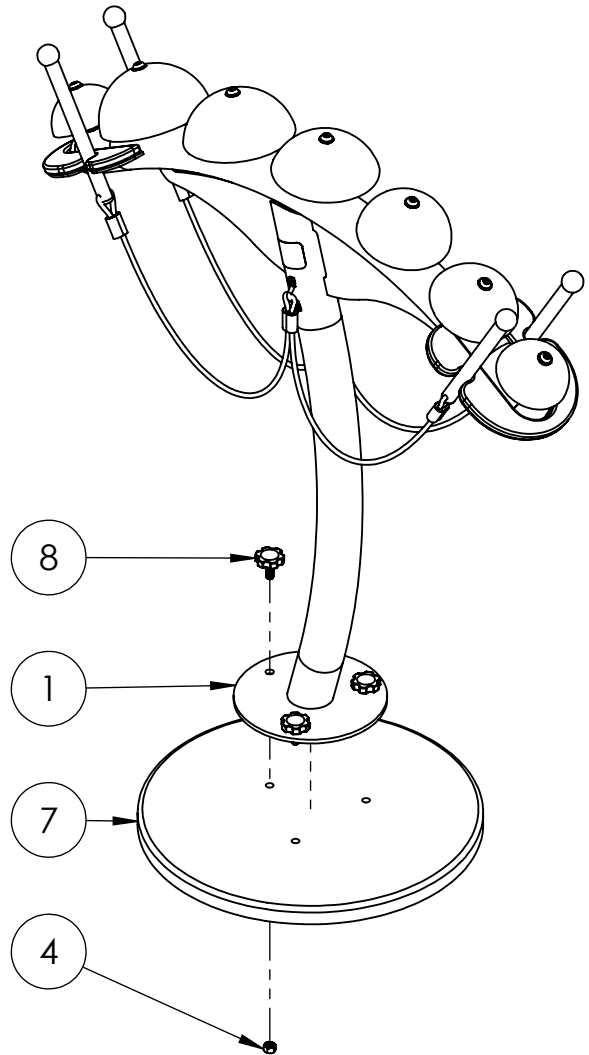
1. With two people have one situate the Instrument Assembly onto the Portable Stand and align the holes.
2. Have the second person secure the Instrument to the Portable Stand with the provided 3/8"-16 Thumb Screws. Thumb Screws should be tightened snugly to prevent any raddling during play. The 3/8"-16 Hex Nuts are prepressed into the Portable Stand from the Factory.



TOP VIEW

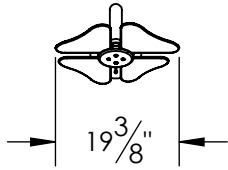


SIDE VIEW

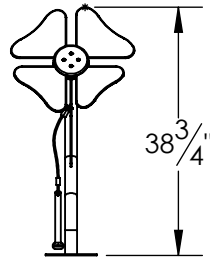


- Powder Coated Steel Frame
- Anodized Aluminum Petals
- Stainless Steel Hardware
- US Pat. No. 10,650,793 B2

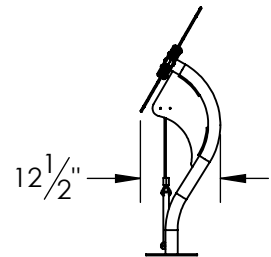
Top View



Front View

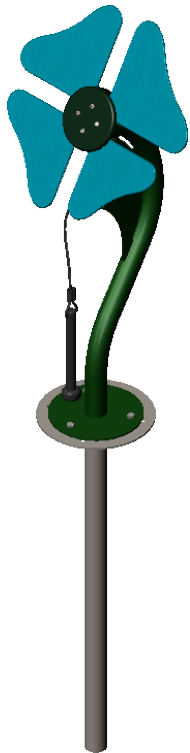


Side View



FWR-T-IG

Inground, Sheet 2 and 3
 Assembled Weight: 31 lbs.
 Combined Packaged Weight: 45 lbs.



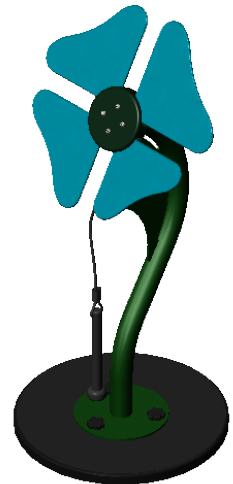
FWR-T-SM

Surface Mount, Sheet 2 and 4
 Assembled Weight: 20 lbs.
 Combined Packaged Weight: 34 lbs.



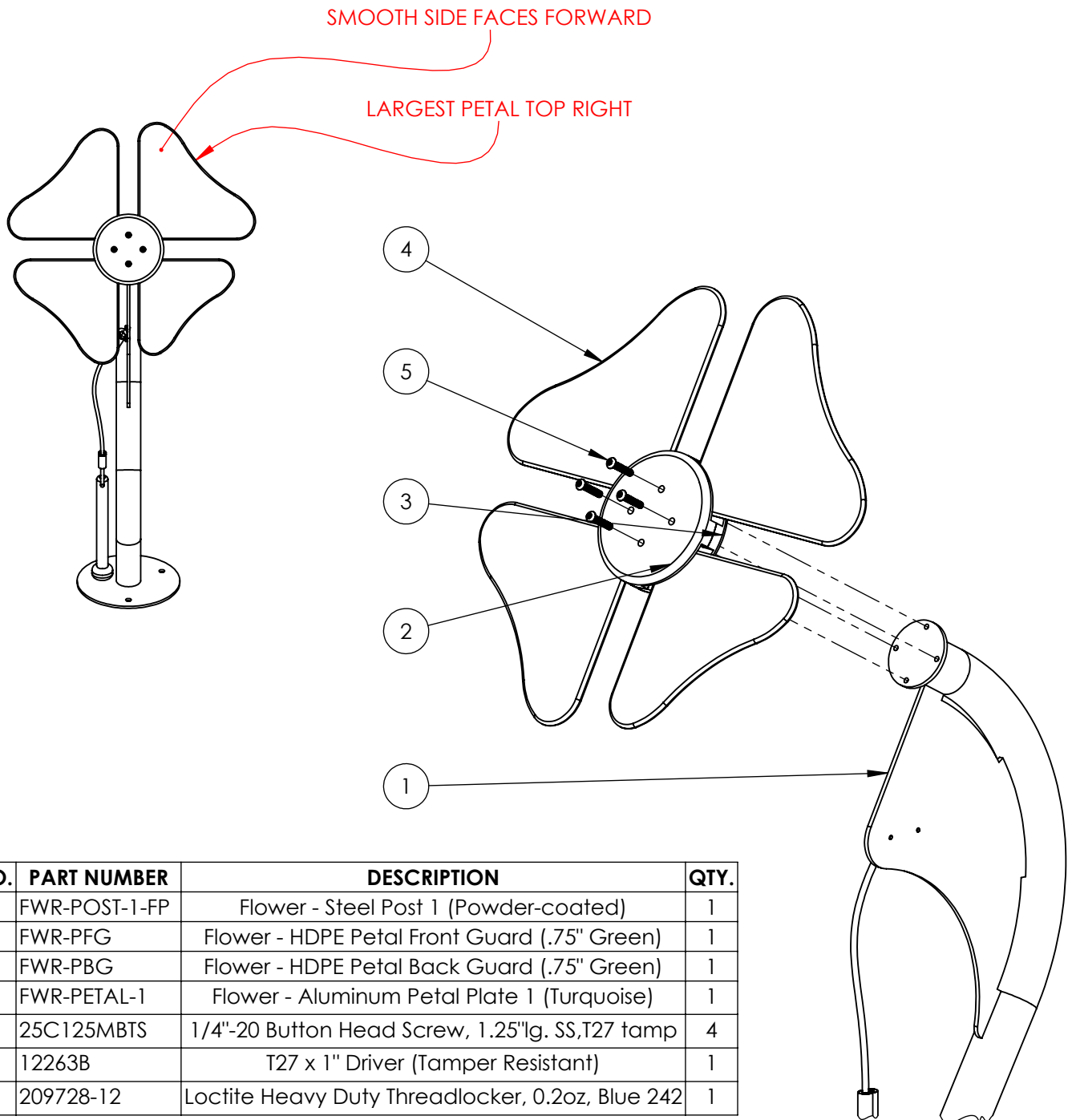
FWR-T-PM

Portable Mount, Sheet 2 and 5
 Assembled Weight: 28 lbs.
 Combined Packaged Weight: 43 lbs.



Assembly Instructions

1. Apply two drops of Loctite to the ends of the threads on each 1/4"-20 Button Head Screw.
2. The largest petal section should be oriented to the top right. The smooth side (the side of the petal without indentations) faces forward, towards the player. With the T27 Driver fasten the Aluminum Petal with HDPE Guards to the Post by driving one at a time the 1/4"-20 Button Head Screws through one of the holes on the Guards, through the Petal, and into the threaded hole on the Post. Drive slowly to prevent stripping the screw or threaded holes.
3. After all the Screws have been installed, go back and tighten them down until the head of the screw just starts to sink into the green HDPE Guard face.



ITEM NO.	PART NUMBER	DESCRIPTION	QTY.
1	FWR-POST-1-FP	Flower - Steel Post 1 (Powder-coated)	1
2	FWR-PFG	Flower - HDPE Petal Front Guard (.75" Green)	1
3	FWR-PBG	Flower - HDPE Petal Back Guard (.75" Green)	1
4	FWR-PETAL-1	Flower - Aluminum Petal Plate 1 (Turquoise)	1
5	25C125MBTS	1/4"-20 Button Head Screw, 1.25"lg. SS,T27 tamp	4
6	12263B	T27 x 1" Driver (Tamper Resistant)	1
7	209728-12	Loctite Heavy Duty Threadlocker, 0.2oz, Blue 242	1

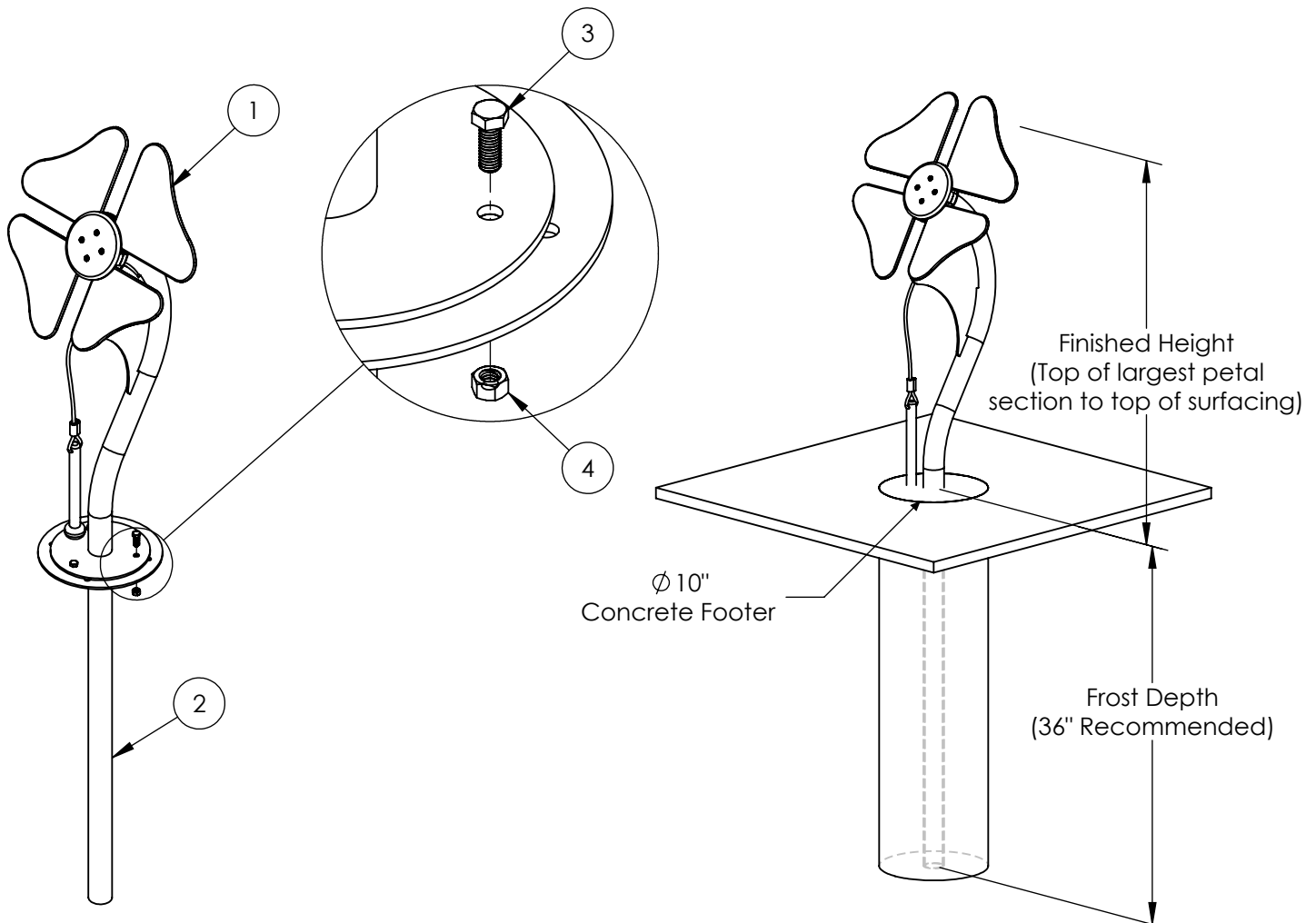
Inground Installation Instructions

1. With the remaining Loctite, apply a couple drops to the end of the threads on the 3/8"-16 Hex Head Screws.
2. Attach the Instrument Pre-Assembly to the In Ground Post Extension by aligning the holes on each component and fastening them together with the (3) 3/8" Hex Head Screws and the (3) 3/8"-16 Hex Nuts.
3. Excavate one 10" diameter hole, 36" deep, at the installation location. **(A deeper excavated hole or shortening the In Ground Post Extension will be required if desired age groups are between 2-12)** Be sure to account for surfacing thickness if it is to be used.

Finished Height Guideline: (Ages 2-5, 28.75") (Ages 5-12, 32.75") (Ages 13+, 36.75")

4. With two people, lower Instrument with Post Extension attached into the excavated hole. Verify correct placement and levelness of the Instrument. Check for sufficient clearance around the Instrument, a 36" perimeter around the Instrument is recommended for wheelchair accessibility.
5. Last pour concrete around the In Ground Extension. If necessary, brace the Instrument to hold it rigid while the concrete cures. Leave to set according to the concrete manufacturers guidelines. Approximately (3) 80lb. bags will be needed.

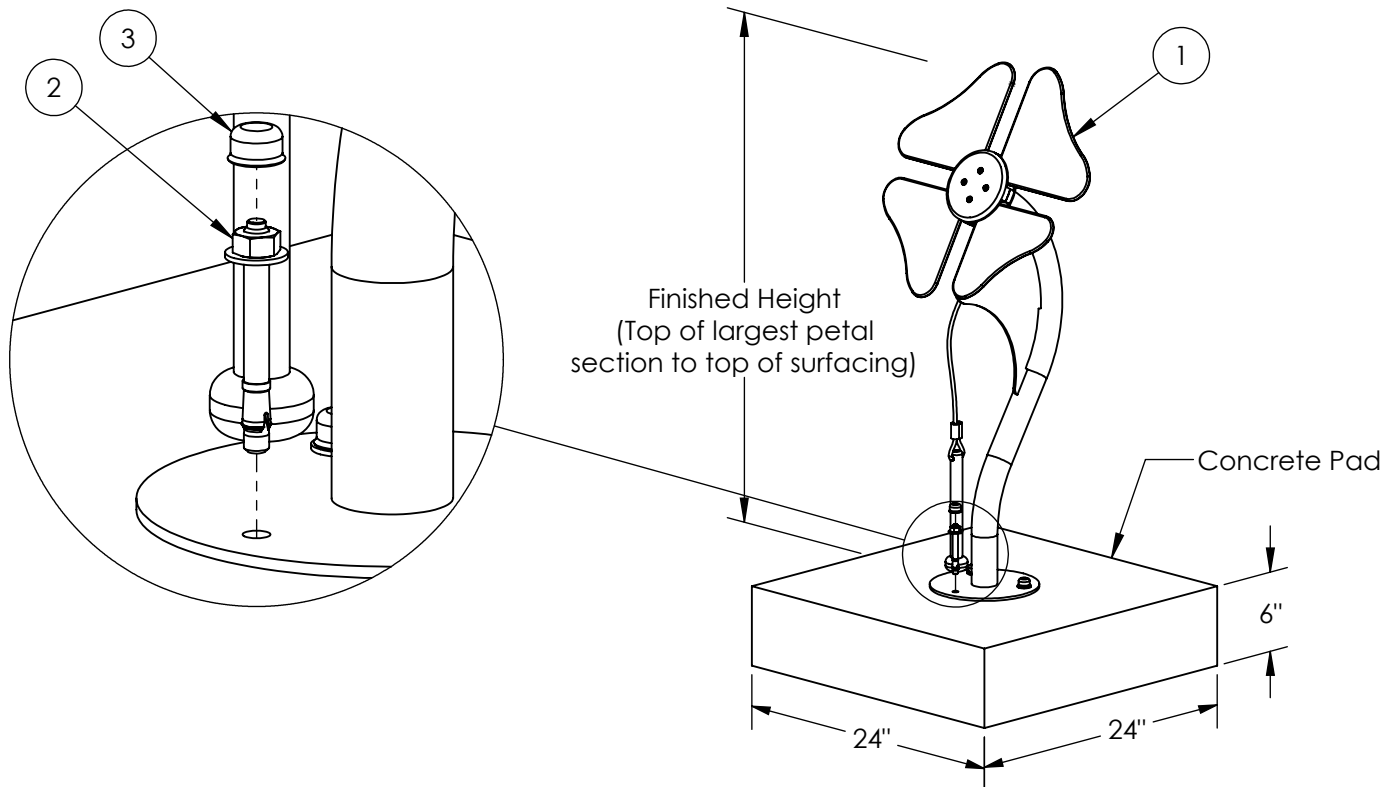
ITEM NO.	PART NUMBER	DESCRIPTION	QTY.
1	FWR-T-BOM	Pre-Assembly - Turquoise Flower Instrument	1
2	POST-STL-IG-EXT-FP	In Ground Steel Post Extension (Powder-coated)	1
3	92240A624	3/8"-16 Hex Head Screw, 1"lg. SS	3
4	91845A031	3/8"-16 Hex Nut, SS	3



Surface Mount Installation Instructions

1. Standard finished height for the Surface Mounted Turquoise Flower is 38.75". (Recessing the concrete pad below the finished surfacing will be required if desired age groups are between 2-12) Be sure to account for surfacing thickness if it is to be used.
Finished Height Guideline: (Ages 2-5, 30.75") (Ages 5-12, 34.75") (Ages 13+, 38.75")
2. Determine installation location. Verify concrete pad is a minimum of 24" long x 24" wide x 6" thick. If the concrete pad is at an angle, steel washers are required to act as shims (Shims not provided). If there is not already an existing pad, approximately (4) 80lb. bags will be needed. Allow concrete to cure per concrete manufacturers guidelines.
3. With two people place the Instrument Assembly onto the concrete pad and mark the center of the holes on the surface mount base. After you have made your marks, set aside the Instrument in order to drill for anchor holes. With a hammer or rotary drill, drill through concrete at marked locations. Drill to a minimum depth of 4". A 3/8" masonry drill bit will be needed.
4. Place the Instrument back over the drilled out holes. Insert provided anchor bolts into aligned holes. Position anchor nut so that it is flush with the top of the bolt. Pound anchor bolts into the hole until the anchor washer is flush with the surface mount base. Tighten anchor bolts until they are snug. Cover remaining bolt sections with provided nut caps.
5. Verify the correct placement, levelness, and finished height of the Instrument. Check for sufficient clearance around the Instrument, a 36" perimeter around the Instrument is recommended for wheelchair accessibility.
6. If installing onto wet concrete, us the wet set anchor manufacturers guidelines for installation procedures.

ITEM NO.	PART NUMBER	DESCRIPTION	QTY.
1	FWR-T-BOM	Pre-Assembly - Turquoise Flower Instrument	1
2	POW 07315	3/8"-16 Wedge Expansion Anchor, 3.75"lg. SS	3
3	9267K43	35/64" Hex Nut Cap	3



Portable Mount Installation Instructions

1. With two people have one situate the Instrument Assembly onto the Portable Stand and align the holes.
2. Have the second person secure the Instrument to the Portable Stand with the provided 3/8"-16 Thumb Screws. Thumb Screws should be tightened snugly to prevent any raddling during play. The 3/8"-16 Hex Nuts are pre-pressed into the Portable Stand from the Factory.

ITEM NO.	PART NUMBER	DESCRIPTION	QTY.
1	FWR-T-BOM	Pre-Assembly - Turquoise Flower Instrument	1
2	FWR_BFLY-PM-PS	Flower and Butterfly - HDPE Portable Stand (1" Black)	1
3	91185A867	3/8"-16 Thumb Screw, 1"lg. SS	3
4	91845A031	3/8"-16 Hex Nut, SS	3

