

# BOSSA NOVA DRUMS - INSTALLATION GUIDE

## Table of Contents

Sheet 1: Pre-install Instructions, Bill of Materials  
 Sheet 2: Bill of Materials (continued)  
 Sheet 3: In Ground Installation  
 Sheet 4: Surface Mount Installation  
 Sheet 4: Portable Mount Installation  
 Sheet 5: Specs, Height, and Replacement Parts

MATERIALS	
ITEM	MATERIAL
BODY/ POST EXTENSION	POWDER COATED STEEL
HARDWARE	STAINLESS STEEL
DRUMHEAD	SYNTHETIC/ PLASTIC
PORTABLE BASE	HDPE

## Pre-install Instructions

Determine layout style and mark layout. The drums can be laid out in a variety of styles such as an arc, cluster, or straight-line. Mark the location of one drum. Measuring from this point, mark the locations of the other two drums. Note that drums must maintain a 9" distance between each drum to meet ASTM requirements for a designated play area. Drums must also be installed in-ground or have surface-mount hardware covered by surfacing to be ASTM compliant.

IN GROUND MOUNT								
ITEM NO.	PART NUMBER	DESCRIPTION	DRUM-LRG-MOSS-IG	DRUM-MED-MOSS-IG	DRUM-SML-MOSS-IG	DRUM-LRG-TAUPE-IG	DRUM-MED-TAUPE-IG	DRUM-SML-TAUPE-IG
1	DRUM-LRG-MOSS	BOSSA NOVA DRUM-LARGE-MOSS	1	-	-	-	-	-
2	DRUM-MED-MOSS	BOSSA NOVA DRUM-MEDIUM-MOSS	-	1	-	-	-	-
3	DRUM-SML-MOSS	BOSSA NOVA DRUM-SMALL-MOSS	-	-	1	-	-	-
4	DRUM-LRG-TAUPE	BOSSA NOVA DRUM-LARGE-TAUPE	-	-	-	1	-	-
5	DRUM-MED-TAUPE	BOSSA NOVA DRUM-MEDIUM-TAUPE	-	-	-	-	1	-
6	DRUM-SML-TAUPE	BOSSA NOVA DRUM-SMALL-TAUPE	-	-	-	-	-	1
7	91845A031	3/8"-16 HEX NUT, SS	4	4	4	4	4	4
8	POST-STL-IG-EXT-FP	IN GROUND STEEL POST EXTENSION (POWDER-COATED)	1	1	1	1	1	1
9	92240A624	3/8"-16 HEX HEAD SCREW, 1"LG. SS	4	4	4	4	4	4
10	209728-12	LOCTITE HEAVY DUTY THREADLOCKER, 0.2OZ, BLUE 242	1	1	1	1	1	1
SURFACE MOUNT								
ITEM NO.	PART NUMBER	DESCRIPTION	DRUM-LRG-MOSS-SM	DRUM-MED-MOSS-SM	DRUM-SML-MOSS-SM	DRUM-LRG-TAUPE-SM	DRUM-MED-TAUPE-SM	DRUM-SML-TAUPE-SM
1	DRUM-LRG-MOSS	BOSSA NOVA DRUM-LARGE-MOSS	1	-	-	-	-	-
2	DRUM-MED-MOSS	BOSSA NOVA DRUM-MEDIUM-MOSS	-	1	-	-	-	-
3	DRUM-SML-MOSS	BOSSA NOVA DRUM-SMALL-MOSS	-	-	1	-	-	-
4	DRUM-LRG-TAUPE	BOSSA NOVA DRUM-LARGE-TAUPE	-	-	-	1	-	-
5	DRUM-MED-TAUPE	BOSSA NOVA DRUM-MEDIUM-TAUPE	-	-	-	-	1	-
6	DRUM-SML-TAUPE	BOSSA NOVA DRUM-SMALL-TAUPE	-	-	-	-	-	1
11	9267K43	35/64" HEX NUT CAP	4	4	4	4	4	4
12	POW 07315	3/8"-16 WEDGE EXPANSION ANCHOR, 3.75"LG. SS	4	4	4	4	4	4

# BOSSA NOVA DRUMS - INSTALLATION GUIDE

PORTABLE MOUNT								
ITEM NO.	PART NUMBER	DESCRIPTION	DRUM-LRG-MOSS-PM	DRUM-MED-MOSS-PM	DRUM-SML-MOSS-PM	DRUM-LRG-TAUPE-PM	DRUM-MED-TAUPE-PM	DRUM-SML-TAUPE-PM
1	DRUM-LRG-MOSS	BOSSA NOVA DRUM-LARGE-MOSS	1	-	-	-	-	-
2	DRUM-MED-MOSS	BOSSA NOVA DRUM-MEDIUM-MOSS	-	1	-	-	-	-
3	DRUM-SML-MOSS	BOSSA NOVA DRUM-SMALL-MOSS	-	-	1	-	-	-
4	DRUM-LRG-TAUPE	BOSSA NOVA DRUM-LARGE-TAUPE	-	-	-	1	-	-
5	DRUM-MED-TAUPE	BOSSA NOVA DRUM-MEDIUM-TAUPE	-	-	-	-	1	-
6	DRUM-SML-TAUPE	BOSSA NOVA DRUM-SMALL-TAUPE	-	-	-	-	-	1
13	91185A867	3/8"-16 THUMB SCREW, 1"LG. SS	4	4	4	4	4	4
14	PM-PS-24	UNIVERSAL PORTABLE MOUNT STAND - 24" OUTER DIAMETER	1	1	1	1	1	1
7	91845A031	3/8"-16 HEX NUT, SS	4	4	4	4	4	4
DRUM SETS								
ITEM NO.	PART NUMBER	DESCRIPTION	DRUM-SET-MOSS-IG	DRUM-SET-TAUPE-IG	DRUM-SET-MOSS-SM	DRUM-SET-TAUPE-SM	DRUM-SET-MOSS-PM	DRUM-SET-TAUPE-PM
1	DRUM-LRG-MOSS	BOSSA NOVA DRUM-LARGE-MOSS	1	-	1	-	1	-
2	DRUM-MED-MOSS	BOSSA NOVA DRUM-MEDIUM-MOSS	1	-	1	-	1	-
3	DRUM-SML-MOSS	BOSSA NOVA DRUM-SMALL-MOSS	1	-	1	-	1	-
4	DRUM-LRG-TAUPE	BOSSA NOVA DRUM-LARGE-TAUPE	-	1	-	1	-	1
5	DRUM-MED-TAUPE	BOSSA NOVA DRUM-MEDIUM-TAUPE	-	1	-	1	-	1
6	DRUM-SML-TAUPE	BOSSA NOVA DRUM-SMALL-TAUPE	-	1	-	1	-	1
8	POST-STL-IG-EXT-FP	IN GROUND STEEL POST EXTENSION (POWDER-COATED)	3	3	-	-	-	-
9	92240A624	3/8"-16 HEX HEAD SCREW, 1"LG. SS	12	12	-	-	-	-
7	91845A031	3/8"-16 HEX NUT, SS	12	12	-	-	12	12
10	209728-12	LOCTITE HEAVY DUTY THREADLOCKER, 0.2OZ, BLUE 242	3	3	-	-	-	-
11	9267K43	35/64" HEX NUT CAP	-	-	12	12	-	-
12	POW 07315	3/8"-16 WEDGE EXPANSION ANCHOR, 3.75"LG. SS	-	-	12	12	-	-
13	91185A867	3/8"-16 THUMB SCREW, 1"LG. SS	-	-	-	-	12	12
14	PM-PS-24	UNIVERSAL PORTABLE MOUNT STAND - 24" OUTER DIAMETER	-	-	-	-	3	3

# IN GROUND INSTALLATION

## Step 1: Assemble Drums

After applying a few drops of thread-locking fluid to the ends of the bolt threads, use the 3/8" hex head bolts and 3/8" hex nuts to secure the post extensions to each drum.

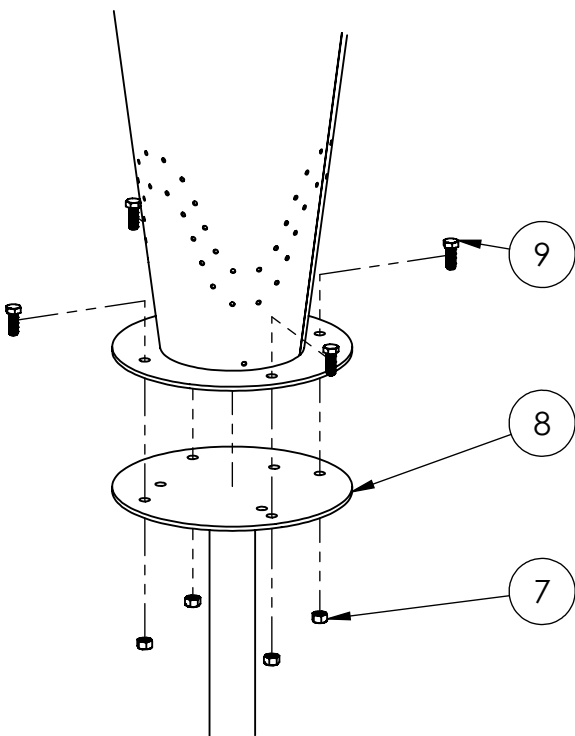
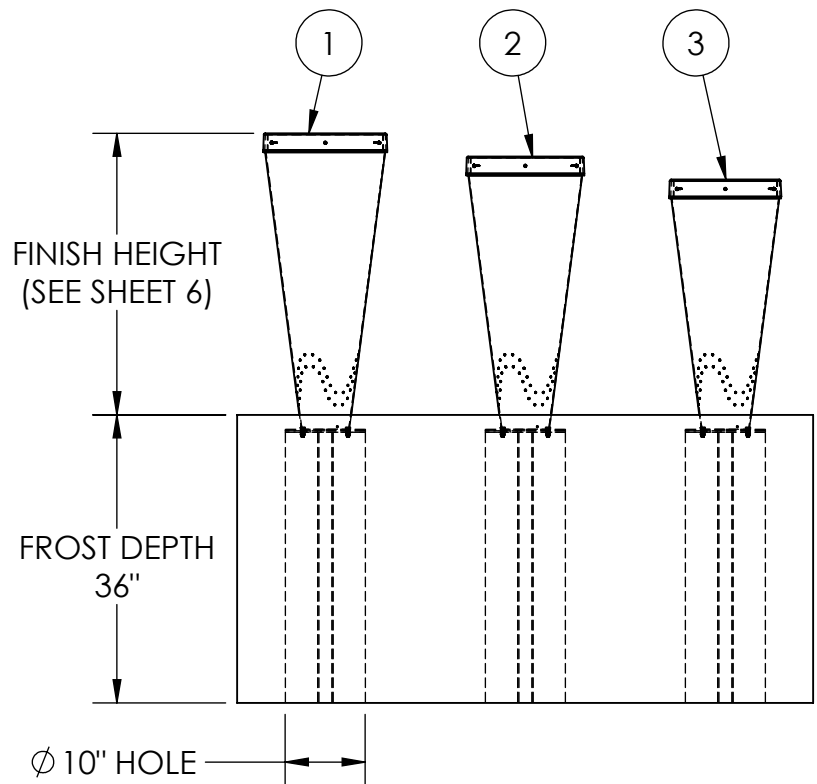
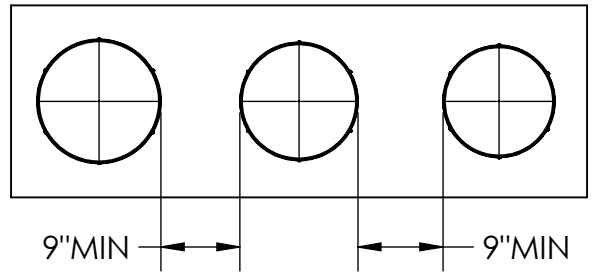
Step 2: Dig holes. After choosing your layout, excavate (3) 10" DIA holes 34" deep at the marked locations (1 hole per drum).

## Step 3: Place Drums

With two people, place each drum into its hole and verify the finish height of each drum. Adjust the hole depth if necessary to achieve the proper finish height. See sheet 6 for finish height recommendations.

## Step 4: Pour Concrete

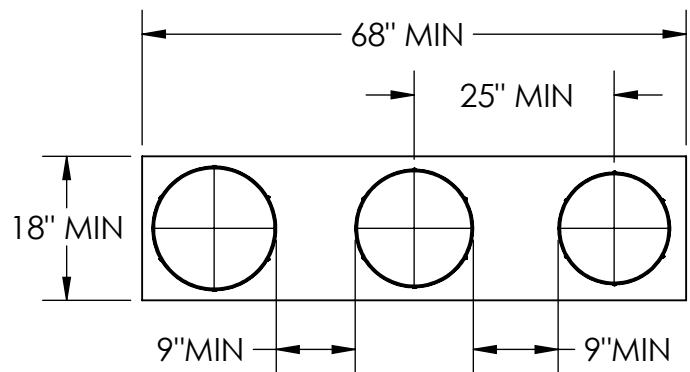
Pour concrete around the post extension within the hole and check that the drums are level. Leave concrete to set according to the concrete manufacturer's recommendations. If necessary, brace each drum to hold it level during the curing process. Approximately (9) 80lb bags of concrete will be needed for a full set, (3) bags per drum.



# SURFACE MOUNT INSTALLATION

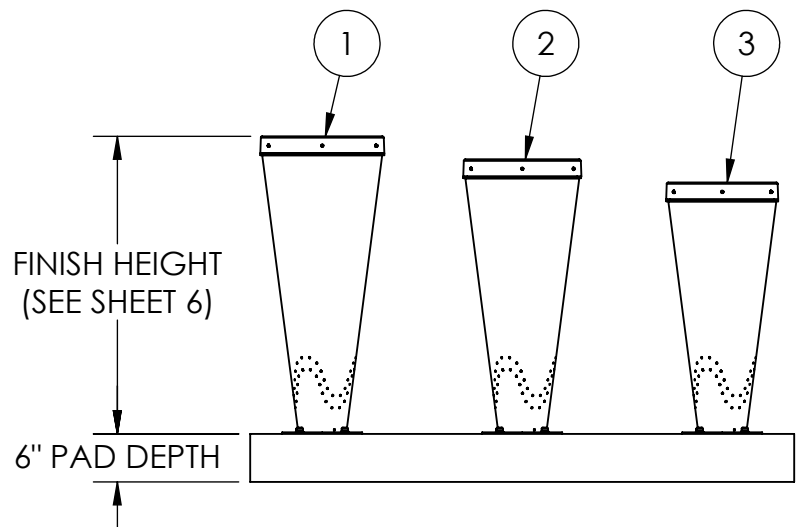
## Step 1: Pour Slab

Pour a concrete slab at least 18" long x 18" wide x 6" thick for each drum. A slab of 18" long x 68" wide x 6" deep can be used if drums are installed in a line. If using an existing slab, verify that the footing meets these dimensions. Make sure to verify the desired spacing between drums before pouring concrete. Verify that there is at least 9" of space between each drum (at least 25" apart center to center) if installed in a designated play area. Allow concrete to cure according to the manufacturer's recommendations.



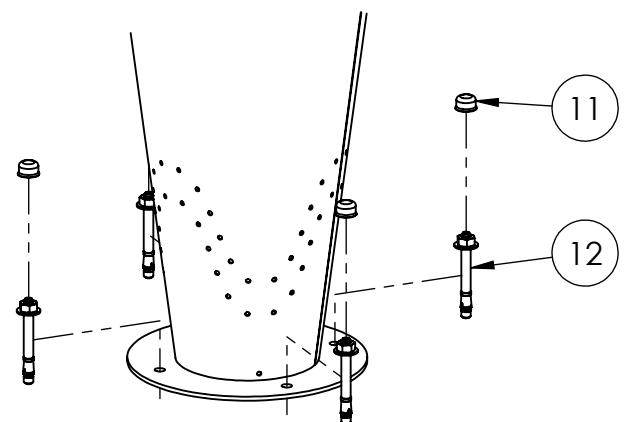
## Step 2: Drill pilot holes.

With two people, place each drum individually over the marked locations. Verify that there is at least 9" of space between each drum (at least 25" apart center to center) if installed in a designated play area. Mark the locations of the mounting holes at the base of each drum. Set drums aside. Using a hammer or rotary drill and masonry bit, drill 3/4" holes 4" deep into the concrete at the marked locations.



## Step 3: Secure drums.

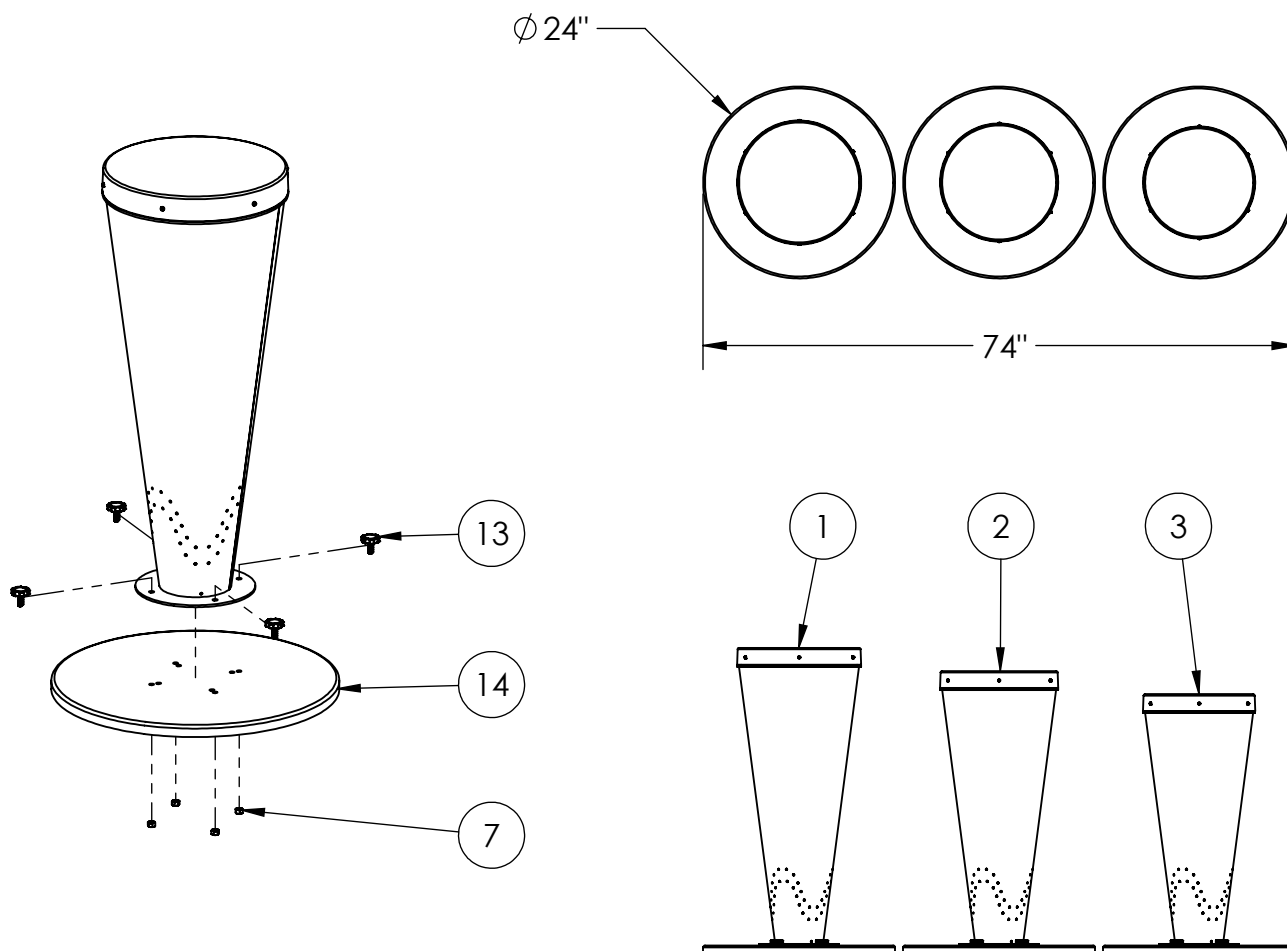
Place the drums back over the pilot holes. If the concrete pad is at an angle, steel washers can be used as shims to adjust the levelness of each drum. Insert anchor bolts through the base of each drum and into the pilot holes. Position the anchor nuts so that they are flush with the top of the bolts. Pound the anchor bolts into the holes until the anchor washers are flush with the drum base. Tighten the anchor bolts until they are snug. Cover the bolt heads with the caps.



# PORTABLE MOUNT INSTALLATION

## Step 1: Attach Drums to Bases

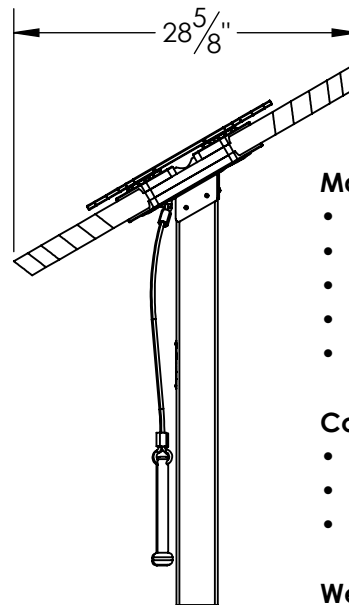
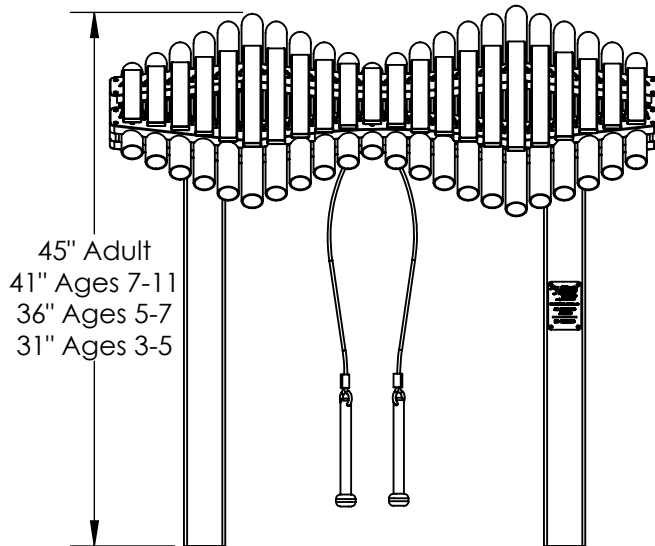
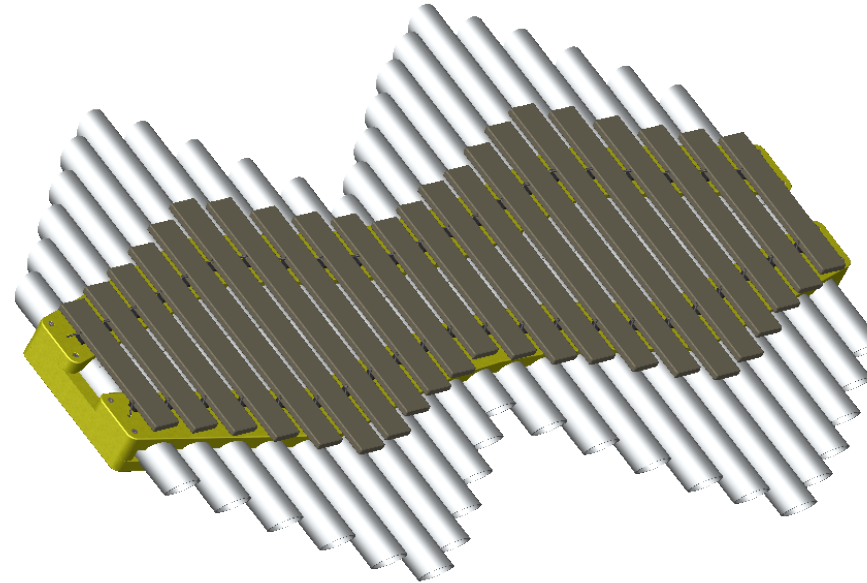
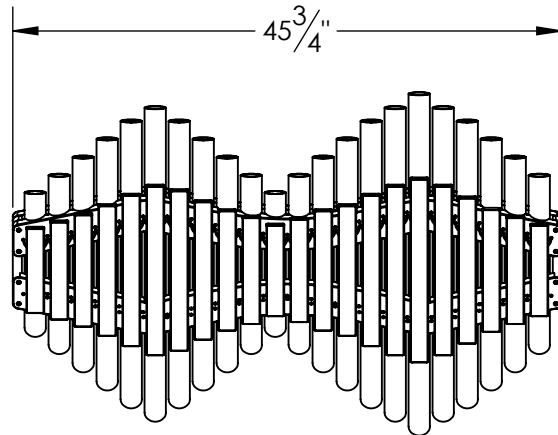
Using the provided hardware, secure each of the drums to the portable mount bases. Note that portable mount drums should not be placed in the designated play area, as this will fail to meet compliance standards.



# SPECS, FINISH HEIGHT, AND REPLACEMENT PARTS

WEIGHTS AND DIMENSIONS							
IN GROUND MOUNT							
	DRUM-LRG-MOSS-IG / DRUM-LRG-TAUPE-IG	DRUM-MED-MOSS-IG / DRUM-MED-TAUPE-IG	DRUM-SML-MOSS-IG / DRUM-SML-TAUPE-IG				
FINISH HEIGHT (BOLT HEADS COVERED)	35.20	32.31	29.42				
DIAMETER	15.5	14.75	13.5				
WEIGHT	43	39	37				
PACKAGED WEIGHT	50	46	44				
SURFACE MOUNT							
	DRUM-LRG-MOSS-SM / DRUM-LRG-TAUPE-SM	DRUM-MED-MOSS-SM / DRUM-MED-TAUPE-SM	DRUM-SML-MOSS-SM / DRUM-SML-TAUPE-SM				
FINISH HEIGHT	37.20	34.31	31.42				
DIAMETER	15.5	14.75	13.5				
WEIGHT	42	38	36				
PACKAGED WEIGHT	49	45	43				
PORTABLE MOUNT							
	DRUM-SET-MOSS-IG / DRUM-SET-TAUPE-IG	DRUM-SET-MOSS-SM / DRUM-SET-TAUPE-SM	DRUM-SET-MOSS-PM / DRUM-SET-TAUPE-PM				
FINISH HEIGHT	38.2	35.31	32.42				
DIAMETER	24	24	24				
WEIGHT	43	39	37				
PACKAGED WEIGHT	50	46	44				
DRUM SETS							
	DRUM-SET-MOSS-IG / DRUM-SET-TAUPE-IG	DRUM-SET-MOSS-SM / DRUM-SET-TAUPE-SM	DRUM-SET-MOSS-PM / DRUM-SET-TAUPE-PM				
FINISH HEIGHT (LARGE DRUM)	35.20	37.20	38.2				
TOTAL WIDTH	64.75	64.75	74				
DEPTH	15.66	15.66	24				
WEIGHT	133	130	133				
PACKAGED WEIGHT	140	137	140				
REPLACEMENT PARTS							
PART NUMBER	DESCRIPTION	DRUM-LRG-MOSS	DRUM-MED-MOSS	DRUM-SML-MOSS	DRUM-TAUPE-LRG	DRUM-TAUPE-MED	DRUM-TAUPE-SML
DRUM-DRUMHEAD-LRG-MOSS	BOSSA NOVA DRUM DRUMHEAD-LARGE-MOSS	1	-	-	-	-	-
DRUM-DRUMHEAD-MED-MOSS	BOSSA NOVA DRUM DRUMHEAD-MEDIUM-MOSS	-	1	-	-	-	-
DRUM-DRUMHEAD-SML-MOSS	BOSSA NOVA DRUM DRUMHEAD-SMALL-MOSS	-	-	1	-	-	-
DRUM-DRUMHEAD-LRG-TAUPE	BOSSA NOVA DRUM DRUMHEAD-LARGE-TAUPE	-	-	-	1	-	-
DRUM-DRUMHEAD-MED-TAUPE	BOSSA NOVA DRUM DRUMHEAD-MEDIUM-TAUPE	-	-	-	-	1	-
DRUM-DRUMHEAD-SML-TAUPE	BOSSA NOVA DRUM DRUMHEAD-SMALL-TAUPE	-	-	-	-	-	1
92970A203	TAMPER-RESISTANT ROUNDED HEAD DRILLING SCREWS	6	6	6	6	6	6

# IMBARIMBA INSTALLATION GUIDE



### Main Features:

- (LH) C Major / (RH) A Minor Pentatonic
- Recycled HDPE Frame
- Coated Fiberglass Bars
- Anodized Aluminum Resonators
- Stainless Steel Hardware

### Contents:

- SHEET 2 - Parts List and Instrument to Post Installation
- SHEET 3 - In Ground Installation
- SHEET 4 - Surface Mount Installation

### Weights:

- Instrument Weight, 49lbs.
- Boxed Instrument Weight, 60lbs.
- Boxed Posts Weight, 35-72lbs.

TITLE:  
Imbarimba - Installation Guide

DWG. NO. IMBA-INSTALL

REVISION: B

SCALE: 1:16

DATE: 3/21/2018

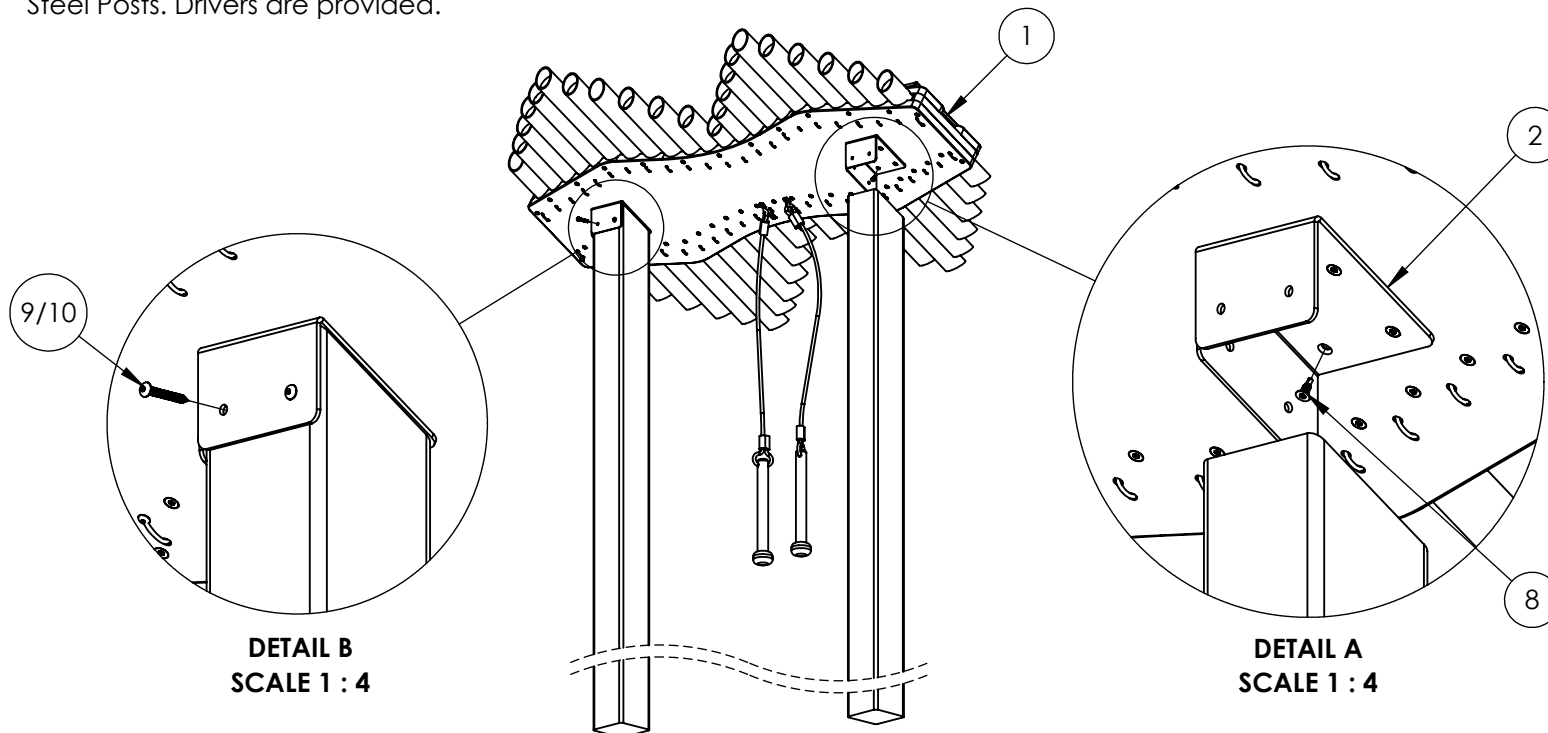
SHEET 1 OF 4

**Parts List:**

ITEM NO.	PART DESCRIPTION	In Ground - Recycled Post/QTY.	In Ground - Steel Post/QTY.	Surface Mount Recycled Post/QTY.	Surface Mount Steel Post/QTY.
1	Imbarimba Instrument Assembly	1	1	1	1
2	Small SS Holster	2	2	2	2
3	In Ground Recycled Post, 72"lg.	2	-	-	-
4	In Ground Steel Post, 72"lg.	-	2	-	-
5	Surface Mount Recycled Post, 36"lg.	-	-	2	-
6	Surface Mount Steel Post, 36"lg.	-	-	-	2
7	Surface Mount Base, For Recycled Post	-	-	2	-
8	#8 Flat Head Screw, .5"lg. SS, T15 tamp	8	8	8	8
9	#8 Button Head Screw, 1.25"lg. SS, T15 tamp	10	-	10	-
10	#10-24 Button Head Machine Screw, 1"lg. SS, T25 tamp	-	10	-	10
11	5/16" Hex Head Lag Bolt, 5"lg. SS	-	-	4	-
12	3/8"-16 Wedge Expansion Anchor, SS	-	-	8	8
13	35/64" Hex Nut Cap	-	-	8	8
14	Security Driver	1	2	1	2

**Step 1:** Start by mounting the Holsters to the Instrument Back with the provided #8 Flat Head Screws and Driver. The Back comes predrilled. Screw heads should be flush with the Holster surface when properly installed. Holster should also be flush along the back. Drive Screws slowly to prevent stripping.

**Step 2:** With two people, situate the Instrument with Holsters installed onto the Posts. Posts come predrilled and/or tapped. Fasten the Instrument to the Posts with the provided #8 Button Head Screw for Recycled Posts or #10-24 Button Head Machine Screw for Steel Posts. Drivers are provided.



**DETAIL B**  
SCALE 1 : 4

**DETAIL A**  
SCALE 1 : 4

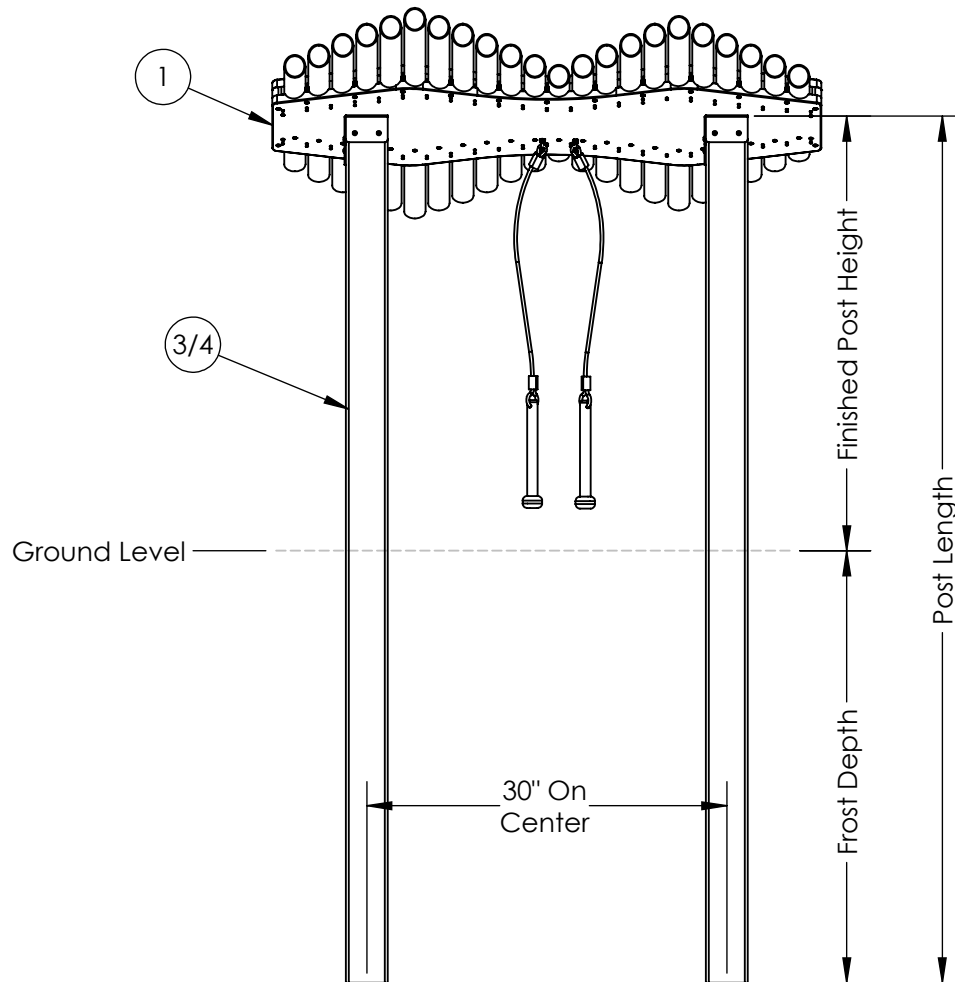
**Step 1:** Excavate two 10" diameter holes, 36" deep, and 30" on center at the installation location. Contractor can modify Post to desired height. **Post Length = Frost Depth (36" Recommended) + Finished Post Height**

**Finished Post Height Guideline:** (Ages 3-5, 22") (Ages 5-7, 27") (Ages 7-11, 32") (Adult, 36")

**Step 2:** With two people, lower the Posts with the Instrument attached into the excavated holes.

**Step 3:** Verify the correct placement, levelness, and finished height of the Instrument. Check for sufficient clearance around the Instrument, a 36" perimeter around the Instrument is recommended for wheelchair accessibility.

**Step 4:** Last pour concrete around the posts. It is recommended to brace the Instrument to hold it rigid while the concrete cures. Leave to set according to the concrete manufacturers guidelines. Approximately (6) 80lb. bags will be needed.



TITLE:  
**In Ground Installation**

DWG. NO. **IMBA-INSTALL**

REVISION: B

SCALE: 1:16

DATE: 3/21/2018

SHEET 3 OF 4

**Step 1:** Standard height for Surface Mount Posts are 36". The Recycled Posts may be modified in the field to the following heights:  
 (Ages 3-5, 22") (Ages 5-7, 27") (Ages 7-11, 32") (Adult, 36")  
 The height of Surface Mount Steel Posts can not be adjusted.

**Step 2:** Determine installation location. Verify concrete footing is a minimum of 48" long x 24" wide x 6" thick. If the concrete pad is at an angle, steel washers are required to act as shims (Shims not provided). If there is not already an existing pad, approximately (7) 80lb. bags will be needed. Allow concrete to cure per concrete manufacturers guidelines.

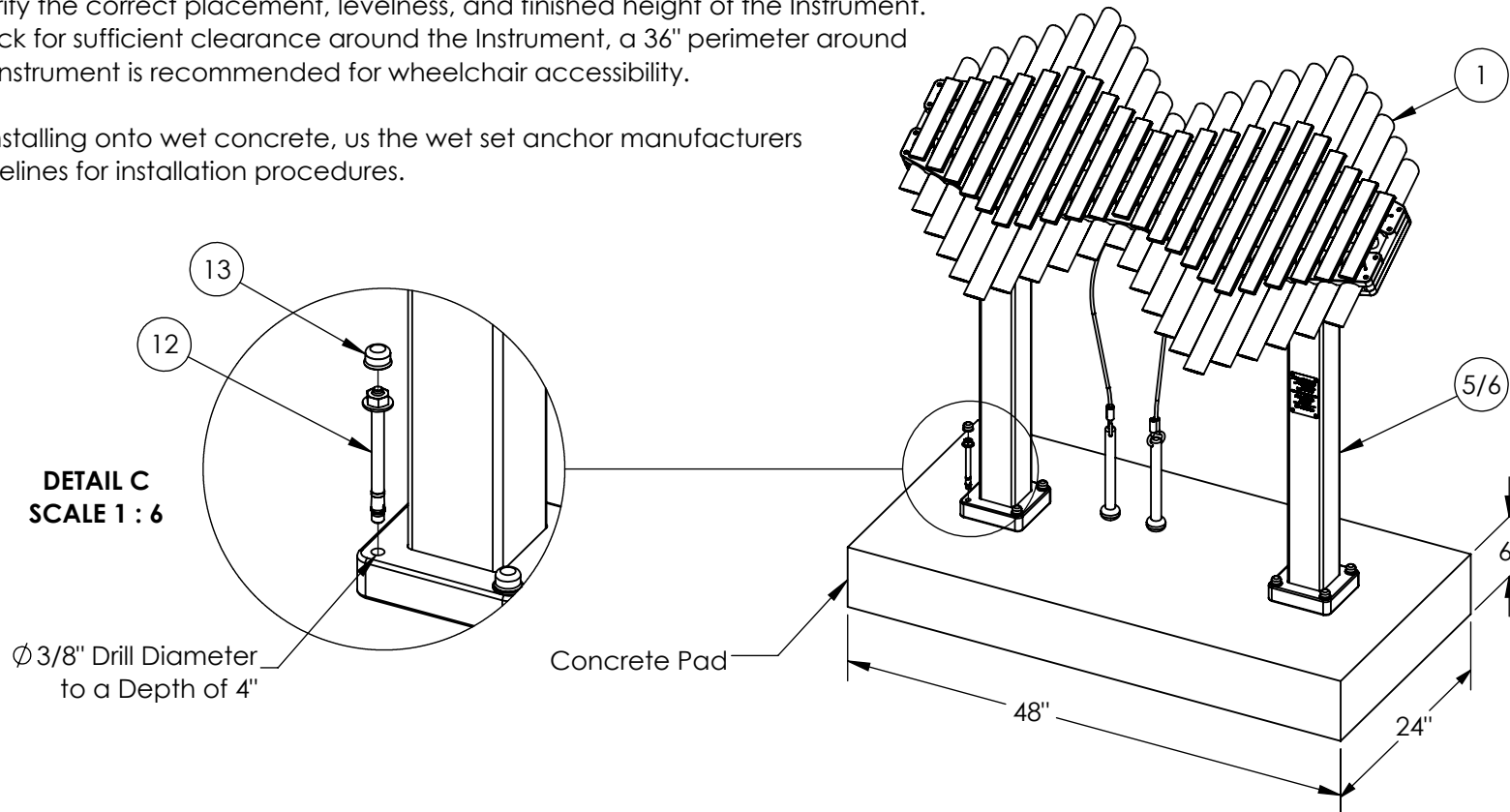
**Step 3 (Recycled Post Only):** Install the Surface Mount Bases to the bottom of the Posts. Align the holes on the Bases with the holes on the Posts. The Bases should fit snugly around the Posts. Fasten them together with the provided 5/16" Hex Head Lag Bolts.

**Step 4:** With two people place the Instrument Assembly with Posts attached onto the concrete pad and mark the center of the holes on the surface mount bases. After you have made your marks, set aside the Instrument in order to drill for anchor holes. With a hammer or rotary drill, drill through concrete at marked locations. Drill to a minimum depth of 4". A 3/8" masonry drill bit will be needed.

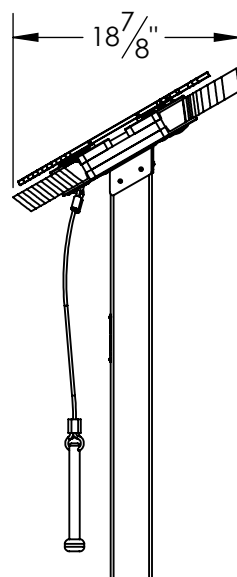
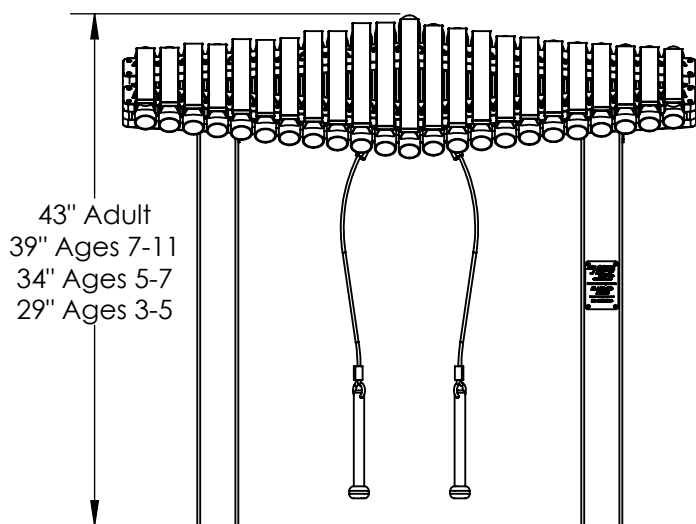
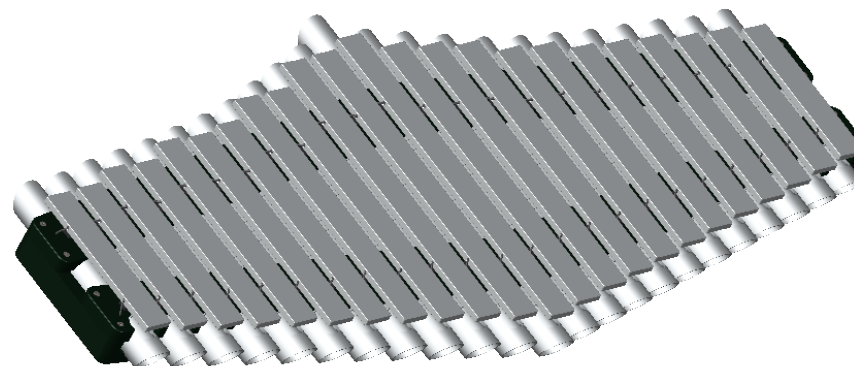
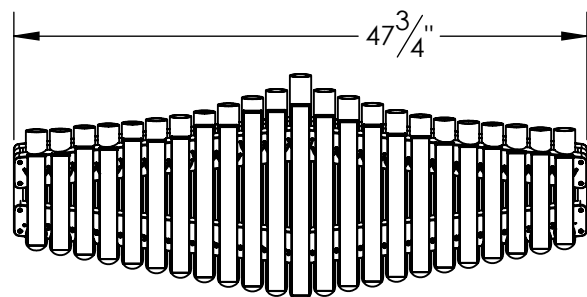
**Step 5:** Place the Instrument back over the drilled out holes. Insert provided anchor bolts into aligned holes. Position anchor nut so that it is flush with the top of the bolt. Pound anchor bolts into the hole until the anchor washer is flush with the surface mount bases. Tighten anchor bolts until they are snug. Cover remaining bolt sections with provided nut caps.

**Step 6:** Verify the correct placement, levelness, and finished height of the Instrument. Check for sufficient clearance around the Instrument, a 36" perimeter around the Instrument is recommended for wheelchair accessibility.

**Step 7:** If installing onto wet concrete, us the wet set anchor manufacturers guidelines for installation procedures.



# PEGASUS INSTALLATION GUIDE



### Main Features:

- (LH) A Minor / (RH) C Major Pentatonic
- Recycled HDPE Frame
- Anodized Aluminum Bars & Resonators
- Stainless Steel Hardware

### Contents:

- SHEET 2 - Parts List and Instrument to Post Installation
- SHEET 3 - In Ground Installation
- SHEET 4 - Surface Mount Installation

### Weights:

- Instrument Weight, 49lbs.
- Boxed Instrument Weight, 60lbs.
- Boxed Posts Weight, 35-72lbs.

TITLE:  
Pegasus - Installation Guide

DWG. NO. PEG-INSTALL

REVISION: B

SCALE: 1:16

DATE: 3/23/2018

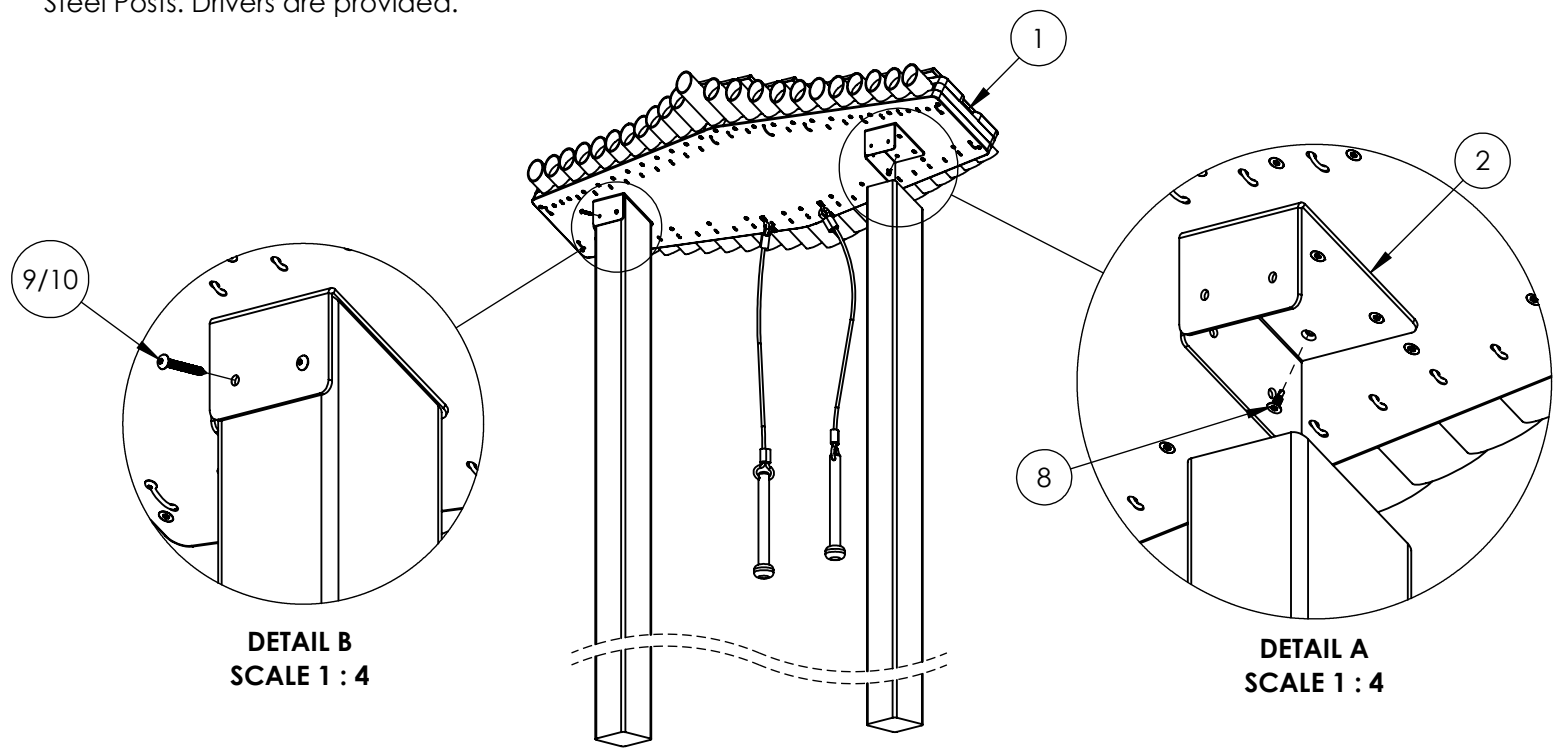
SHEET 1 OF 4

**Parts List:**

ITEM NO.	PART DESCRIPTION	In Ground - Recycled Post/QTY.	In Ground - Steel Post/QTY.	Surface Mount Recycled Post/QTY.	Surface Mount Steel Post/QTY.
1	Pegasus Instrument Assembly	1	1	1	1
2	Small SS Holster	2	2	2	2
3	In Ground Recycled Post, 72"lg.	2	-	-	-
4	In Ground Steel Post, 72"lg.	-	2	-	-
5	Surface Mount Recycled Post, 36"lg.	-	-	2	-
6	Surface Mount Steel Post, 36"lg.	-	-	-	2
7	Surface Mount Base, For Recycled Post	-	-	2	-
8	#8 Flat Head Screw, .5"lg. SS, T15 tamp	8	8	8	8
9	#8 Button Head Screw, 1.25"lg. SS, T15 tamp	10	-	10	-
10	#10-24 Button Head Machine Screw, 1"lg. SS, T25 tamp	-	10	-	10
11	5/16" Hex Head Lag Bolt, 5"lg. SS	-	-	4	-
12	3/8"-16 Wedge Expansion Anchor, SS	-	-	8	8
13	35/64" Hex Nut Cap	-	-	8	8
14	Security Driver	1	2	1	2

**Step 1:** Start by mounting the Holsters to the Instrument Back with the provided #8 Flat Head Screws and Driver. The Back comes predrilled. Screw heads should be flush with the Holster surface when properly installed. Holster should also be flush along the back. Drive Screws slowly to prevent stripping.

**Step 2:** With two people, situate the Instrument with Holsters installed onto the Posts. Posts come predrilled and/or tapped. Fasten the Instrument to the Posts with the provided #8 Button Head Screw for Recycled Posts or #10-24 Button Head Machine Screw for Steel Posts. Drivers are provided.



**DETAIL B**  
SCALE 1 : 4

**DETAIL A**  
SCALE 1 : 4

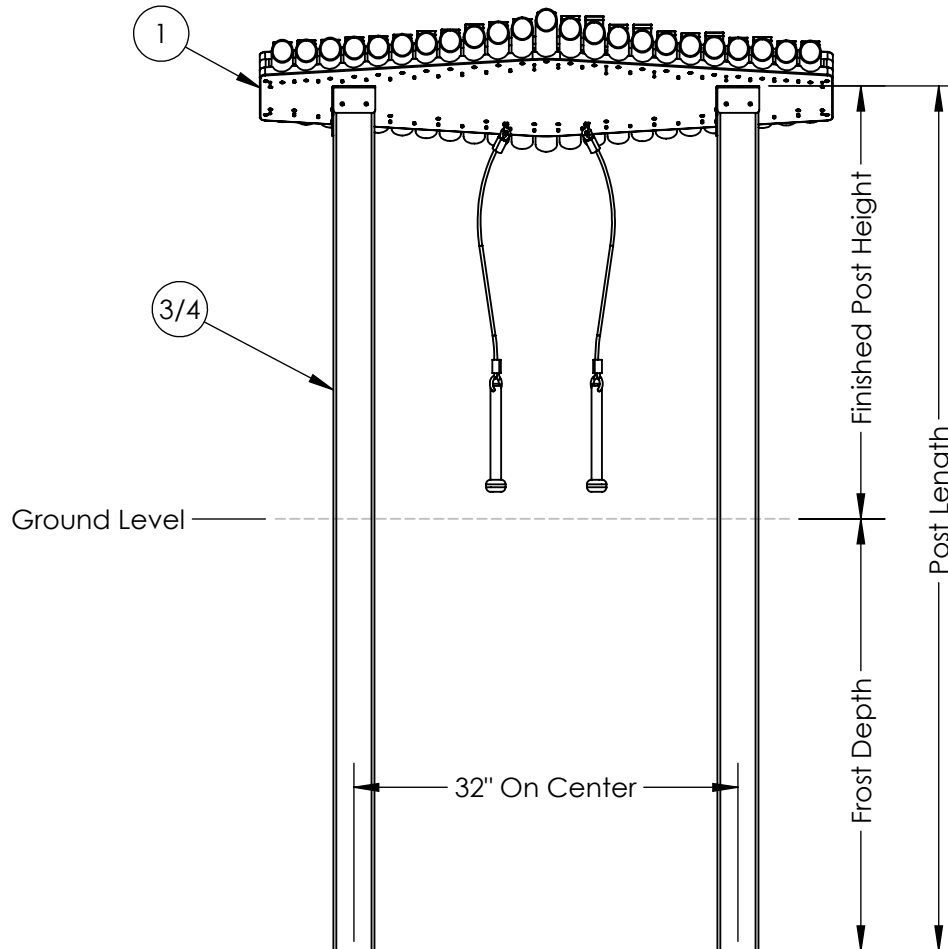
**Step 1:** Excavate two 10" diameter holes, 36" deep, and 32" on center at the installation location. Contractor can modify Post to desired height. **Post Length = Frost Depth (36" Recommended) + Finished Post Height**

**Finished Post Height Guideline:** (Ages 3-5, 22") (Ages 5-7, 27") (Ages 7-11, 32") (Adult, 36")

**Step 2:** With two people, lower the Posts with the Instrument attached into the excavated holes.

**Step 3:** Verify the correct placement, levelness, and finished height of the Instrument. Check for sufficient clearance around the Instrument, a 36" perimeter around the Instrument is recommended for wheelchair accessibility.

**Step 4:** Last pour concrete around the posts. It is recommended to brace the Instrument to hold it rigid while the concrete cures. Leave to set according to the concrete manufacturers guidelines. Approximately (6) 80lb. bags will be needed.



TITLE:  
**In Ground Installation**

DWG. NO. **PEG-INSTALL**

REVISION: B

SCALE: 1:16

DATE: 3/23/2018

SHEET 3 OF 4

**Step 1:** Standard height for Surface Mount Posts are 36". The Recycled Posts may be modified in the field to the following heights:  
 (Ages 3-5, 22") (Ages 5-7, 27") (Ages 7-11, 32") (Adult, 36")  
 The height of Surface Mount Steel Posts can not be adjusted.

**Step 2:** Determine installation location. Verify concrete footing is a minimum of 48" long x 24" wide x 6" thick. If the concrete pad is at an angle, steel washers are required to act as shims (Shims not provided). If there is not already an existing pad, approximately (7) 80lb. bags will be needed. Allow concrete to cure per concrete manufacturers guidelines.

**Step 3 (Recycled Post Only):** Install the Surface Mount Bases to the bottom of the Posts. Align the holes on the Bases with the holes on the Posts. The Bases should fit snugly around the Posts. Fasten them together with the provided 5/16" Hex Head Lag Bolts.

**Step 4:** With two people place the Instrument Assembly with Posts attached onto the concrete pad and mark the center of the holes on the surface mount bases. After you have made your marks, set aside the Instrument in order to drill for anchor holes. With a hammer or rotary drill, drill through concrete at marked locations. Drill to a minimum depth of 4". A 3/8" masonry drill bit will be needed.

**Step 5:** Place the Instrument back over the drilled out holes. Insert provided anchor bolts into aligned holes. Position anchor nut so that it is flush with the top of the bolt. Pound anchor bolts into the hole until the anchor washer is flush with the surface mount bases. Tighten anchor bolts until they are snug. Cover remaining bolt sections with provided nut caps.

**Step 6:** Verify the correct placement, levelness, and finished height of the Instrument. Check for sufficient clearance around the Instrument, a 36" perimeter around the Instrument is recommended for wheelchair accessibility.

**Step 7:** If installing onto wet concrete, us the wet set anchor manufacturers guidelines for installation procedures.

