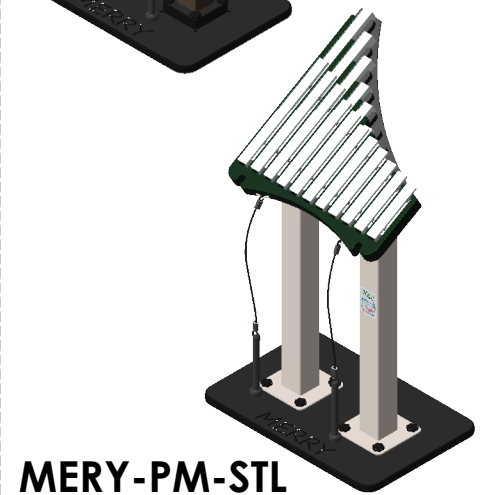
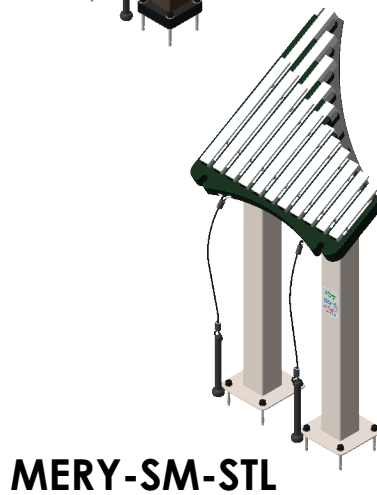
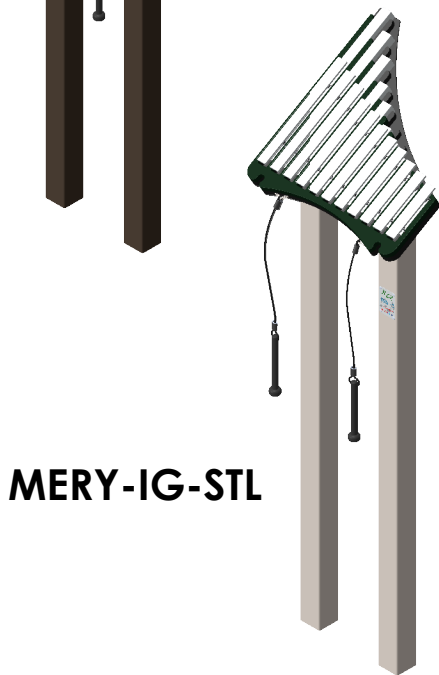
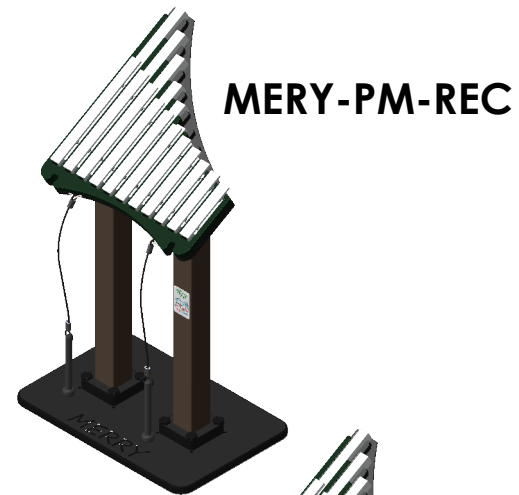
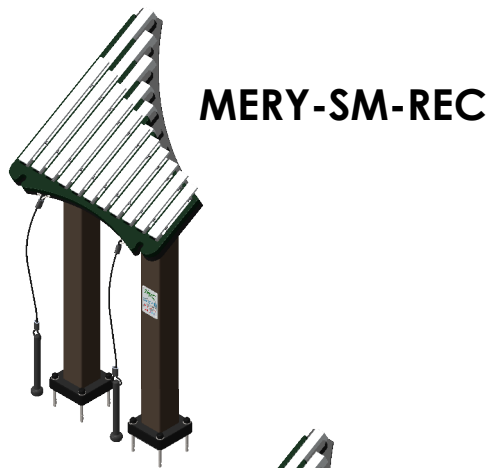
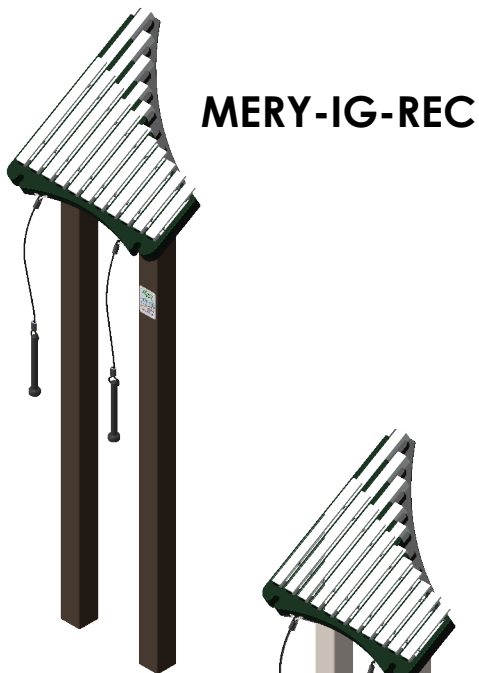
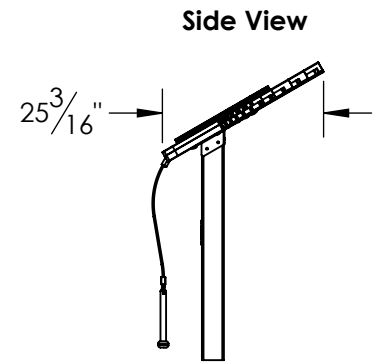
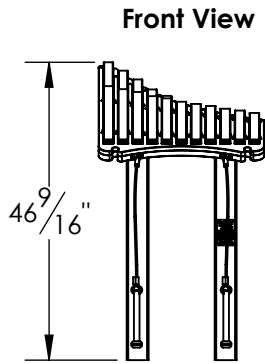
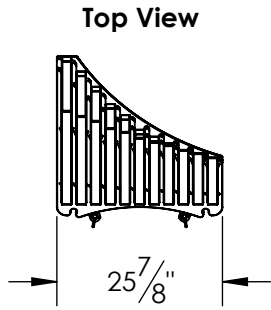


MERY-INSTALL

- C Major Pentatonic
- Recycled HDPE Frame
- Anodized Aluminum Bars and Resonators
- Stainless Steel Hardware

MERRY
INSTALLATION GUIDE



Inground, Sheet 2 and 3
Assembled Weight: ?
Combined Packaged Weight: ?

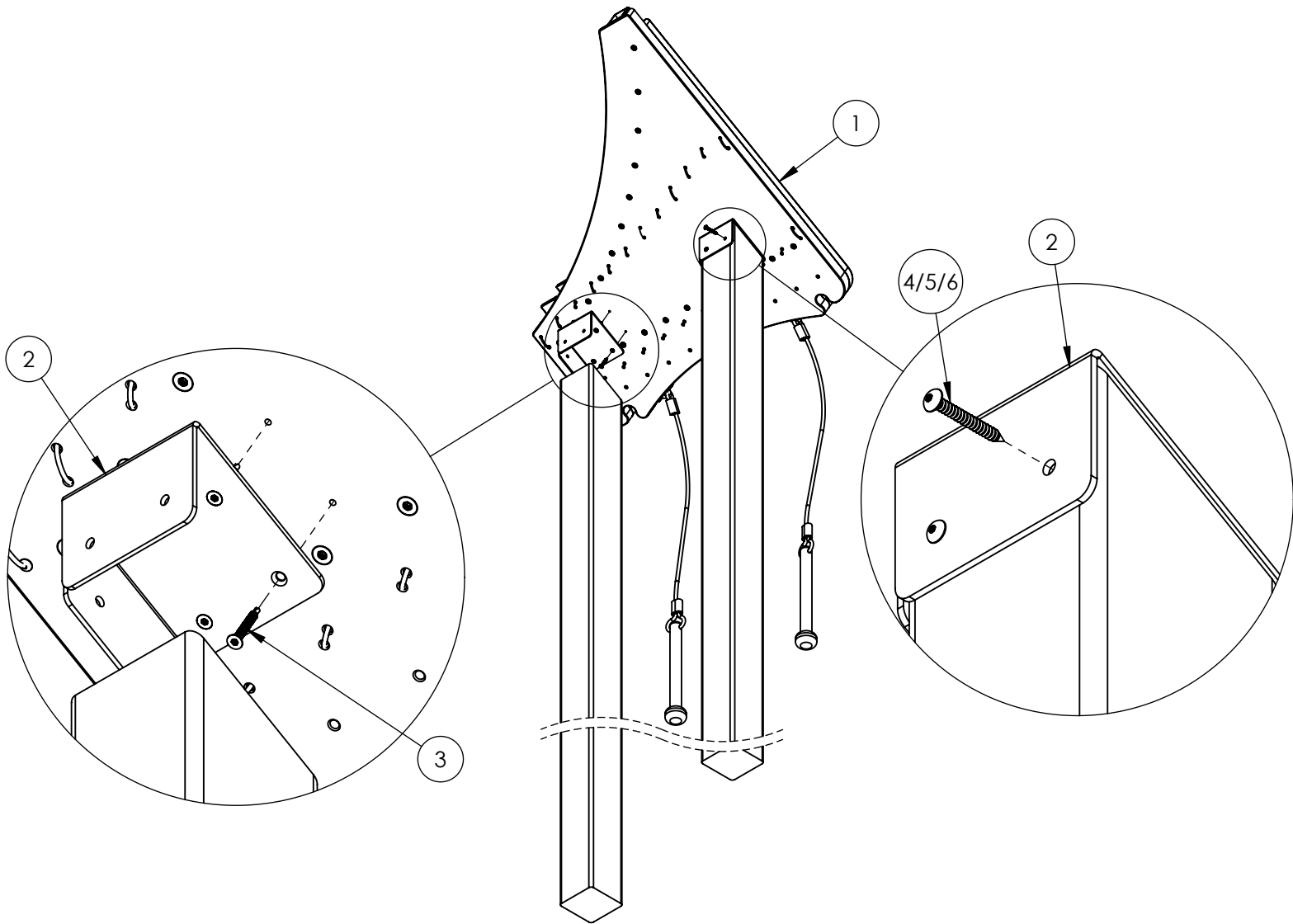
Surface Mount, Sheet 2 and 4
Assembled Weight: ?
Combined Packaged Weight: ?

Portable Mount, Sheet 2 and 5
Assembled Weight: ?
Combined Packaged Weight: ?

Assembly Instructions

1. Begin by mounting the Holsters to the back of the Instrument with the provided #8 Flat Head Screws and T15 Driver. The back is predrilled for the screws. Screw heads should be flush with the face of the Holster when properly installed and the Holster should also be flush along the back. Drive screws slowly to prevent stripping. Make sure that the Holsters are orientated as shown below so that when installed the Instrument will sit at a 30° angle.
2. With two people, situate the Instrument with Holsters attached onto the Posts. Posts come predrilled and/or tapped. Fasten the Instrument to the Posts with the provided #8 Button Head Screw for Recycled Posts or #10-24 Button Head Machine Screw for Steel Posts. Drivers are provided. Portable Options come with #10-24 Thumb Screws for ease of assembly and disassembly.

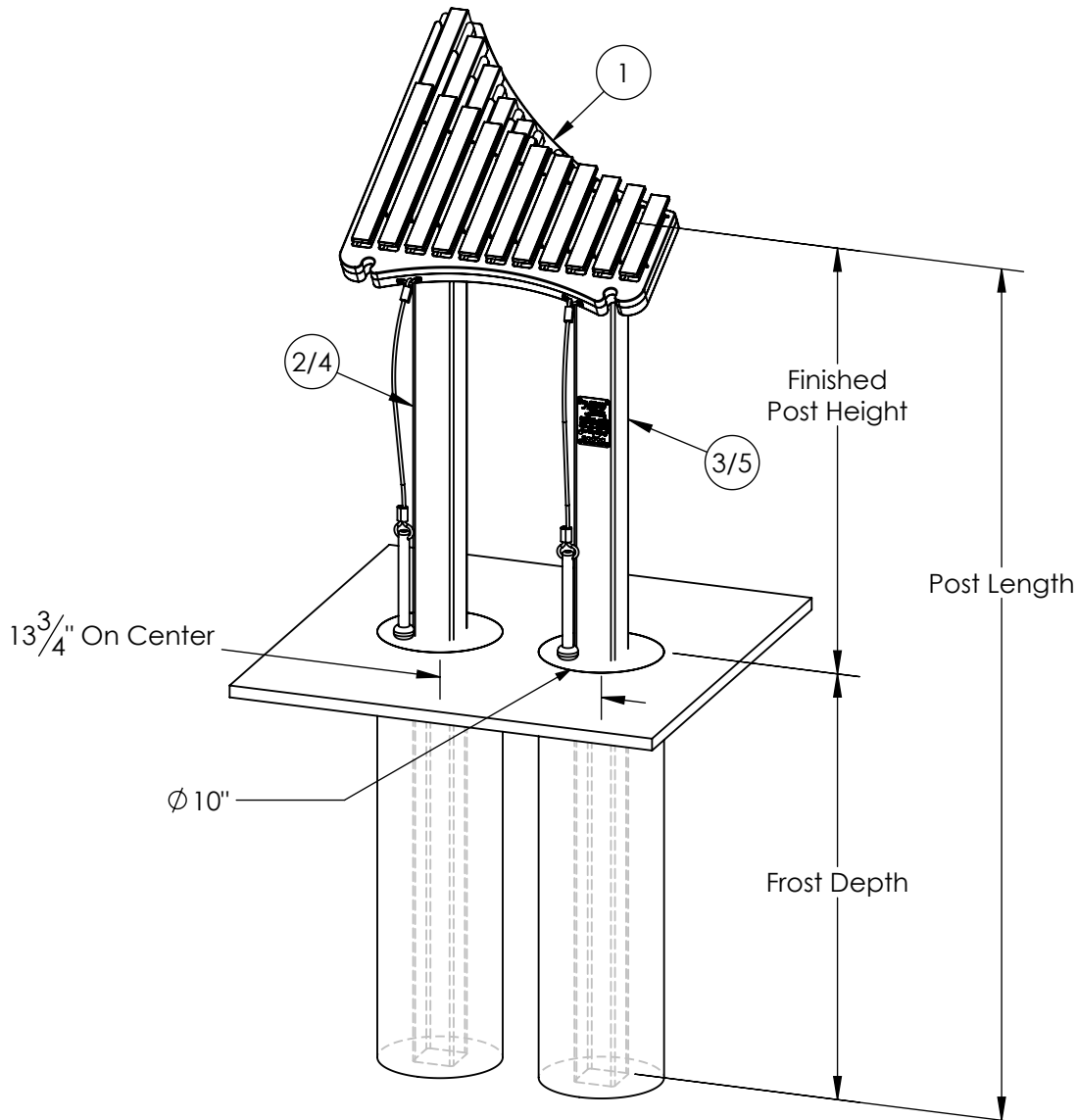
ITEM NO.	PART NUMBER	DESCRIPTION	Recycled QTY.	Steel QTY.	Portable QTY.
1	MERY-BOM	Pre-Assembly - Merry Instrument	1	1	1
2	HLSTR-SM-SS	Small SS Holdter	2	2	2
3	8N125TFTS	#8 Flat Head Screw, 1.25"lg. SS, T15 tamp	8	8	8
4	8N125BTBS	#8 Button Head Screw, 1.25"lg. SS, T15 tamp	10	-	-
5	10C100MBTS	#10-24 Button Head Machine Screw, 1"lg. SS, T25 tamp	-	10	-
6	91185A346	#10-24 Thumb Screw, .5"lg. SS	-	-	8
7	12260B	T15 x 1" Driver (Tamper Resistant)	1	1	1
8	12192	T25 x 1" Driver (Tamper Resistant)	-	1	-



Inground Installation Instructions

- Excavate two 10" diameter holes, 36" deep, and 13.75" on center at the installation location. (A deeper excavated hole or shortening the In Ground Post will be required if the desired age groups are between 2-12) Be sure to account for surfacing thickness if it is to be used.
Post Length = Frost Depth (36" Recommended) + Finished Post Height
Finished Post Height Guideline: (Ages 2-5, 28") (Ages 5-12, 32") (Ages 13+, 36")
- With two people, lower the Posts with the Instrument attached into the excavated holes. Verify the correct placement, levelness, and finished height of the Instrument. Check for sufficient clearance around the Instrument, a 36" perimeter around the Instrument is recommended for wheelchair accessibility.
- Last pour concrete around the posts. It is recommended to brace the Instrument to hold it rigid while the concrete cures. Leave to set according to the concrete manufacturers guidelines. Approximately (6) 80lb. bags will be needed.

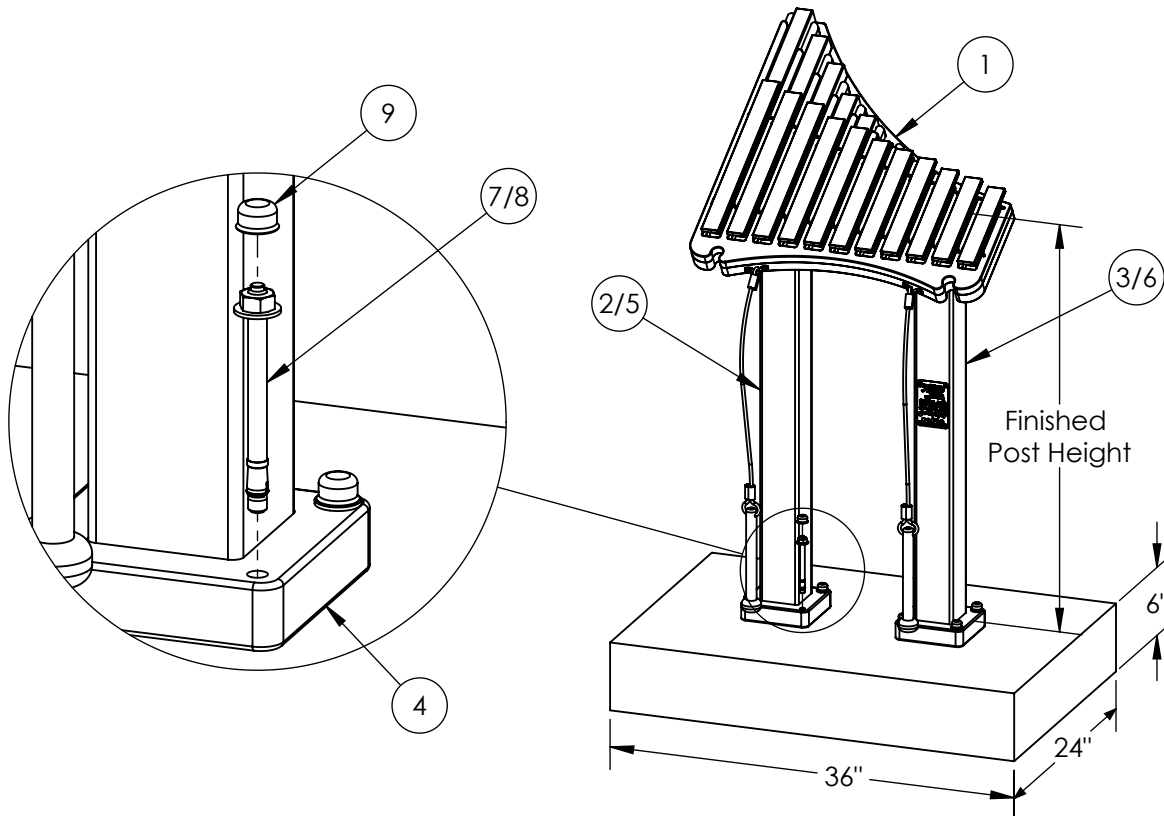
ITEM NO.	PART NUMBER	DESCRIPTION	In Ground Recycled QTY.	In Ground Steel QTY.
1	MERY-BOM	Pre-Assembly - Merry Instrument	1	1
2	POST-REC-72-DEG30	In Ground Recycled Post, 72"lg.	1	-
3	POST-REC-72-DEG30-SIGN	In Ground Recycled Post, 72"lg. w/ Name Plate	1	-
4	POST-STL-72-DEG30-FP	In Ground Steel Post, 72"lg. (Powder-coated)	-	1
5	POST-STL-72-DEG30-SIGN	In Ground Steel Post, 72"lg. w/ Name Plate (Powder-coated)	-	1



Surface Mount Installation Instructions

- Standard finished height for the Surface Mount Posts are 36". (Recessing the concrete pad below the finished surfacing or shortening the Surface Mount Recycled Post will be required if desired age groups are between 2-12. The height of the Surface Mount Steel Posts can not be adjusted) Be sure to account for surfacing thickness if it is to be used.
Finished Post Height Guideline: (Ages 2-5, 28") (Ages 5-12, 32") (Ages 13+, 36")
- Determine installation location. Verify concrete pad is a minimum of 36" long x 24" wide x 6" thick. If the concrete pad is at an angle, steel washers are required to act as shims (Shims not provided). If there is not already an existing pad, approximately (5) 80lb. bags will be needed. Allow concrete to cure per concrete manufacturers guidelines.
- With two people place the Instrument Assembly onto the concrete pad and mark the center of the holes on the surface mount bases. After you have made your marks, set aside the Instrument in order to drill for anchor holes. With a hammer or rotary drill, drill through concrete at marked locations. Drill to a minimum depth of 4". A 3/8" masonry drill bit will be needed.
- Place the Instrument back over the drilled out holes. Insert provided anchor bolts into aligned holes. Position anchor nut so that it is flush with the top of the bolt. Pound anchor bolts into the hole until the anchor washer is flush with the surface mount base. Tighten anchor bolts until they are snug. Cover remaining bolt sections with provided nut caps.
- Verify the correct placement, levelness, and finished height of the Instrument. Check for sufficient clearance around the Instrument, a 36" perimeter around the Instrument is recommended for wheelchair accessibility.
- If installing onto wet concrete, us the wet set anchor manufacturers guidelines for installation procedures.

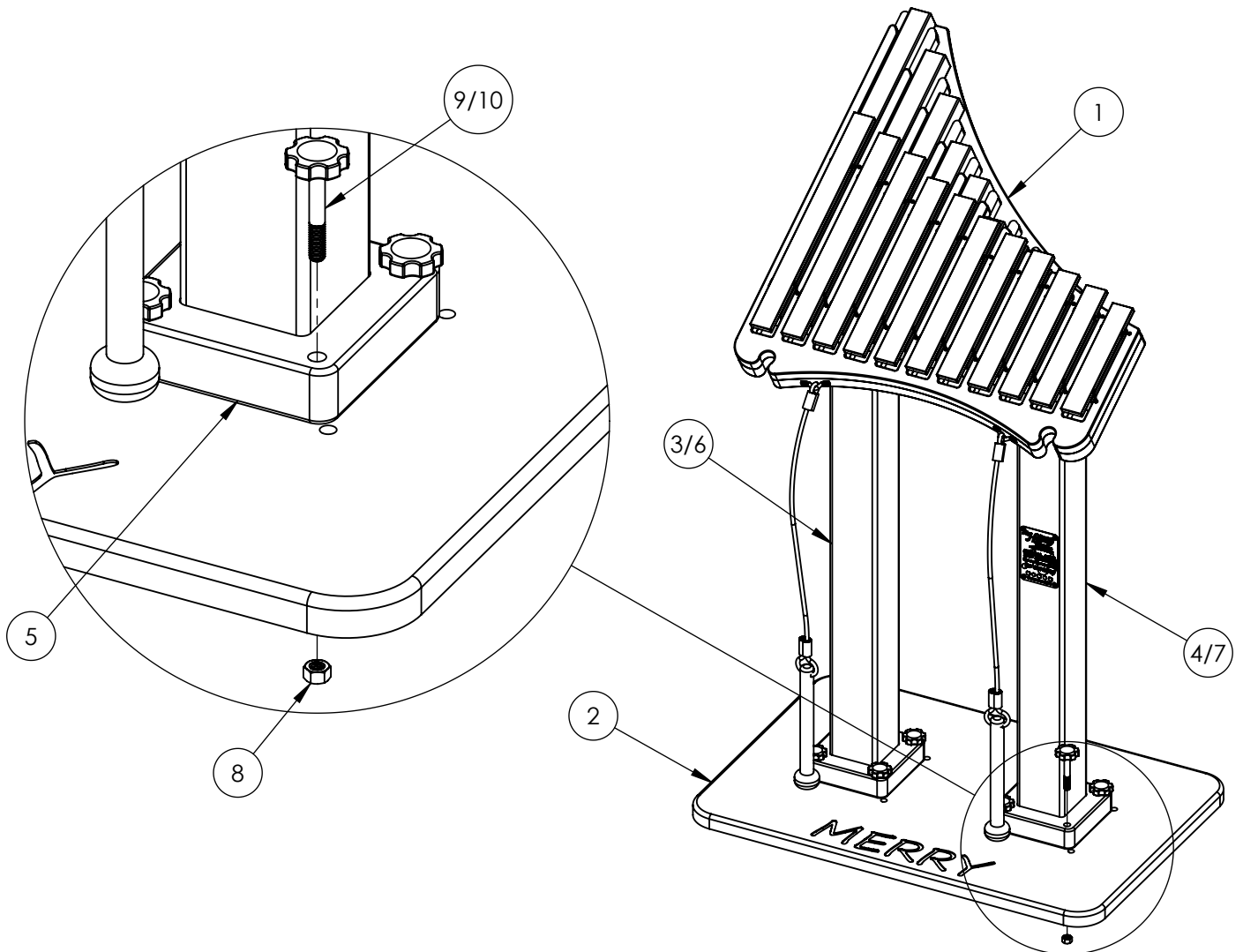
ITEM NO.	PART NUMBER	DESCRIPTION	Surface Mount Recycled QTY.	Surface Mount Steel QTY.
1	MERY-BOM	Pre-Assembly - Merry Instrument	1	1
2	POST-REC-36-DEG30	Surface Mount Recycled Post, 36"lg.	1	-
3	POST-REC-36-DEG30-SIGN	Surface Mount Recycled Post, 36"lg. w/ Name Plate	1	-
4	SM-BASE-REC	Surface Mount Base HDPE, For Recycled Post (1.5" Black)	2	-
5	POST-STL-36-DEG30-FP	Surface Mount Steel Post, 36"lg. (Powder-coated)	-	1
6	POST-STL-36-DEG30-SIGN	Surface Mount Steel Post, 36"lg. w/ Name Plate (Powder-coated)	-	1
7	POW 07316	3/8"-16 Wedge Expansion Anchor, 5"lg. SS	8	-
8	POW 07315	3/8"-16 Wedge Expansion Anchor, 3.75"lg. SS	-	8
9	9267K43	35/64" Hex Nut Cap	8	8



Portable Mount Installation Instructions

- Standard finished height for the Portable Mount Posts are 36". (Shortening the Surface Mount Recycled Post will be required if desired age groups are between 2-12. The height of the Surface Mount Steel Posts can not be adjusted)
Finished Post Height Guideline: (Ages 2-5, 28") (Ages 5-12, 32") (Ages 13+, 36")
- With two people have one situate the Instrument Assembly onto the Portable Stand and align the holes.
- Have the second person secure the Instrument to the Portable Stand with the provided 3/8"-16 Thumb Screws. Thumb Screws should be tightened snugly to prevent any raddling during play. The 3/8"-16 Hex Nuts are pre-pressed into the Portable Stand from the Factory.

ITEM NO.	PART NUMBER	DESCRIPTION	Portable Mount Recycled QTY.	Portable Mount Steel QTY.
1	MERY-BOM	Pre-Assembly - Merry Instrument	1	1
2	MERY-PM-PS	Merry - HDPE Portable Stand (1" Black)	1	1
3	POST-REC-36-DEG30	Surface Mount Recycled Post, 36"lg.	1	-
4	POST-REC-36-DEG30-SIGN	Surface Mount Recycled Post, 36"lg. w/ Name Plate	1	-
5	SM-BASE-REC	Surface Mount Base HDPE, For Recycled Post (1.5" Black)	2	-
6	POST-STL-36-DEG30-FP	Surface Mount Steel Post, 36"lg. (Powder-coated)	-	1
7	POST-STL-36-DEG30-SIGN	Surface Mount Steel Post, 36"lg. w/ Name Plate (Powder-coated)	-	1
8	91845A031	3/8"-16 Hex Nut, SS	16	16
9	91185A867	3/8"-16 Thumb Screw, 1"lg. SS	-	8
10	92198A634	3/8"-16 Hex Head Screw, 2.5"lg. SS	8	-
11	94052A046	3/8" Socket Head Knob	8	-



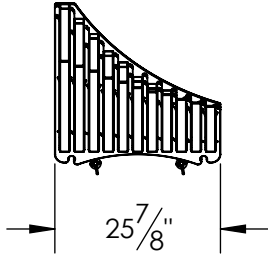
PIPR-INSTALL

- C Major Pentatonic
- Recycled HDPE Frame
- Coated Fiberglass Bars
- Anodized Aluminum Resonators
- Stainless Steel Hardware

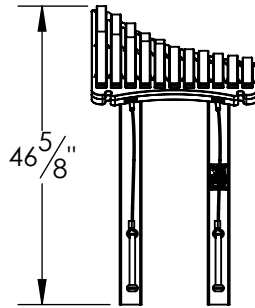
PIPER

INSTALLATION GUIDE

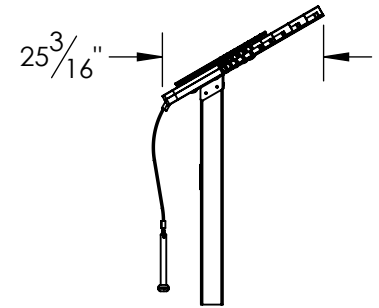
Top View



Front View



Side View



PIPR-IG-REC



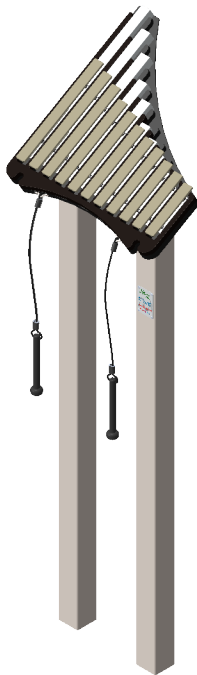
PIPR-SM-REC



PIPR-PM-REC



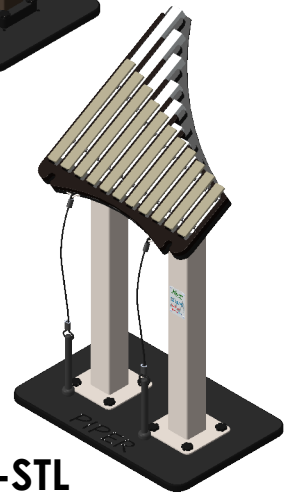
PIPR-IG-STL



PIPR-SM-STL



PIPR-PM-STL



Inground, Sheet 2 and 3
 Assembled Weight: ?
 Combined Packaged Weight: ?

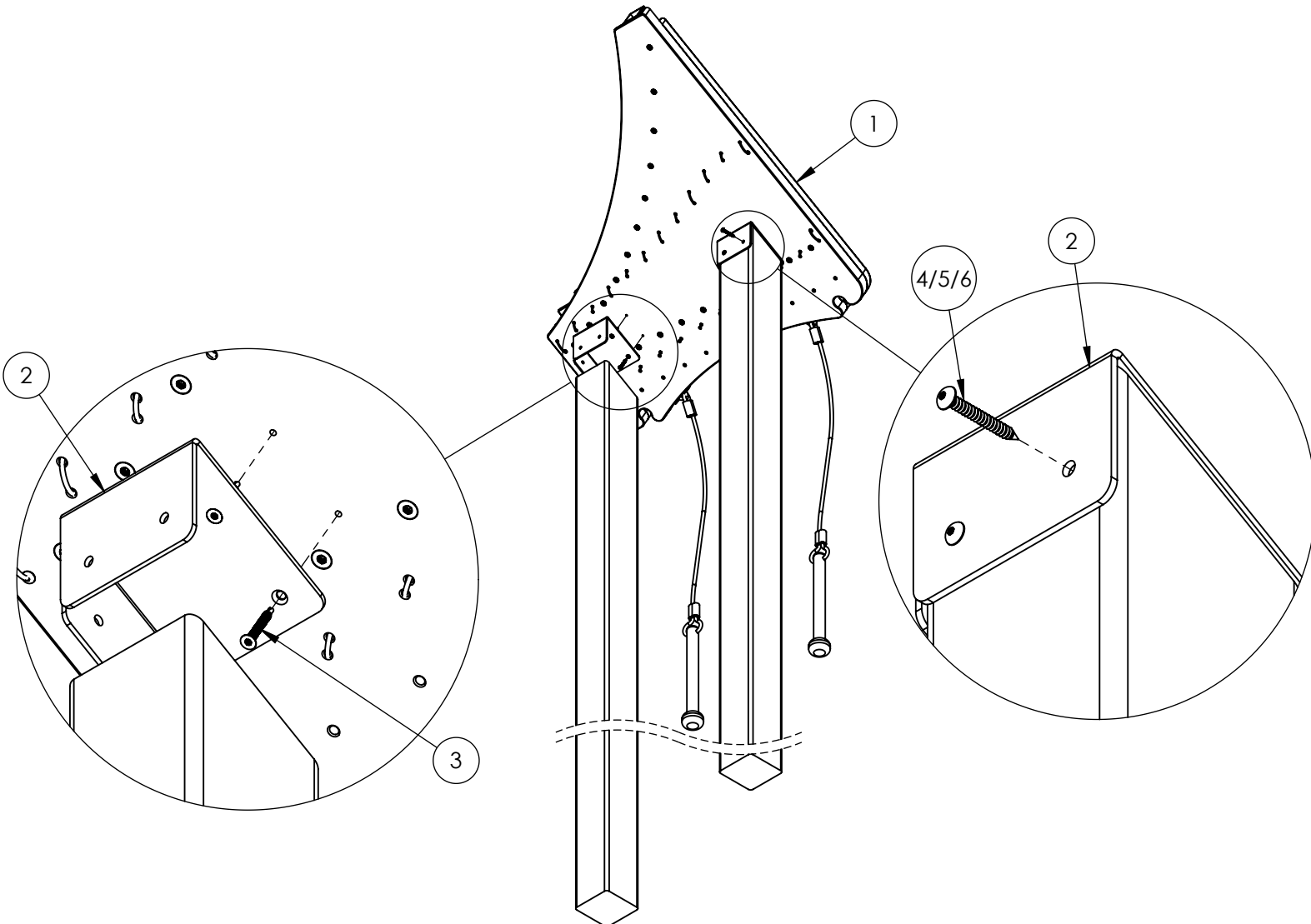
Surface Mount, Sheet 2 and 4
 Assembled Weight: ?
 Combined Packaged Weight: ?

Portable Mount, Sheet 2 and 5
 Assembled Weight: ?
 Combined Packaged Weight: ?

Assembly Instructions

1. Begin by mounting the Holsters to the back of the Instrument with the provided #8 Flat Head Screws and T15 Driver. The back is predrilled for the screws. Screw heads should be flush with the face of the Holster when properly installed and the Holster should also be flush along the back. Drive screws slowly to prevent stripping. Make sure that the Holsters are orientated as shown below so that when installed the Instrument will sit at a 30° angle.
2. With two people, situate the Instrument with Holsters attached onto the Posts. Posts come predrilled and/or tapped. Fasten the Instrument to the Posts with the provided #8 Button Head Screw for Recycled Posts or #10-24 Button Head Machine Screw for Steel Posts. Drivers are provided. Portable Options come with #10-24 Thumb Screws for ease of assembly and disassembly.

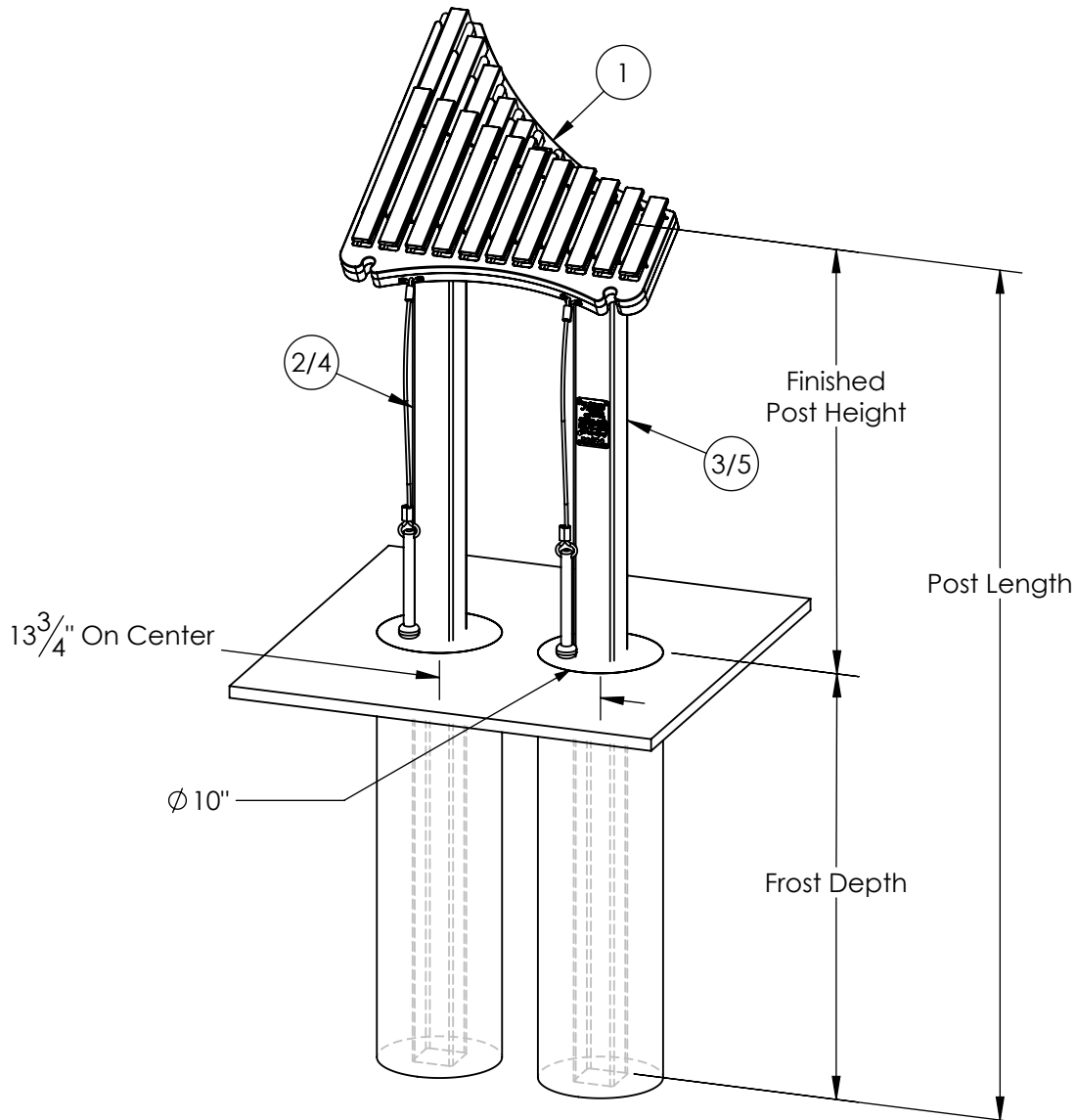
ITEM NO.	PART NUMBER	DESCRIPTION	Recycled QTY.	Steel QTY.	Portable QTY.
1	PIPR-BOM	Pre-Assembly - Piper Instrument	1	1	1
2	HLSTR-SM-SS	Small SS Holdter	2	2	2
3	8N125TFTS	#8 Flat Head Screw, 1.25"lg. SS, T15 tamp	8	8	8
4	8N125TBTS	#8 Button Head Screw, 1.25"lg. SS, T15 tamp	10	-	-
5	10C100MBTS	#10-24 Button Head Machine Screw, 1"lg. SS, T25 tamp	-	10	-
6	91185A346	#10-24 Thumb Screw, .5"lg. SS	-	-	8
7	12260B	T15 x 1" Driver (Tamper Resistant)	1	1	1
8	12192	T25 x 1" Driver (Tamper Resistant)	-	1	-



Inground Installation Instructions

- Excavate two 10" diameter holes, 36" deep, and 13.75" on center at the installation location. (A deeper excavated hole or shortening the In Ground Post will be required if the desired age groups are between 2-12) Be sure to account for surfacing thickness if it is to be used.
Post Length = Frost Depth (36" Recommended) + Finished Post Height
Finished Post Height Guideline: (Ages 2-5, 28") (Ages 5-12, 32") (Ages 13+, 36")
- With two people, lower the Posts with the Instrument attached into the excavated holes. Verify the correct placement, levelness, and finished height of the Instrument. Check for sufficient clearance around the Instrument, a 36" perimeter around the Instrument is recommended for wheelchair accessibility.
- Last pour concrete around the posts. It is recommended to brace the Instrument to hold it rigid while the concrete cures. Leave to set according to the concrete manufacturers guidelines. Approximately (6) 80lb. bags will be needed.

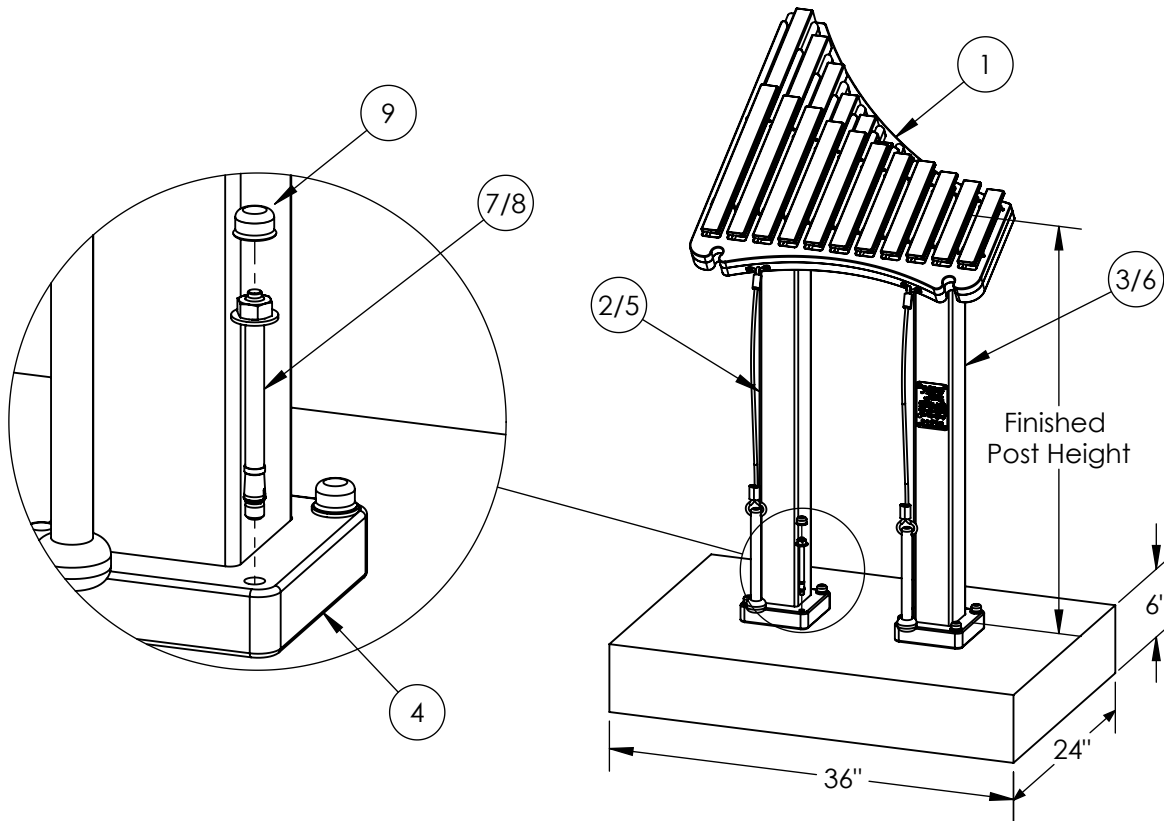
ITEM NO.	PART NUMBER	DESCRIPTION	In Ground Recycled QTY.	In Ground Steel QTY.
1	PIPR-BOM	Pre-Assembly - Piper Instrument	1	1
2	POST-REC-72-DEG30	In Ground Recycled Post, 72"lg.	1	-
3	POST-REC-72-DEG30-SIGN	In Ground Recycled Post, 72"lg. w/ Name Plate	1	-
4	POST-STL-72-DEG30-FP	In Ground Steel Post, 72"lg. (Powder-coated)	-	1
5	POST-STL-72-DEG30-SIGN	In Ground Steel Post, 72"lg. w/ Name Plate (Powder-coated)	-	1



Surface Mount Installation Instructions

- Standard finished height for the Surface Mount Posts are 36". (Recessing the concrete pad below the finished surfacing or shortening the Surface Mount Recycled Post will be required if desired age groups are between 2-12. The height of the Surface Mount Steel Posts can not be adjusted) Be sure to account for surfacing thickness if it is to be used.
Finished Post Height Guideline: (Ages 2-5, 28") (Ages 5-12, 32") (Ages 13+, 36")
- Determine installation location. Verify concrete pad is a minimum of 36" long x 24" wide x 6" thick. If the concrete pad is at an angle, steel washers are required to act as shims (Shims not provided). If there is not already an existing pad, approximately (5) 80lb. bags will be needed. Allow concrete to cure per concrete manufacturers guidelines.
- With two people place the Instrument Assembly onto the concrete pad and mark the center of the holes on the surface mount bases. After you have made your marks, set aside the Instrument in order to drill for anchor holes. With a hammer or rotary drill, drill through concrete at marked locations. Drill to a minimum depth of 4". A 3/8" masonry drill bit will be needed.
- Place the Instrument back over the drilled out holes. Insert provided anchor bolts into aligned holes. Position anchor nut so that it is flush with the top of the bolt. Pound anchor bolts into the hole until the anchor washer is flush with the surface mount base. Tighten anchor bolts until they are snug. Cover remaining bolt sections with provided nut caps.
- Verify the correct placement, levelness, and finished height of the Instrument. Check for sufficient clearance around the Instrument, a 36" perimeter around the Instrument is recommended for wheelchair accessibility.
- If installing onto wet concrete, us the wet set anchor manufacturers guidelines for installation procedures.

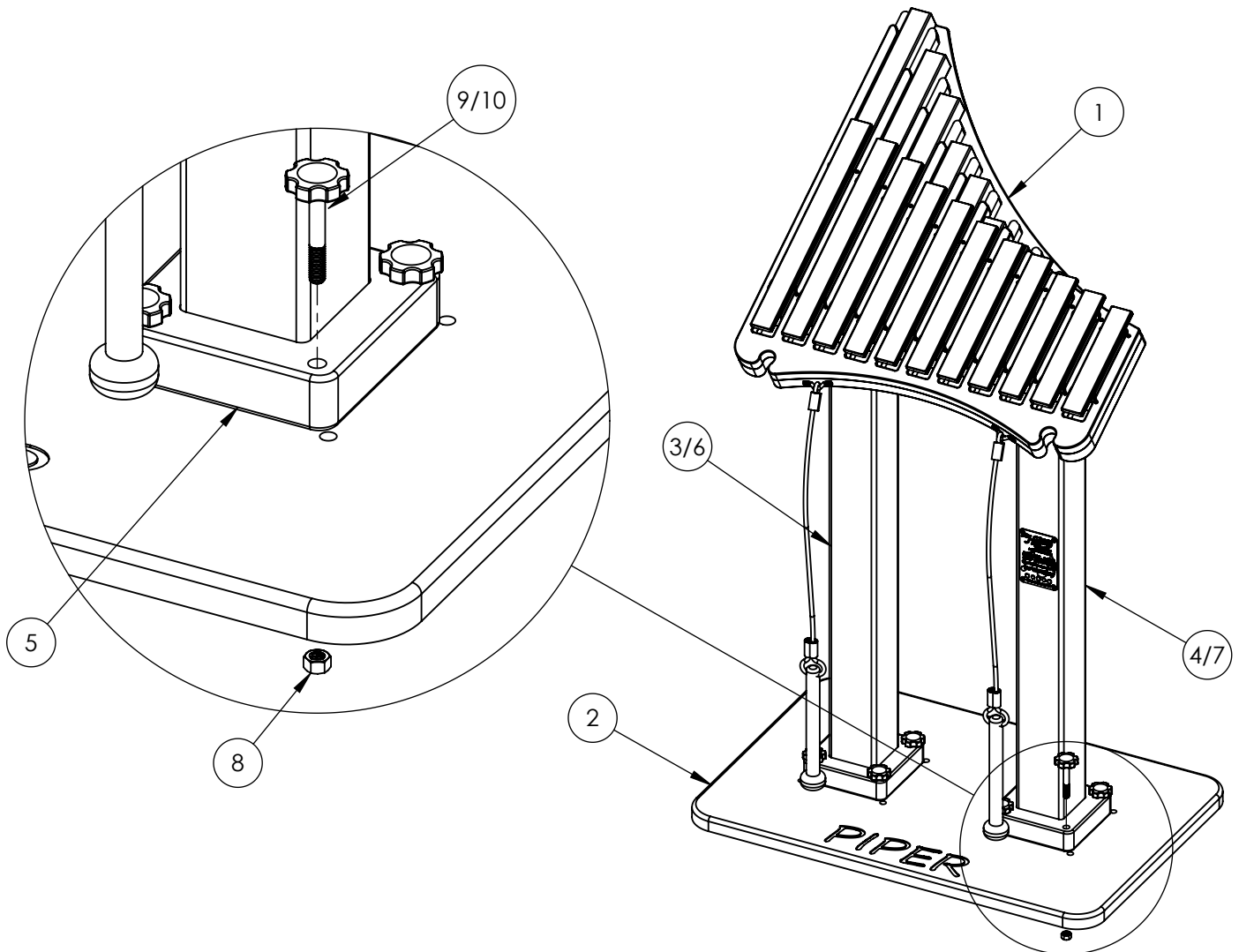
ITEM NO.	PART NUMBER	DESCRIPTION	Surface Mount Recycled QTY.	Surface Mount Steel QTY.
1	PIPR-BOM	Pre-Assembly - Piper Instrument	1	1
2	POST-REC-36-DEG30	Surface Mount Recycled Post, 36"lg.	1	-
3	POST-REC-36-DEG30-SIGN	Surface Mount Recycled Post, 36"lg. w/ Name Plate	1	-
4	SM-BASE-REC	Surface Mount Base HDPE, For Recycled Post (1.5" Black)	2	-
5	POST-STL-36-DEG30-FP	Surface Mount Steel Post, 36"lg. (Powder-coated)	-	1
6	POST-STL-36-DEG30-SIGN	Surface Mount Steel Post, 36"lg. w/ Name Plate (Powder-coated)	-	1
7	POW 07316	3/8"-16 Wedge Expansion Anchor, 5"lg. SS	8	-
8	POW 07315	3/8"-16 Wedge Expansion Anchor, 3.75"lg. SS	-	8
9	9267K43	35/64" Hex Nut Cap	8	8



Portable Mount Installation Instructions

- Standard finished height for the Portable Mount Posts are 36". (Shortening the Surface Mount Recycled Post will be required if desired age groups are between 2-12. The height of the Surface Mount Steel Posts can not be adjusted)
Finished Post Height Guideline: (Ages 2-5, 28") (Ages 5-12, 32") (Ages 13+, 36")
- With two people have one situate the Instrument Assembly onto the Portable Stand and align the holes.
- Have the second person secure the Instrument to the Portable Stand with the provided 3/8"-16 Thumb Screws. Thumb Screws should be tightened snugly to prevent any raddling during play. The 3/8"-16 Hex Nuts are pre-pressed into the Portable Stand from the Factory.

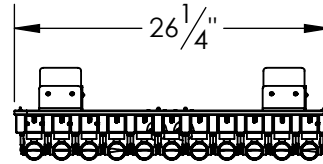
ITEM NO.	PART NUMBER	DESCRIPTION	Portable Mount Recycled QTY.	Portable Mount Steel QTY.
1	PIPR-BOM	Pre-Assembly - Piper Instrument	1	1
2	PIPR-PM-PS	Piper - HDPE Portable Stand (1" Black)	1	1
3	POST-REC-36-DEG30	Surface Mount Recycled Post, 36"lg.	1	-
4	POST-REC-36-DEG30-SIGN	Surface Mount Recycled Post, 36"lg. w/ Name Plate	1	-
5	SM-BASE-REC	Surface Mount Base HDPE, For Recycled Post (1.5" Black)	2	-
6	POST-STL-36-DEG30-FP	Surface Mount Steel Post, 36"lg. (Powder-coated)	-	1
7	POST-STL-36-DEG30-SIGN	Surface Mount Steel Post, 36"lg. w/ Name Plate (Powder-coated)	-	1
8	91845A031	3/8"-16 Hex Nut, SS	16	16
9	91185A867	3/8"-16 Thumb Screw, 1"lg. SS	-	8
10	92198A634	3/8"-16 Hex Head Screw, 2.5"lg. SS	8	-
11	94052A046	3/8" Socket Head Knob	8	-



GRIFFIN *INSTALLATION GUIDE*

Main Features:

- C Major Pentatonic
- Recycled HDPE Frame
- Anodized Aluminum Chimes & Resonators
- Stainless Steel Hardware

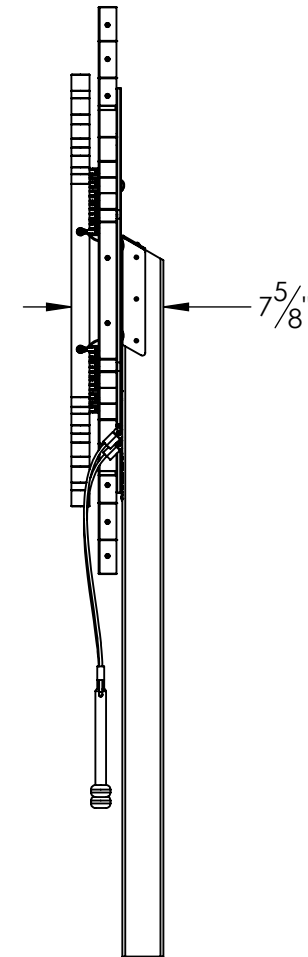
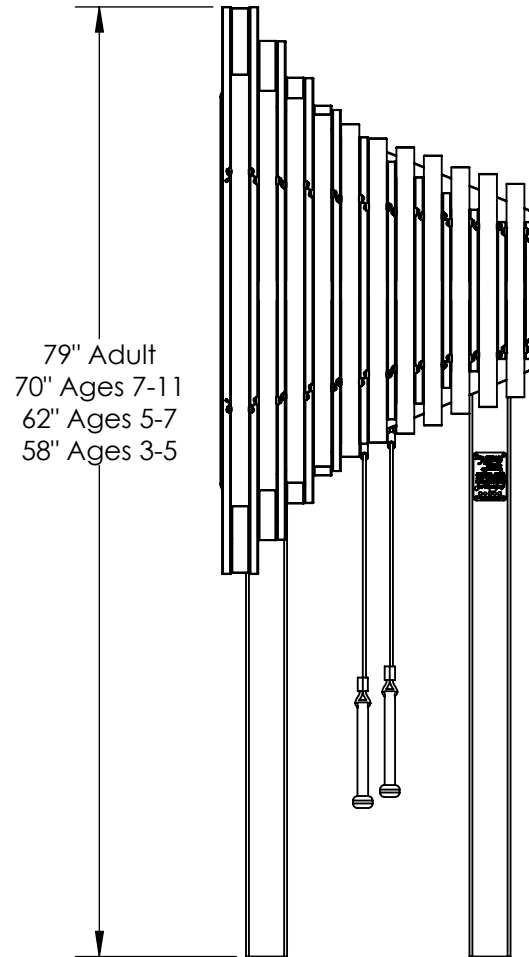


Contents:

- SHEET 2 - Parts List and Instrument to Post Installation
- SHEET 3 - In Ground Installation
- SHEET 4 - Surface Mount Installation

Weights:

- Instrument Weight, 49lbs.
- Boxed Instrument Weight, 60lbs.
- Boxed Posts Weight, 62-87lbs.



TITLE:

Griffin - Installation Guide

DWG. NO. GRIF-INSTALL

REVISION: B

SCALE: 1:16

DATE: 11/20/2023

SHEET 1 OF 6

TITLE:
BILL OF MATERIALS

DWG. NO. GRIF-INSTALL

REVISION: B

SCALE: 1:16

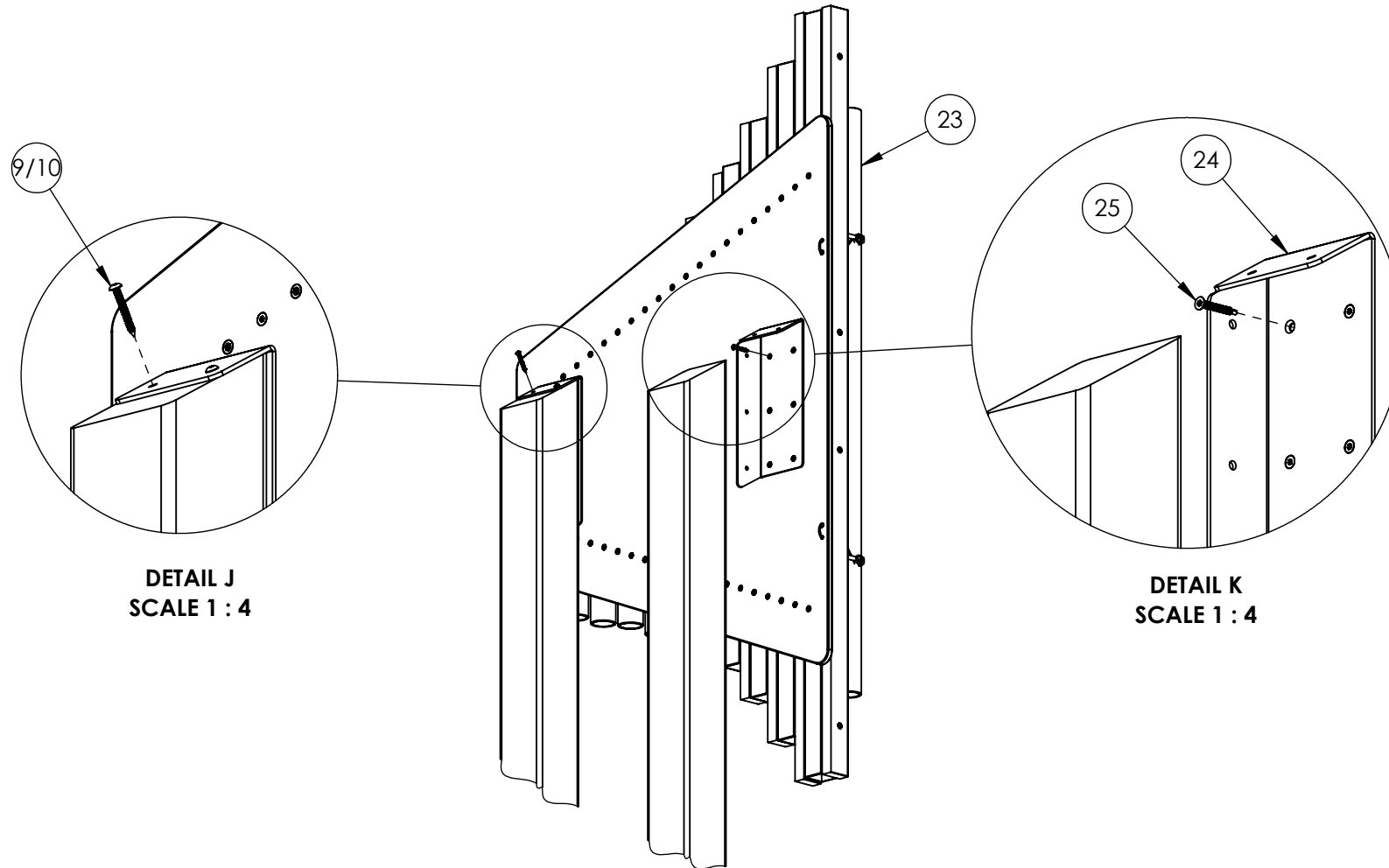
DATE: 11/20/2023

SHEET 2 OF 6

ITEM NO.	PART NUMBER	DESCRIPTION	GRIF-IG-REC	GRIF-IG-STL	GRIF-SM-REC	GRIF-SM-STL	GRIF-PM-REC	GRIF-PM-STL
1	POST-REC-96-DEG30-SIGN	IN GROUND RECYCLED POST, 96"LG. W/ NAME PLATE	1	-	-	-	-	-
2	POST-REC-96-DEG30	IN GROUND RECYCLED POST, 96"LG.	1	-	-	-	-	-
3	POST-STL-96-DEG30-FP	IN GROUND STEEL POST, 96"LG. (POWDER-COATED)	-	1	-	-	-	-
4	POST-STL-96-DEG30-SIGN	IN GROUND STEEL POST, 96"LG. W/ NAME PLATE (POWDER-COATED)	-	1	-	-	-	-
5	POST-REC-60-DEG30	SURFACE MOUNT RECYCLED POST, 60"LG.	-	-	1	-	1	-
6	POST-REC-60-DEG30-SIGN	SURFACE MOUNT RECYCLED POST, 60"LG. W/ NAME PLATE	-	-	1	-	1	-
7	POST-STL-60-DEG30-FP	SURFACE MOUNT STEEL POST, 60"LG. (POWDER-COATED)	-	-	-	1	-	1
8	POST-STL-60-DEG30-SIGN	SURFACE MOUNT STEEL POST, 60"LG. W/ NAME PLATE (POWDER-COATED)	-	-	-	1	-	1
9	8N125TBTS	#8 BUTTON HEAD SCREW, 1.25"LG. SS, T15 TAMP	10	-	10	-	-	-
10	10C100MBTS	#10-24 BUTTON HEAD MACHINE SCREW, 1"LG. SS, T25 TAMP	-	10	-	10	-	-
11	31N500BHLS	5/16" HEX HEAD LAG BOLT, 5"LG. SS	-	-	4	-	4	-
12	POW 07316	3/8"-16 WEDGE EXPANSION ANCHOR, 5"LG. SS	-	-	8	-	-	-
13	SM-BASE-REC	SURFACE MOUNT BASE HDPE, FOR RECYCLED POST (1.5" BLACK)	-	-	2	-	2	-
14	9267K43	35/64" HEX NUT CAP	-	-	8	8	-	-
15	POW 07315	3/8"-16 WEDGE EXPANSION ANCHOR, 3.75"LG. SS	-	-	-	8	-	-
16	GRIF-PM-PS	GRIFFIN - HDPE PORTABLE STAND (1" BLACK)	-	-	-	-	1	1
17	91845A031	3/8"-16 HEX NUT, SS	-	-	-	-	16	16
18	92198A634	3/8"-16 HEX HEAD SCREW, 2.5"LG. SS	-	-	-	-	8	-
19	94052A046	3/8" SOCKET HEAD KNOB	-	-	-	-	8	-
20	91185A346	#10-24 THUMB SCREW, .5"LG. SS	-	-	-	-	10	10
21	91185A867	3/8"-16 THUMB SCREW, 1"LG. SS	-	-	-	-	-	8
22	SECURITY DRIVER	SECURITY DRIVER	1	2	1	2	1	2
23	GRIF-BOM	GRIFFIN INSTRUMENT PRE-ASSEMBLY	1	1	1	1	1	1
24	HLSTR-LG-SS	LARGE SS HOLSTER	2	2	2	2	2	2
25	8N125TFTS	#8 FLAT HEAD SCREW, 1.25"LG. SS, T15 TAMP	12	12	12	12	12	12

Step 1: Start by mounting the Holsters to the Instrument Back with the provided #8 Flat Head Screws and Driver. The Back comes predrilled. Screw heads should be flush with the Holster surface when properly installed. Holster should also be flush along the back. Drive Screws slowly to prevent stripping.

Step 2: With two people, situate the Instrument with Holsters installed onto the Posts. Posts come predrilled and/or tapped. Fasten the Instrument to the Posts with the provided #8 Button Head Screw for Recycled Posts or #10-24 Button Head Machine Screw for Steel Posts. Drivers are provided.



TITLE:
Instrument to Post Installation
DWG. NO. **GRIF-INSTALL**

REVISION: B

SCALE: 1:10

DATE: 11/20/2023

SHEET 3 OF 6

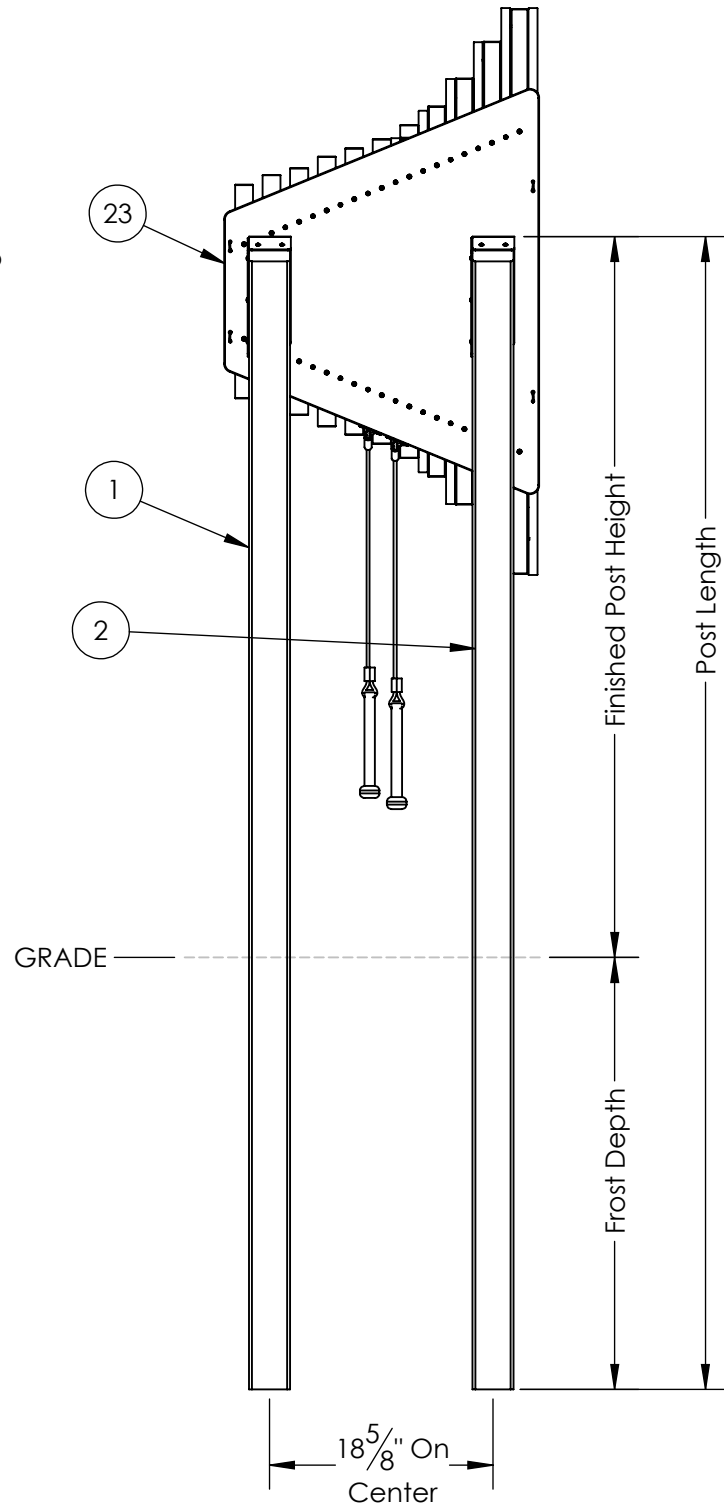
Step 1: Excavate two 10" diameter holes, 36" deep, and 18.625" on center at the installation location. Contractor can modify Post to desired height. **Post Length = Frost Depth (36" Recommended) + Finished Post Height**

Finished Post Height Guideline: (Ages 3-5, 39") (Ages 5-7, 43") (Ages 7-11, 51") (Adult, 60")

Step 2: With two people, lower the Posts with the Instrument attached into the excavated holes.

Step 3: Verify the correct placement, levelness, and finished height of the Instrument. Check for sufficient clearance around the Instrument, a 36" perimeter around the Instrument is recommended for wheelchair accessibility.

Step 4: Last pour concrete around the posts. It is recommended to brace the Instrument to hold it rigid while the concrete cures. Leave to set according to the concrete manufacturers guidelines. Approximately (6) 80lb. bags will be needed.



TITLE:
In Ground Installation

DWG. NO. GRIF-INSTALL

REVISION: B

SCALE: 1:16

DATE: 11/20/2023

SHEET 4 OF 6

Step 1: Standard height for Surface Mount Posts are 60". The Recycled Posts may be modified in the field to the following heights: (Ages 3-5, 39") (Ages 5-7, 43") (Ages 7-11, 51") (Adult, 60") The height of Surface Mount Steel Posts can not be adjusted.

Step 2: Determine installation location. Verify concrete footing is a minimum of 36" long x 24" wide x 6" thick. If the concrete pad is at an angle, steel washers are required to act as shims (Shims not provided). If there is not already an existing pad, approximately (5) 80lb. bags will be needed. Allow concrete to cure per concrete manufacturers guidelines.

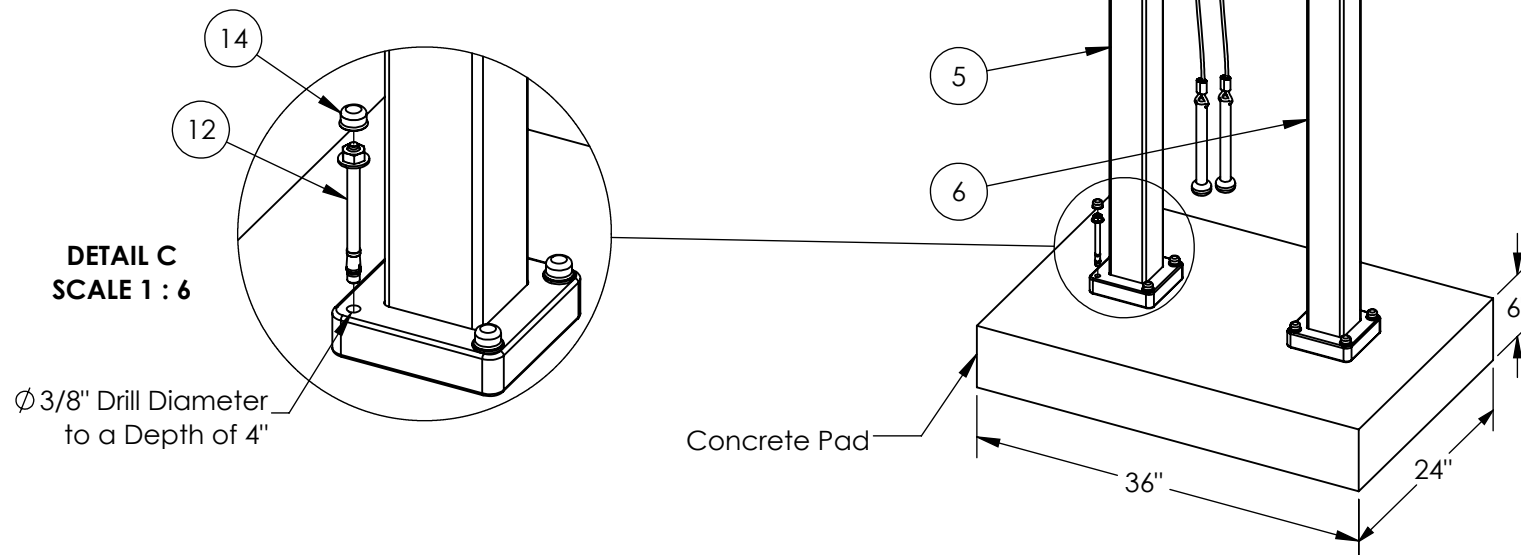
Step 3 (Recycled Post Only): Install the Surface Mount Bases to the bottom of the Posts. Align the holes on the Bases with the holes on the Posts. The Bases should fit snugly around the Posts. Fasten them together with the provided 5/16" Hex Head Lag Bolts.

Step 4: With two people place the Instrument Assembly with Posts attached onto the concrete pad and mark the center of the holes on the surface mount bases. After you have made your marks, set aside the Instrument in order to drill for anchor holes. With a hammer or rotary drill, drill through concrete at marked locations. Drill to a minimum depth of 4". A 3/8" masonry drill bit will be needed.

Step 5: Place the Instrument back over the drilled out holes. Insert provided anchor bolts into aligned holes. Position anchor nut so that it is flush with the top of the bolt. Pound anchor bolts into the hole until the anchor washer is flush with the surface mount bases. Tighten anchor bolts until they are snug. Cover remaining bolt sections with provided nut caps.

Step 6: Verify the correct placement, levelness, and finished height of the Instrument. Check for sufficient clearance around the Instrument, a 36" perimeter around the Instrument is recommended for wheelchair accessibility.

Step 7: If installing onto wet concrete, us the wet set anchor manufacturers guidelines for installation procedures.

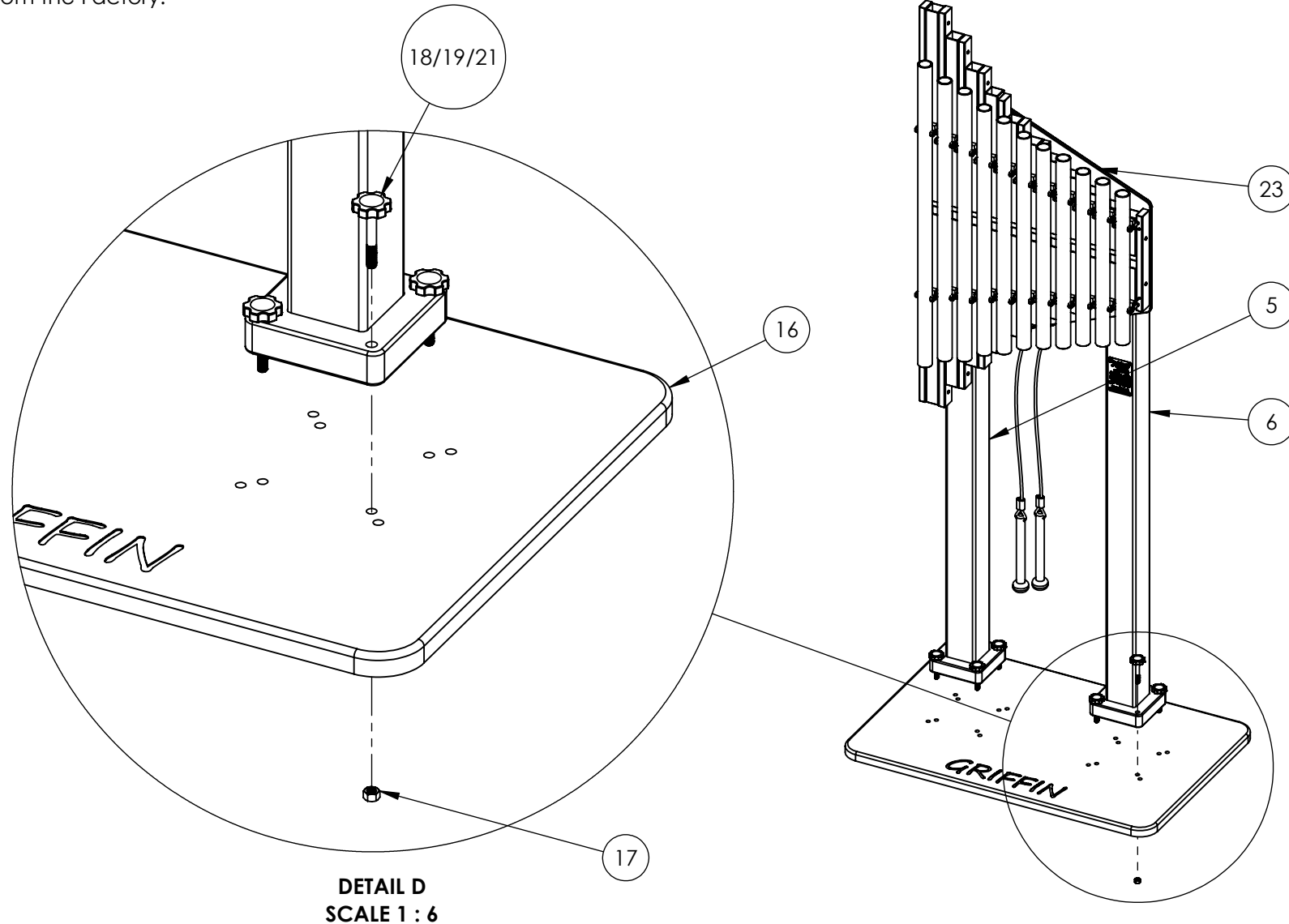


Step 1: Surface mount posts are used for the portable mount configuration. Standard height for Surface Mount Posts are 60". The Recycled Posts may be modified in the field to the following heights: (Ages 3-5, 39") (Ages 5-7, 43") (Ages 7-11, 51") (Adult, 60") The height of Surface Mount Steel Posts can not be adjusted.

Step 2: (Recycled Post Only): Install the Surface Mount Bases to the bottom of the Posts. Align the holes on the Bases with the holes on the Posts. The Bases should fit snugly around the Posts. Fasten them together with the provided 5/16" Hex Head Lag Bolts.

Step 3: With two people have one situate the Instrument Assembly onto the Portable Stand and align the holes.

Step 4: Have the second person secure the Instrument to the Portable Stand with the provided 3/8"-16 Thumb Screws. Thumb Screws should be tightened snugly to prevent any raddling during play. The 3/8"-16 Hex Nuts are prepressed into the Portable Stand from the Factory.



TITLE:
Surface Mount Installation

DWG. NO. GRIF-INSTALL

REVISION: A

SCALE: 1:16

DATE: 11/20/2023

SHEET 6 OF 6