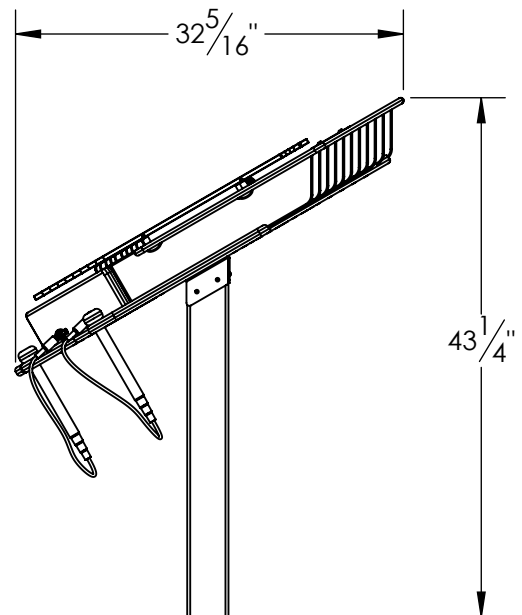
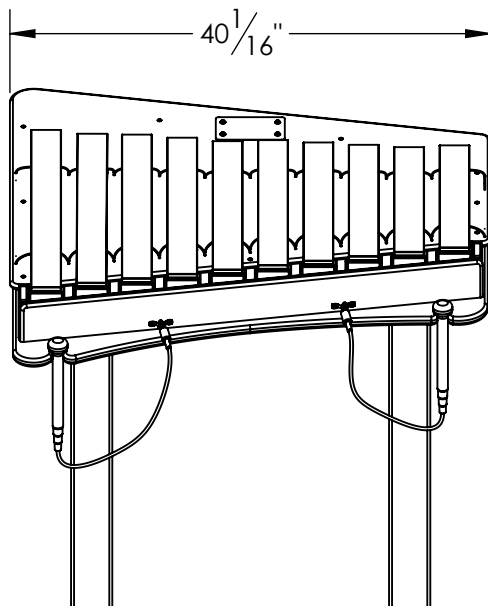


CONTENTS

- Sheet 1:** Basic Information
- Sheet 2:** Bill of Materials
- Sheet 3:** Attachment to Posts
- Sheet 4:** In Ground Mount
- Sheet 5:** Surface Mount
- Sheet 6:** Portable Mount

INSTRUMENT INFO

- Scale:** A Minor Diatonic
- Notes:** (Low to High) A, B, C, D, E, F, G, A, B, C
- Bars and Resonators:** Anodized Aluminum
- Frame:** HDPE
- Posts:** Powder Coated Steel or Recycled HDPE
- Mallets:** (2) Standard 70 Durometer w/ 21" Cable



The Yantzee is offered in two post types: Powder Coated Steel and Recycled HDPE. Installation is similar for both post types varies only slightly in hardware used.

In Ground Mount:

PART NUMBER	DESCRIPTION	YANZ-IG-STL	YANZ-IG-REC
YANZ-BOM	Pre-Assembly - Yantzee Instrument	1	1
POST-STL-66-DEG30-FP	In Ground Steel Post, 66"lg. (Powder Coated)	2	-
92970A211	#10 x 3/4" Self Drilling Button Head Screw	8	-
POST-REC-66-DEG30	In Ground Recycled Post, 66"lg.	-	2
8N125TBTS	#8 x 1-1/4" Button Head Screw	-	8

Surface Mount:

PART NUMBER	DESCRIPTION	YANZ-SM-STL	YANZ-SM-REC
YANZ-BOM	Pre-Assembly - Yantzee Instrument	1	1
POST-STL-30-DEG30	Surface Mount Steel Post, 30"lg.	2	-
92970A211	#10 x 3/4" Self Drilling Button Head Screw	8	-
POW 07315	3/8"-16 Wedge Expansion Anchor, 3.75"lg. SS	8	-
POST-REC-30-DEG30	Surface Mount Recycled Post, 30"lg.	-	2
8N125TBTS	#8 x 1-1/4" Button Head Screw	-	8
SM-BASE-REC	Surface Mount Base HDPE, For Recycled Post	-	2
31N500BHLS	5/16" Hex Head Lag Bolt, 5"lg. SS	-	4
POW 07316	3/8"-16 Wedge Expansion Anchor, 5"lg. SS	-	8
9267K43	35/64" Hex Nut Cap	8	8

Portable Mount:

PART NUMBER	DESCRIPTION	YANZ-PM-STL	YANZ-PM-REC
YANZ-BOM-DEV	Pre-Assembly - Yantzee Instrument	1	1
YANZ-PM-PS	Yantzee - HDPE Portable Stand (1" Black)	1	1
91185A346	#10-24 Thumb Screw, .5"lg. SS	8	8
92105A420	3/8"-16 x 33/64" Threaded Insert	16	16
POST-STL-30-DEG30	Surface Mount Steel Post, 30"lg.	2	-
91185A867	3/8"-16 Thumb Screw, 1"lg. SS	8	-
POST-REC-30-DEG30	Surface Mount Recycled Post, 30"lg.	-	2
SM-BASE-REC	Surface Mount Base HDPE, For Recycled Post	-	2
31N500BHLS	5/16" Hex Head Lag Bolt, 5"lg. SS	-	4
92185A634	3/8"-16 Socket Head Screw, 2.5"lg. SS	-	8
94052A046	3/8" Socket Head Knob	-	8

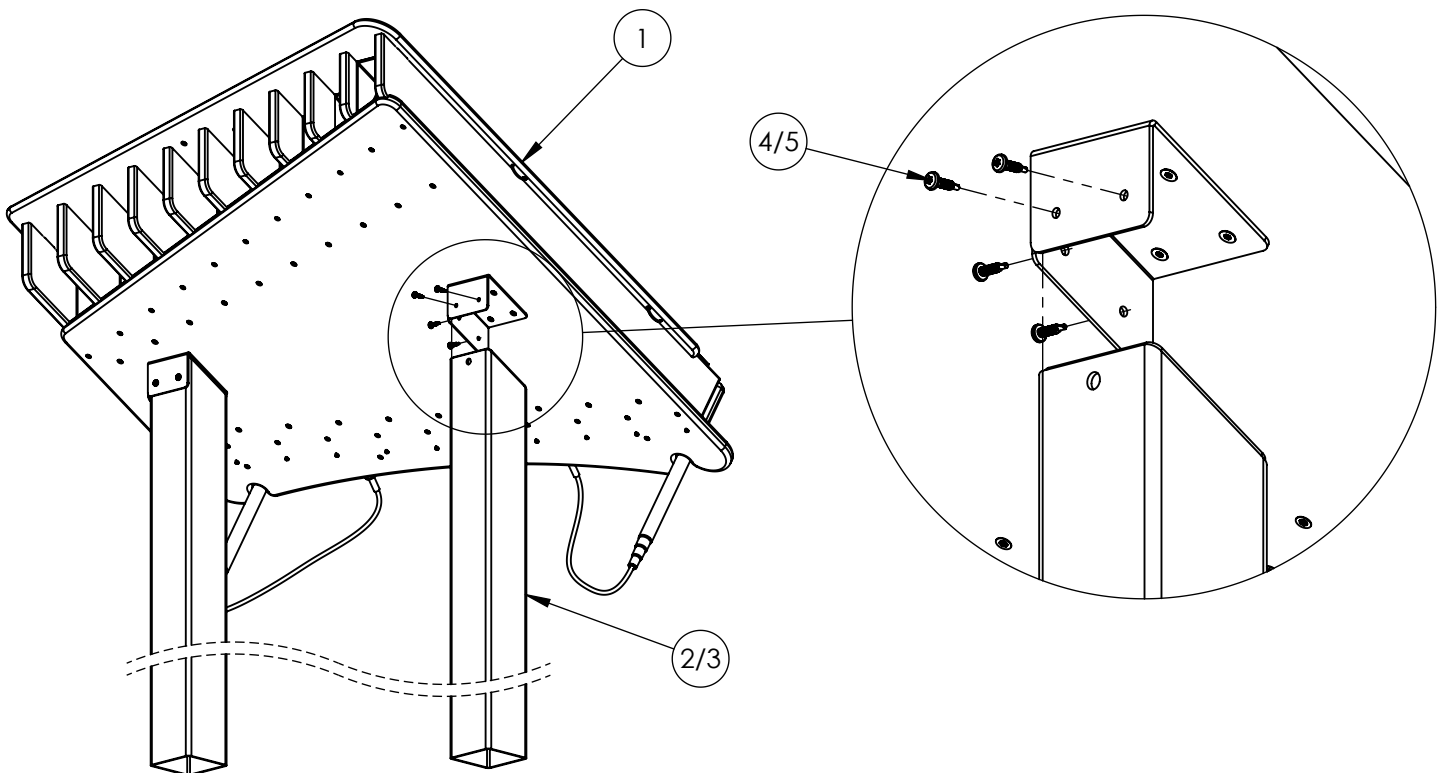
Before attaching the instrument to the posts, determine the desired finished height above ground. Note that the playable surface will be roughly 5" above the top of the post. Be sure to account for any additional surfacing that may be used.

Surface mount posts come standard at 30"; a lower finished height can be achieved by mounting to a recessed concrete pad. Posts for in ground mounted variants can be buried deeper or cut shorter to achieve the desired height. **NOTE: An embedded depth of at least 36" is recommended for in ground installations.**

For installations targeting compliance with ASTM F1487: Finished mallet attachment height must not exceed 27" above the underlying surface. This is achieved at a maximum above ground post height of 30".

Step 1: With two people, situate the holsters installed on the instrument onto the angled end of the posts. Align the holes in each holster with the pre-drilled holes in the posts.

Step 2: Using the provided driver bit, fasten the instrument to the posts with either the (8) #10 x 3/4" Self Drilling Button Head Screws if mounting to steel posts, or (8) #8 x 1-1/4" Button Head Screws if mounting to recycled posts.



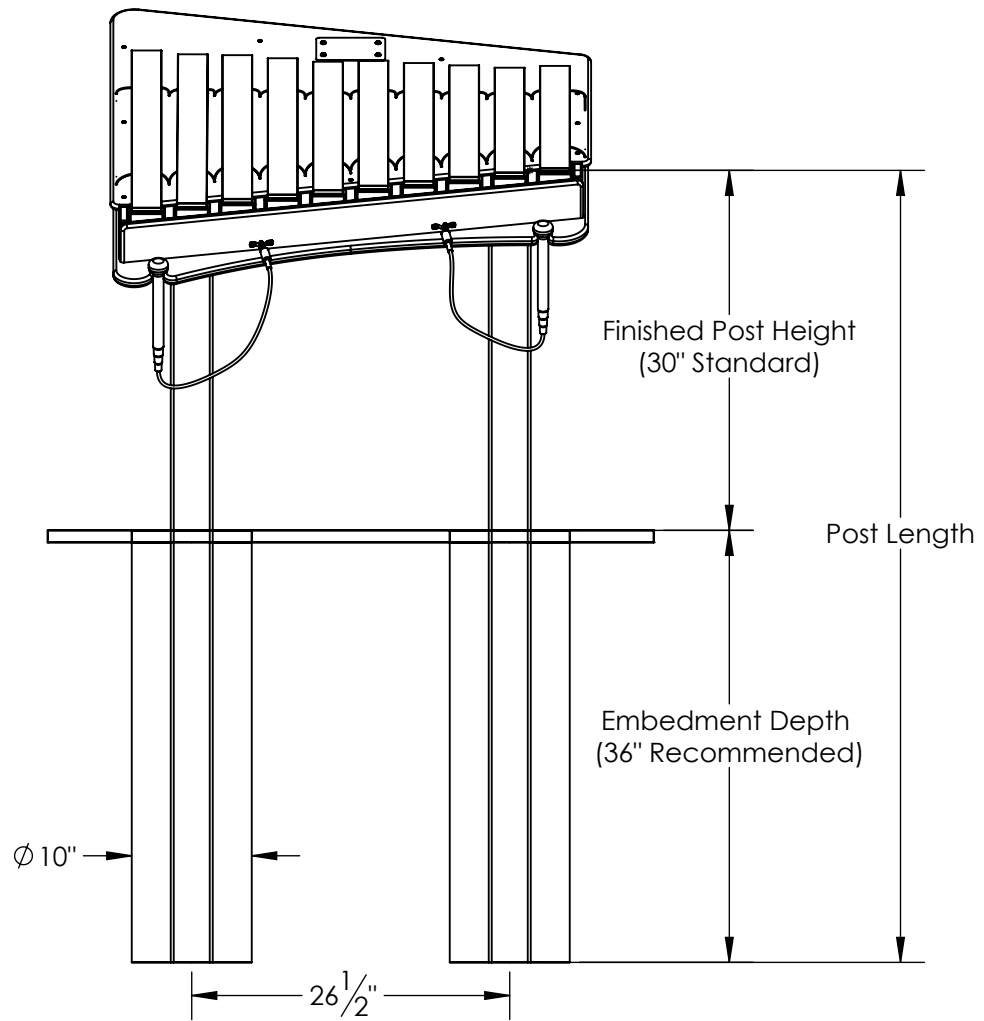
ITEM NO.	DESCRIPTION	STL	REC
1	Pre-Assembly - Yantzee Instrument	1	1
2	Steel Post	2	-
3	Recycled Post	-	2
4	#10 x 3/4" Self Drilling Button Head Screw	8	-
5	#8 x 1-1/4" Button Head Screw	-	8

Step 1: Determine the installation location. A 36" perimeter around the instrument is recommended for wheelchair accessibility. Review the desired finished height. Excavate two 10" holes, at least 36" deep, and spaced 26-1/2" apart measured center-to-center. If a lower height is desired, the post can be cut to length or a deeper embedment depth can be used. Be sure to account for any additional surfacing thickness.

For installations targeting compliance with ASTM F1487: Note that the finished mallet attachment height must not exceed 27" above the underlying surface in order to maintain ASTM compliance.

Step 2: With two people, lower the posts with the instrument attached into the excavated holes. Verify the correct placement, levelness, and finished height of the instrument.

Step 3: Pour concrete around each post. It is recommended to brace the instrument to hold it stable while the concrete cures. Leave to set according to the concrete manufacturer's guidelines. Approximately (6) 80lb. bags will be needed, (3) per post.



Step 1: Determine the installation location. A 36" perimeter around the instrument is recommended for wheelchair accessibility. Review the desired finish height. Standard finished height for Surface Mount Posts is 30". If a shorter height is desired, the posts can be mounted to a recessed concrete pad. Be sure to account for any additional surfacing thickness.

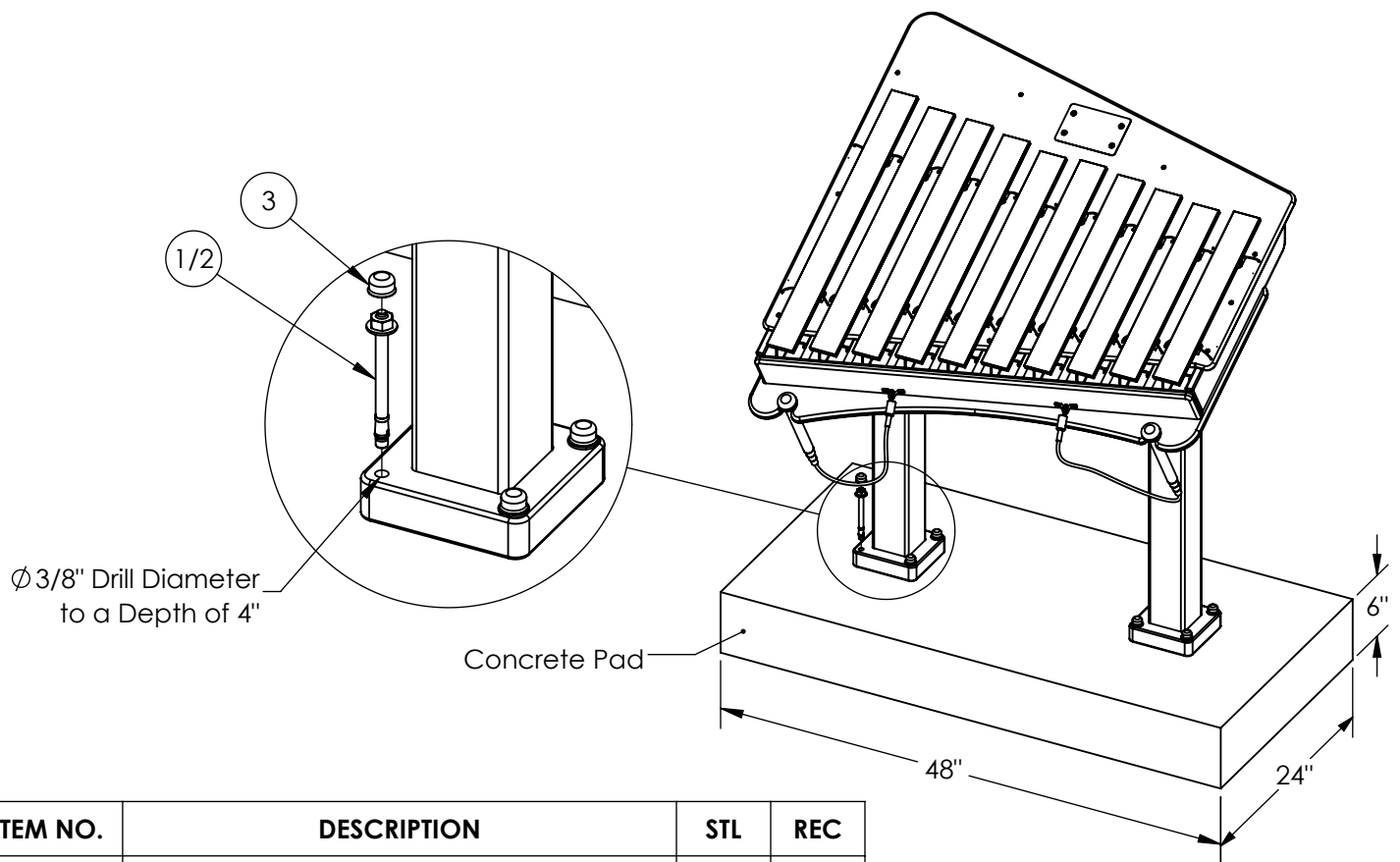
For installations targeting compliance with ASTM F1487: Note that mounting hardware must be covered by surfacing and finished mallet attachment height must not exceed 27" in order to maintain ASTM compliance.

Step 2: Verify concrete pad is a minimum of 48" long x 24" wide x 6" thick. If a new pad is being poured, approximately (7) 80lb. bags will be needed. Allow concrete to cure per the manufacturer's guidelines.

Step 3: With two people, place the instrument onto the concrete pad and mark the center of the holes in the surface mount base. After you have made your marks, set the instrument aside and, with a hammer or rotary drill, drill into the concrete with a 3/8" masonry bit to a minimum depth of 4".

Step 4: Place the instrument back over the drilled holes. Insert the anchor bolts, 3-3/4" long for steel posts and 5" long for recycled posts. Position the anchor nut so that it is flush with the top of the bolt. Pound the anchor bolts into the holes until the washer is flush with the surface mount base. Tighten the anchor bolt nuts until they are snug. Cover the protruding bolt sections with the provided nut caps.

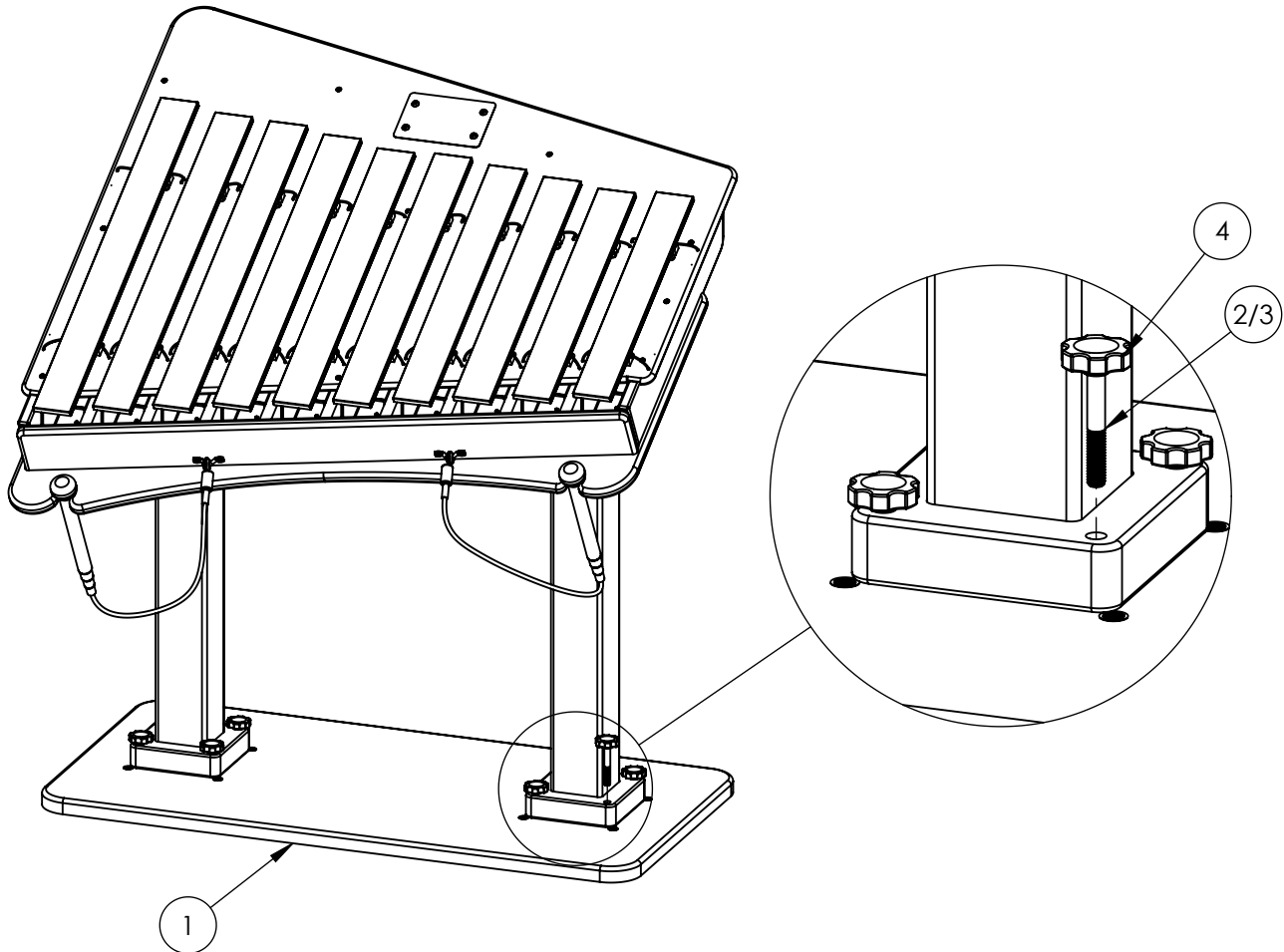
If installing into wet concrete, follow the wet set anchor manufacturer's guidelines for installation.



ITEM NO.	DESCRIPTION	STL	REC
1	3/8"-16 Wedge Expansion Anchor, 3.75"lg.	8	-
2	3/8"-16 Wedge Expansion Anchor, 5"lg.	-	8
3	35/64" Hex Nut Cap	8	8

Step 1: With two people, situate the instrument onto the portable stand and align the holes in the base of the post.

Step 2: While one person holds the instrument steady, secure the instrument to the portable stand with the (8) 3/8"-16 Thumb Screws, 1" long for steel posts and 2-1/2" long for recycled posts.



ITEM NO.	DESCRIPTION	STL	REC
1	Yantzee - Portable Stand, 1" HDPE	1	1
2	3/8"-16 Thumb Screw, 1"lg. SS	8	-
3	3/8"-16 Socket Head Screw, 2.5"lg. SS	-	8
4	3/8" Socket Head Knob	-	8